

ROKINON®

SP

85MM F1.2 INSTRUCTION MANUAL

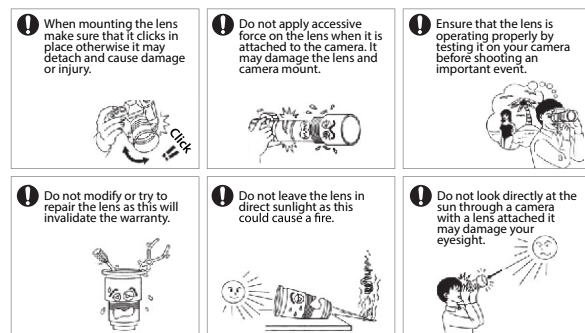


Thank you for purchasing the Rokinon SP 85mm F1.2 Full Frame lens. Its superior performance and high resolution optics have been specifically designed to meet the extreme capabilities of Canon's professional cameras.

ADVANTAGES

- Provides exceedingly high quality stills and video with both Canon Full Frame and APS-C (crop sensor) cameras.
- Its large F1.2 aperture provides enhanced low light capability, faster shutter speeds and super shallow depth field control.
 - Two High Refractive Index lens elements plus a precision aspherical lens element combine to minimize aberrations and increase sharpness.
- Its all metal construction with an ergonomically designed shape and grip deliver a luxurious look, excellent durability and comfortable use.
- For easy use with polarizing and other filters where positioning must be maintained, the filter mount is designed not to rotate when the lens is focused.

⚠ CAUTIONS



To maintain your safety and prevent damage to the lens, please fully familiarize yourself with the following:

- Do not look directly at the sun through the lens as it may seriously impair your vision.
- Do not to apply excessive force when attaching the lens to the camera as it may cause damage to the lens or your camera.
- The lens is a precision optical product, so dropping or excessive impact may cause product failure.

- Attach or detach the lens only while the camera is turned off.
- Protect the lens from water, high humidity, excessive heat and cold.
- Always store the lens with the lens cap on in a dry and well ventilated location out of direct sunlight. Direct sunlight passing through the lens could become concentrated enough to cause a fire.
- Avoid subjecting the lens to drastic temperature changes such as moving from a very cold outdoors location to a warm indoors location. This can cause moisture in the air to condense inside or on the outside of the lens and lead to failure or mold production. Before taking the lens indoors from a cold outdoors location, put the lens in a plastic bag or sealed camera bag and remove it only when the lens has warmed up to room temperature.
- Do not modify or attempt to repair the lens. This may harm the lens or your camera and will void the warranty.

ATTACHING THE LENS

- Remove the rear lens cap and the camera body cap.
- Align the red dot on the lens mount with the index mark (dot) on the lens mount of the camera.
- Do not press the lens release button on the camera when mounting the lens.
- Insert the lens into the camera mount and rotate it clockwise until it “clicks” and locks in place. Do not insert the lens at an angle.
- Remove the front lens cap when you are ready to shoot.

DETACHING THE LENS

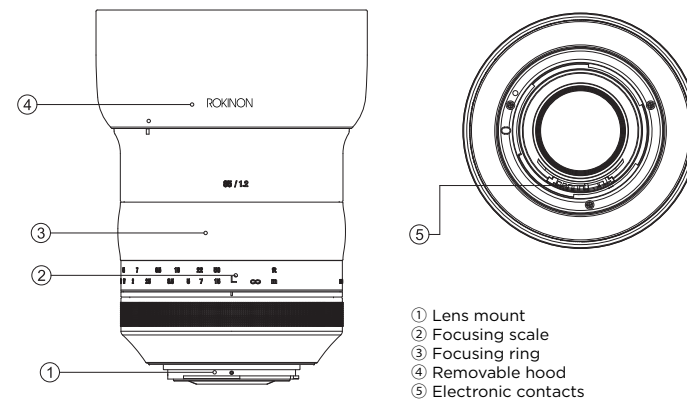
- Attach the front lens cap.
- While holding down the lens release button on the camera body, rotate the lens counterclockwise until it stops and separate the lens from the body.
- Attach the rear lens cap.

FOCUSING

Please note: Check your camera's instruction book as available manual focusing focusing methods will vary depending on the camera model.

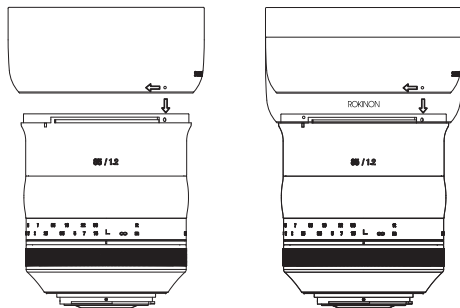
- Set the Focus Mode of your camera to “MF” (Manual Focus). Adjust the focus by rotating the focusing ring on the lens until the focus confirmation indicator in your viewfinder confirms focus or the subject looks the sharpest.
- Another focusing option is to use the magnifying feature of “Live View”. Utilizing the highest magnification available, adjust the focus by rotating the focusing ring until the image on your LCD screen looks

PARTS

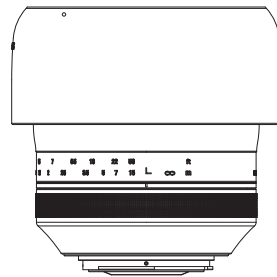


LENS HOOD

The supplied hood is designed specifically for the Rokinson SP 85mm F1.2 lens for optimum effectiveness. It should be used at all times to, provide better contrast and added protection. The only exception is if it blocks the light from a built-in or small electronic flash to cause a shadow at the bottom of the image.



- To mount the hood, align the white dot on the hood with the white dot (NOT the vertical line) on the lens and rotate the hood clockwise until you hear and feel it click in place.
- To remove the hood, grasp it firmly near its base and turn counter clockwise
- You can store the hood in its reverse position for easy transport. Reverse the hood so that it covers the lens barrel and again align the white dot on the hood with the white dot on the lens and rotate the hood clockwise until you hear and feel it click in place.



Hood stored in reverse position

INCLUDED COMPONENTS

- Front lens cap
- Rear lens cap
- Lens hood
- Soft lens pouch
- Instruction manual
- Warranty

CLEANING

Please note: It is extremely important before cleaning to dust off the lens surface using a lens blower or a soft brush to remove any foreign particles or grit that could scratch the lens.

- Using a clean microfiber lens cloth, gently wipe the lens in a circular motion from the center outwards towards the edges of the glass.
- If stubborn spots remain, put only one or two small drops of ethanol or reputable lens cleaner on the microfiber cloth and repeat the circular cleaning process. **DO NOT USE AN ORGANIC SOLVENT SUCH AS PAINT THINNER, ALCOHOL, OR BENZENE.**

PRODUCT SPECIFICATIONS

MODEL		SP 85mm F1.2
MOUNT		Canon
ANGLE OF VIEW	FULL FRAME	28.52°
	APS-C	18.98°
MAXIMUM DIAMETER X LENGTH		3.66" x 3.87" (93mm x 98.4mm)
WEIGHT		37.0oz (1,050g)
APERTURE RANGE		F1.2-16
OPTICAL CONSTRUCTION		10 elements in 7 groups (Including an Aspherical, 2 High Refractive Index)
MINIMUM FOCUSING DISTANCE		31" (0.8m)
MAXIMUM SHOOTING MAGNIFICATION		x 0.13
FILTER SIZE		86mm
NUMBER OF APERTURE BLADES		9

- The minimum focus is the distance from the image sensor to the object.
- The product specifications and design are subject to change without notice.

CONTACT

Elite Brands Inc.
Rokinson Division
New York, NY 10005

Toll Free: 800.441.1100
Phone: 212.947.7100
support@rokinon.com

rokinon.com
facebook.com/rokinonlenses

ROKINON® is a registered trademark of Elite Brands Inc.
©2016, Elite Brands Inc., New York, NY 10005

NOTES

