

ROKINON®



12mm F2.0 Auto Focus SONY E MOUNT Instruction Manual

Thank you for purchasing the Rokinon 12mm F2.0 AF Compact Ultra Wide Angle lens. It is a high performance autofocus optic specially designed to provide optimal quality APS-C still images and video with Sony E mount cameras.

Features

- It will provide a ultra wide 99.1° angle of view that is especially suitable for landscapes, interior, architectural, and night sky applications.
- Autofocusing utilizes a LSM (Linear Stepless Motor) for quiet, and smooth focus that is especially important when recording video.
- The lens comes equipped with a removable hood for added front element protection, and helps prevent contrast reducing flare and glare.

- Twelve elements in ten groups, including a Hybrid-Aspherical, an Aspherical, and three Extra-Low Dispersion special elements plus Ultra Multi Coating, combine to maximize image quality, and contrast even at wide open aperture.

- The IF (Internal Focusing) design prevents both changes in length and front element rotation. This enables the easy use of 62mm polarizers and other filters that require precise positioning.

- Its size, weight and shape have been ergonomically designed to match the compact nature of Sony mirrorless cameras.

- The refined metal chassis offers excellent durability, and is weather sealed to help protect against dust and moisture.

Cleaning

- It is extremely important before cleaning to dust off the lens surface using a lens blower or a soft brush to remove any foreign particles or grit that could scratch the lens.

- For stubborn spots, use only one or two small drops of a reputable lens cleaner on a microfiber cloth, and gently wipe the lens in a circular motion.

DO NOT USE AN ORGANIC SOLVENT SUCH AS PAINT THINNER, ALCOHOL, OR BENZENE.

Cautions

To maintain your safety and prevent damage to the lens, please fully familiarize yourself with the following:

- Do not look directly at the sun through the lens as It may seriously impair your vision.

- Do not to apply excessive force when attaching the lens to the camera as it may cause damage to the lens or your camera.

- The lens is a precision optical product, so dropping or excessive impact may cause product failure.

- Attach or detach the lens only while the camera is turned off.

- Protect the lens from water, high humidity and excessive heat.

- Avoid subjecting the lens to drastic temperature changes such as moving from a very cold outdoors location to a warm indoor location. This can cause moisture in the air to condense inside and on the outside of the lens which can lead to failure or mold production. Before taking the lens indoors from a cold outdoors location, put the lens in a plastic bag or sealed camera bag and remove it only when the lens has warmed up to room temperature.

- Always store the lens with the lens cap on in a dry and well ventilated location out of direct sunlight. Direct sunlight passing through the lens could become concentrated enough to cause a fire.

Attaching/ Detaching the Lens

- Align the index mark on the lens barrel with the index mark on the lens mount of the camera.

- Do not press the lens release button on the camera when mounting the lens.

- Insert the lens into the camera mount and rotate it clockwise until it “clicks” and locks into place. Do not insert the lens at an angle.

- Remove the front lens cap when you are ready to shoot.

- To detach the lens, first attach the front lens cap.

- While holding down the lens release button on the camera body, rotate the lens counterclockwise until it stops, and separate the lens from the body.

- Attach the rear lens cap.

Lens Hood

The supplied hood is designed specifically for the ROKINON AF 12MM F2.0 Compact lens for optimum effectiveness. It should be used at all times to help prevent contrast reducing flare, provide better contrast, and for added protection.

- To mount the hood, align the white index mark (dot) of the hood with the white hood index mark (dot) of the lens, and rotate the hood clockwise until you hear and feel it click into place.

- To remove the hood, grasp it firmly and turn counter- clockwise.

Focusing

Sony mirrorless interchangeable lens cameras offer various methods of focusing. For detailed information regarding the available focus mode settings for your particular model, refer to the instruction manual of your camera.

- AF-S (Single-Shot AF): Autofocus operates when the shutter button is pressed halfway down. Once the subject is in focus, the focus is locked. It is suitable for shooting motionless subjects such as landscapes or snapshots.

- AF-C (Continuous AF): Autofocus continues to operate and keeps adjusting the focus while the shutter button is pressed and held halfway down. It is suitable for shooting moving subjects such as sports.

- AF-A (Automatic AF): When the shutter button is pressed halfway down, the camera automatically recognizes whether the subject is moving or not, and switches the AF mode between AF-S and AF-C accordingly. Use this mode to shoot various subjects at the same time, or to avoid switching the AF mode manually.

- DMF (Direct Manual Focus): Allows you to use manual focus and auto focus in combination. Press the shutter button halfway down to focus automatically. Keep the shutter button halfway down and rotate the focusing ring on the lens to fine focus.

- MF (Manual Focus): Allows you instead of the camera to adjust the focus by rotating the focusing ring on the lens. MF is effective when autofocus does not work well such as in macro shooting.

Product Specifications

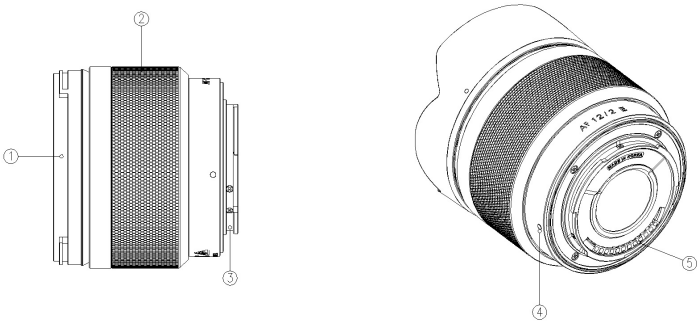
Model Name	IO12AF-E	
Aperture Range	F2.0 ~ 22	
Lens Optical	Construction	12 Elements in 10 Groups
	Special Lenses	1 Hybrid Aspherical + 1 Aspherical + 3 Extra Low Dispersion
Coating	UMC	
Minimum Focusing Distance	7.48in (190mm)	
Magnification Ratio	X 0.09	
Diaphragm Blades	7	
Filter Size	62mm	
Maximum Diameter	2.75in (70.0mm)	
Mount	Sony E	
Lens Hood	Removable	
APS-C Angle of View	99.1°	
Length	2.33in (59.2mm)	
Weight	7.51oz (213g)	
Weather Sealing	Yes	
AF Motor	Linear STM	

- The minimum focus is the distance from the image sensor to the object.
- The product specifications and exterior are subject to change without notice.
- The supported functions of this product may vary according to the camera model.

Included Components

- Instruction Manual / Warranty
- Semi Hard Case
- Front Lens Cap
- Rear Lens Cap

Parts



- ① Hood Mount
- ② Focus Control Ring
- ③ Lens Mount
- ④ White Index Mark
- ⑤ Contacts

Notes

Contacts

Elite Brands Inc.
ROKINON Division
New York, NY 10005

Toll Free: 800.441.1100
Phone: 212.947.7100
support@rokinon.com

rokinon.com
facebook.com/rokinonlenses
instagram.com/rokinon

ROKINON® is a registered trademark of Elite Brands Inc
©2021, Elite Brands Inc., New York, NY 10005

IMPORTANT!
BEFORE SENDING YOUR ROKINON LENS OR ACCESSORY PLEASE CALL 1-800-441-1100 / (212) 947-7100
FOR TECHNICAL SUPPORT TO OBTAIN A WARRANTY AUTHORIZATION #

1. If the product on the right is determined to be defective a warranty authorization number will be provided.
2. Please include a copy of this document with all information filled in and dated proof of purchase.
3. Pack the equipment carefully with sufficient cushioning material and ship it prepaid and insured for its full value to:
ELITE BRANDS INC., Attn: Service Dept., 40 Wall Street, 61st Floor, New York, NY 10005

ROKINON U.S.A. LIMITED ONE YEAR WARRANTY

Your ROKINON product of the model and serial number on the right is warranted by Elite Brands Inc. against defective workmanship or materials for one full year from the date of purchase.

Elite Brands Inc. will at its option, either repair or replace equipment which is returned prepaid and insured to the address above. The product must be accompanied by the original sales slip showing proof of date of purchase and a copy of the Certificate of Quality with all of the required information filled in. On examination if the product has been damaged in transit, abused or is out of warranty, we will contact you with an estimate of the cost of service.

This warranty does not apply to equipment or accessories not manufactured or imported by Elite Brands Inc., or if the equipment is out of warranty, or has been damaged in transit, by accident, abuse (including, but not limited to, sand, dirt, water, liquid, impact, etc.), or failure to follow operating or maintenance instructions, or if the equipment has been modified or serviced by anyone other than Elite Brands Inc. This warranty only covers manufacturer defects as deemed by Elite Brands Inc.

SOME STATES DO NOT ALLOW CERTAIN CONDITIONS ON THE REPAIR OF WARRANTIED PRODUCTS, SO THE ABOVE MAY NOT APPLY TO YOU.

This U.S.A. Limited One Year Warranty applies only to ROKINON lenses and accessories imported to the U. S. A, by Elite Brands Inc. and sold by an authorized Rokinon dealer. Elite Brands Inc. may, at its sole discretion, refuse to honor the warranty of any unauthorized product that is presented for repair.

THE FOREGOING WARRANTY IS ELITE BRAND INC.'S ONLY WARRANTY WITH RESPECT TO THE PRODUCT AND ELITE BRANDS INC. MAKES NO OTHER WARRANTY WHATSOEVER, EXPRESS OR IMPLIED, REGARDING THE PRODUCT INCLUDING MERCHANTABILITY AND FITNESS FOR A PARTICULAR PURPOSE. IN NO EVENT WILL ELITE BRANDS INC. OR ROKINON INC. BE LIABLE FOR INCIDENTAL, CONSEQUENTIAL OR SPECIAL DAMAGES, EVEN IF SUCH DAMAGES RESULT FROM NEGLIGENCE OR OTHER FAULT.

Some states do not allow the exclusion or limitation of incidental or consequential damages, so the above limitations or exclusions may not apply to you.

This warranty gives you specific legal rights and you may also HAVE OTHER RIGHTS WHICH VARY FROM STATE TO STATE. ADDRESS ALL INQUIRIES CONCERNING THE ABOVE TO: ELITE BRANDS INC., ATTN: WARRANTY SERVICE 40 Wall Street, 61st Floor, New York, NY 10005 USA.
Email: support@rokinon.com Phone: (212) 947 7100

Date of Purchase _____ Purchased From _____
Name _____ Address _____
Phone # _____ Email Address _____

ROKINON®
Technology by Samyang Optics

Certificate of Quality

Thank you or Purchasing a Rokinon product. Rokinon lenses and accessories are renowned worldwide to deliver the performance required and exceptional value appreciated by both professional and beginner photographer/videographers. This certificate assures that the Rokinon product model and serial number below were manufactured by Samyang Optics in South Korea and incorporates their latest technology, attention to quality and detail.

Director Taeyoung Kang
Quality Control Team

Rokinon Optics Distributed by Elite Brands Inc

40 Wall Street, 61st Floor
New York, NY 10005 USA
Web: www.rokinon.com
Email: Support@rokinon.com
Phone: (212) 947-7100 / (800) 441-1100