

# ESC Specifications

Input Voltage: 3.0~13.5V DCIN(1~3SLiPo)

Constant Current: 15A

Peak Current: 17A

BEC Ouput: No

MCU: 48MHz EFM8BB21F16G

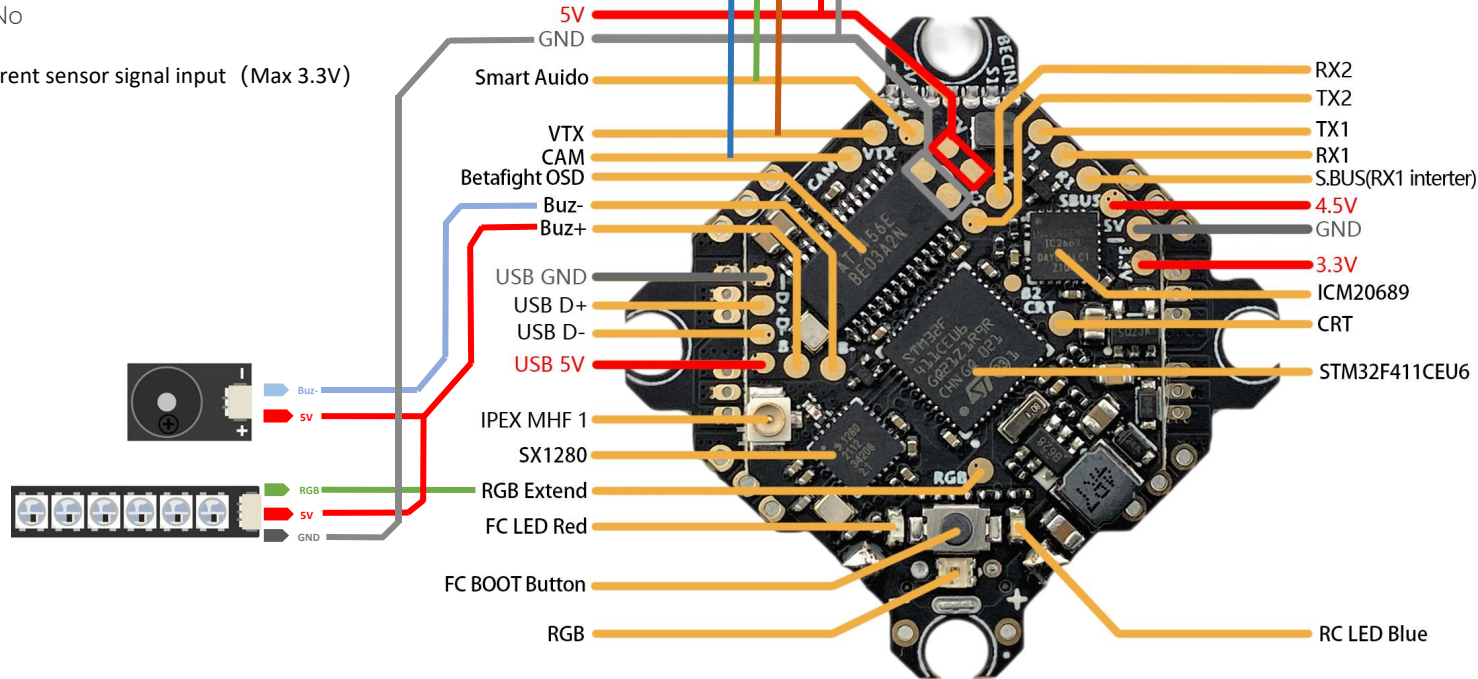
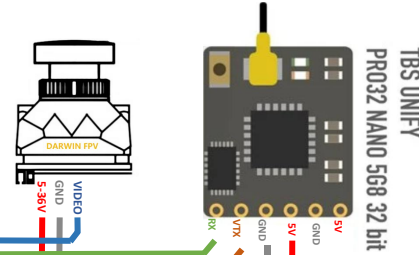
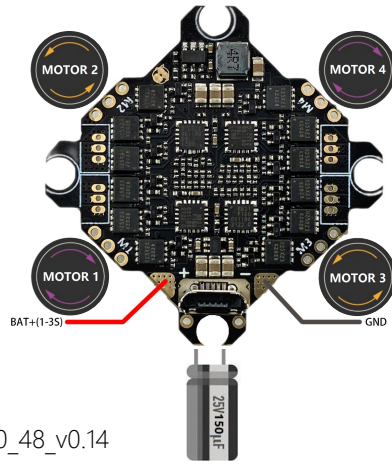
Protocol:DSHOT/Oneshot/MultiShot

BLHeli\_S Firmware target: Bluejay\_S\_H\_50\_48\_v0.14

Telemetry:No

Current Sensor:No

CRT: External current sensor signal input (Max 3.3V)



# FC Specifications

MCU: STM32F411CEU6(100MHz)

IMU: ICM-20689(SPI)

Baro: No

Blackbox: No

OSD:AT7456E

Firmware target:

betaflight\_4.3.0\_BETAFPVF4SX1280

2x Uarts(1,2)

1x SBUS(RX1 inverter)

1x Softserial\_TX option

1x External USB solder pad

1x CRT(Current)

1x BUZZ

1x RGB