

# NC BLOCK COMPONENTS INDEX

PAGE	DATE	NAAMS CODE	DESCRIPTION
<a href="#">0-1</a>	02/12/14		NC Block Components Index
<a href="#">0-1.1</a>	02/12/14		NC Block Components Index
<a href="#">0-2</a>	02/12/14	ANI080 – ANI083	NC Blocks Blanks, I-Shaped, 3-Hole x 80
<a href="#">0-3</a>	02/12/14	ANI084 – ANI087	NC Blocks Blanks, I-Shaped, 4-Hole x 80
<a href="#">0-4</a>	02/12/14	ANI120 – ANI123	NC Blocks Blanks, I-Shaped, 3-Hole x 120
<a href="#">0-5</a>	02/12/14	ANI126 – ANI129	NC Blocks Blanks, I-Shaped, 4-Hole x 120
<a href="#">0-6</a>	02/12/14	ANL060 – ANL061	NC Blocks Blanks, L-Shaped, 3-Hole x 60
<a href="#">0-7</a>	02/12/14	ANL062 – ANL063	NC Blocks Blanks, L-Shaped, 3-Hole x 60
<a href="#">0-8</a>	02/12/14	ANL064 – ANL065	NC Blocks Blanks, L-Shaped, 4-Hole x 60
<a href="#">0-9</a>	02/12/14	ANL066 – ANL067	NC Blocks Blanks, L-Shaped, 4-Hole x 60
<a href="#">0-10</a>	02/12/14	ANL100 – ANL101	NC Blocks Blanks, L-Shaped, 3-Hole x 100
<a href="#">0-11</a>	02/12/14	ANL102 – ANL103	NC Blocks Blanks, L-Shaped, 3-Hole x 100
<a href="#">0-12</a>	02/12/14	ANL104 – ANL105	NC Blocks Blanks, L-Shaped, 4-Hole x 100
<a href="#">0-13</a>	02/12/14	ANL106 – ANL107	NC Blocks Blanks, L-Shaped, 4-Hole x 100
<a href="#">0-14</a>	02/12/14	ANR130 – ANR137	NC Blocks Blanks, Rectangular, 3-Hole
<a href="#">0-15</a>	02/12/14	ANR140 – ANR147	NC Blocks Blanks, Rectangular, 4-Hole
<a href="#">0-16</a>	02/12/14	ANR230 – ANR233	NC Blocks Blanks, Rectangular, 3-Hole
<a href="#">0-17</a>	02/12/14	ANR240 – ANR243	NC Blocks Blanks, Rectangular, 4-Hole
<a href="#">0-18</a>	07/25/08	ANI381 – ANI383 ANI391 – ANI392	NC Blocks Blanks, I-Shaped, 3-Hole x 80, 20 mm
<a href="#">0-19</a>	02/12/14	ANI384 – ANI387	NC Blocks Blanks, I-Shaped, 4-Hole x 80, 20 mm
<a href="#">0-20</a>	07/25/08	ANI421 – ANI425	NC Blocks Blanks, I-Shaped, 3-Hole x 120, 20 mm
<a href="#">0-21</a>	02/12/14	ANI426 – ANI429	NC Blocks Blanks, I-Shaped, 4-Hole x 120, 20 mm
<a href="#">0-22</a>	07/25/08	ANL361 – ANL363 ANL368 – ANL369	NC Blocks Blanks, L-Shaped, 3-Hole x 60, 20 mm
<a href="#">0-23</a>	02/12/14	ANL364 – ANL365	NC Blocks Blanks, L-Shaped, 4-Hole x 60, 20 mm
<a href="#">0-24</a>	02/12/14	ANL366 – ANL367	NC Blocks Blanks, L-Shaped, 4-Hole x 60, 20 mm
<a href="#">0-25</a>	07/25/08	ANL401 – ANL403 ANL408 – ANL409	NC Blocks Blanks, L-Shaped, 3-Hole x 100, 20 mm
<a href="#">0-26</a>	02/12/14	ANL404 – ANL405	NC Blocks Blanks, L-Shaped, 4-Hole x 100, 20 mm
<a href="#">0-27</a>	02/12/14	ANL406 – ANL407	NC Blocks Blanks, L-Shaped, 4-Hole x 100, 20 mm
<a href="#">0-28</a>	07/25/08	ANR431 – ANR437 ANR448 – ANR451	NC Blocks Blanks, Rectangular, 3-Hole, 20 mm
<a href="#">0-29</a>	02/12/14	ANR440 – ANR447	NC Blocks Blanks, Rectangular, 4-Hole, 20 mm
<a href="#">0-30</a>	07/25/08	ANR531 – ANR535	NC Blocks Blanks, Rectangular, 3-Hole, 20 mm
<a href="#">0-31</a>	02/12/14	ANR540 – ANR543	NC Blocks Blanks, Rectangular, 4-Hole, 20 mm


# NC BLOCK COMPONENTS INDEX

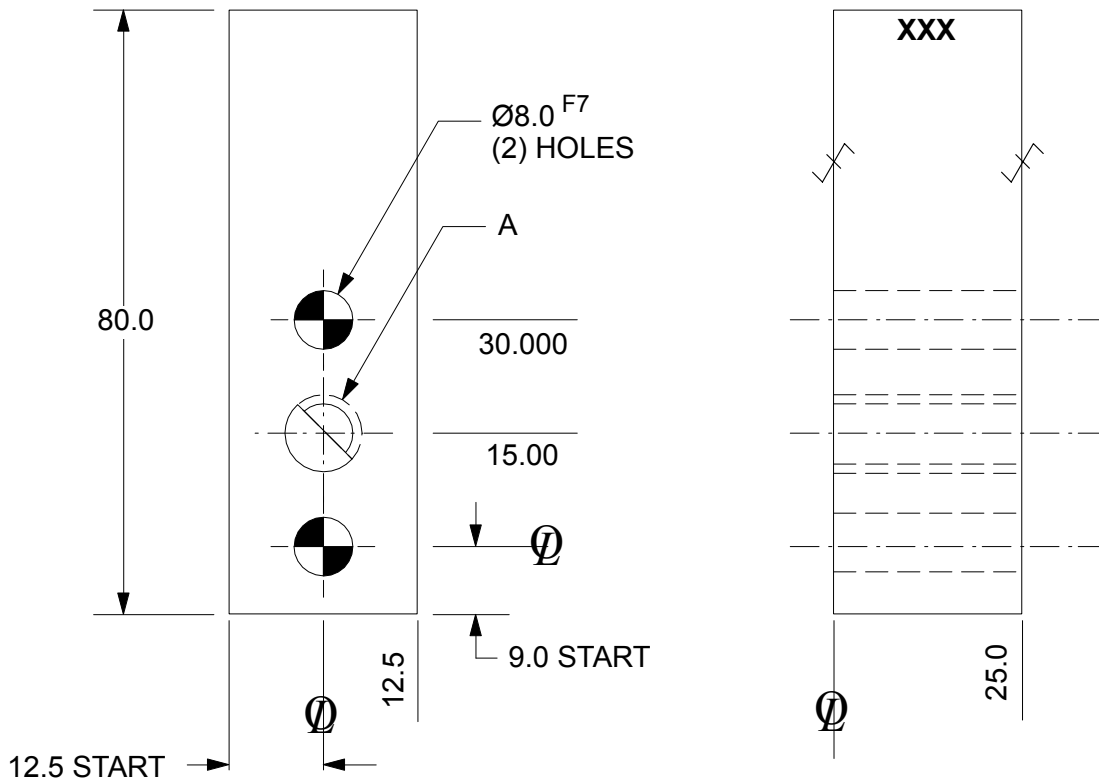
<b>PAGE</b>	<b>DATE</b>	<b>NAAMS CODE</b>	<b>DESCRIPTION</b>
<a href="#">0-32</a>	02/12/14	ANI206 - ANI209	NC BLANKS 20mm SERIES
<a href="#">0-33</a>	02/12/14	ANI201 - ANI204	NC BLANKS 20mm SERIES
<a href="#">0-34</a>	02/12/14	ANI216 - ANI219	NC BLANKS 20mm SERIES
<a href="#">0-35</a>	02/12/14	ANI211 - ANI214	NC BLANKS 20mm SERIES
<a href="#">0-36</a>	02/12/14	ANL215 - ANL218	NC BLANKS 20mm SERIES
<a href="#">0-37</a>	02/12/14	ANL211 - ANL212	NC BLANKS 20mm SERIES
<a href="#">0-38</a>	02/12/14	ANL221 - ANL222	NC BLANKS 20mm SERIES
<a href="#">0-39</a>	02/12/14	ANL225 - ANL228	NC BLANKS 20mm SERIES
<a href="#">0-40</a>	02/12/14	ANL311 - ANL312	NC BLANKS 20mm SERIES
<a href="#">0-41</a>	02/12/14	ANL411 - ANL412	NC BLANKS 20mm SERIES
<a href="#">0-42</a>	02/12/14	ANR600 - ANR607	NC BLANKS 20mm SERIES
<a href="#">0-43</a>	02/12/14	ANR301 - ANR308	NC BLANKS 20mm SERIES
<a href="#">0-44</a>	02/12/14	ANR320 - ANR323	NC BLANKS 20mm SERIES
<a href="#">0-45</a>	02/12/14	ANR311 - ANR314	NC BLANKS 20mm SERIES

# NC BLOCK BLANKS

## ANI080, 081, 082, 083

Tolerances: 1 PLACE  $\pm 0.3$   
 2 PLACE  $\pm 0.03$   
 3 PLACE  $\pm 0.020$

 SURFACES TO BE FLAT, PARALLEL &  
 PERPENDICULAR TO WITHIN 0.015 T.I.R.  
 NOTE: Identify with NAAMS CODE number as shown **XXX**.  
 Black Oxide Finish  
 No Black Oxide Finish to "SS Type" Components



SEE PAGE B-1.1 FOR GLOBAL MATERIALS CHART

NAAMS CODE	A	MATERIAL	WT. kg
ANI080	M10 x 1.5	STEEL SAE 4140	0.39
ANI081	M10 x 1.5	SS type 303 or 304	0.39
ANI082	11.0	STEEL SAE 4140	0.39
ANI083	11.0	SS type 303 or 304	0.39

E

A

D

B

C

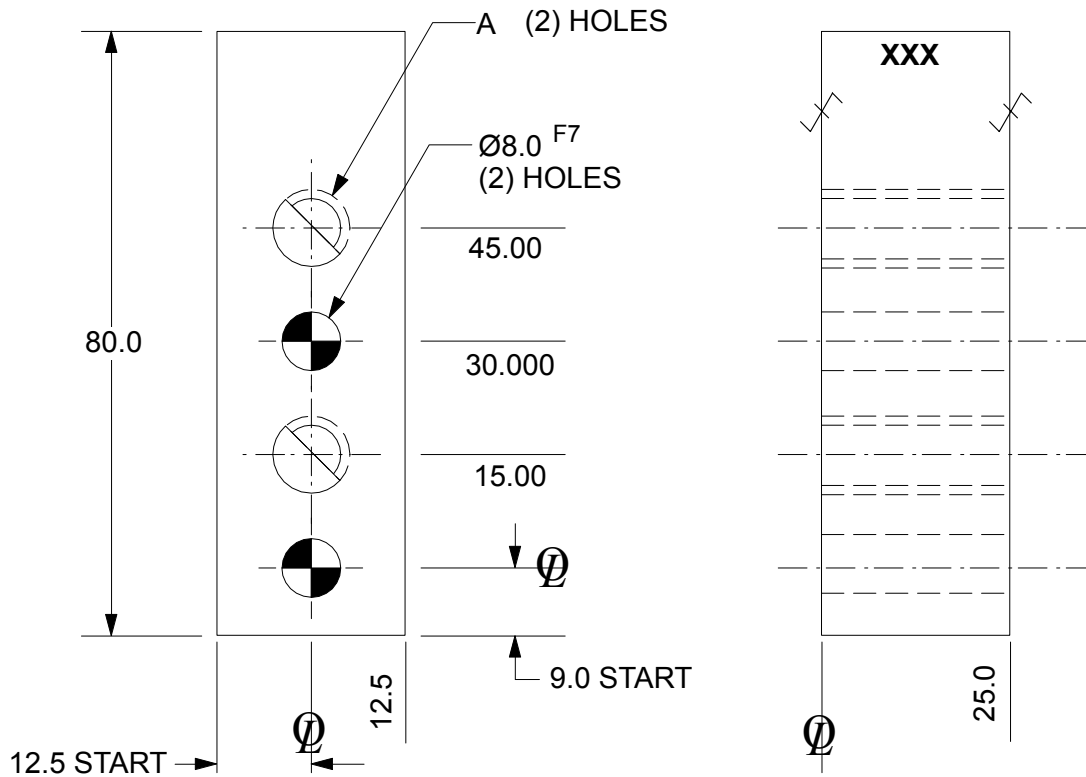
# NC BLOCK BLANKS

## ANI084, 085, 086, 087

Tolerances: 1 PLACE  $\pm 0.3$   
 2 PLACE  $\pm 0.03$   
 3 PLACE  $\pm 0.020$

✓ SURFACES TO BE FLAT, PARALLEL &  
 PERPENDICULAR TO WITHIN 0.015 T.I.R.

NOTE: Identify with NAAMS CODE number as shown **XXX**.  
 Black Oxide Finish  
 No Black Oxide Finish to "SS Type" Components



E

A

SEE PAGE B-1.1 FOR GLOBAL MATERIALS CHART

NAAMS CODE	A	MATERIAL	WT. kg
ANI084	M10 x 1.5	STEEL SAE 4140	0.39
ANI085	M10 x 1.5	SS type 303 or 304	0.39
ANI086	$\varnothing 11.0$	STEEL SAE 4140	0.39
ANI087	$\varnothing 11.0$	SS type 303 or 304	0.39

D

B

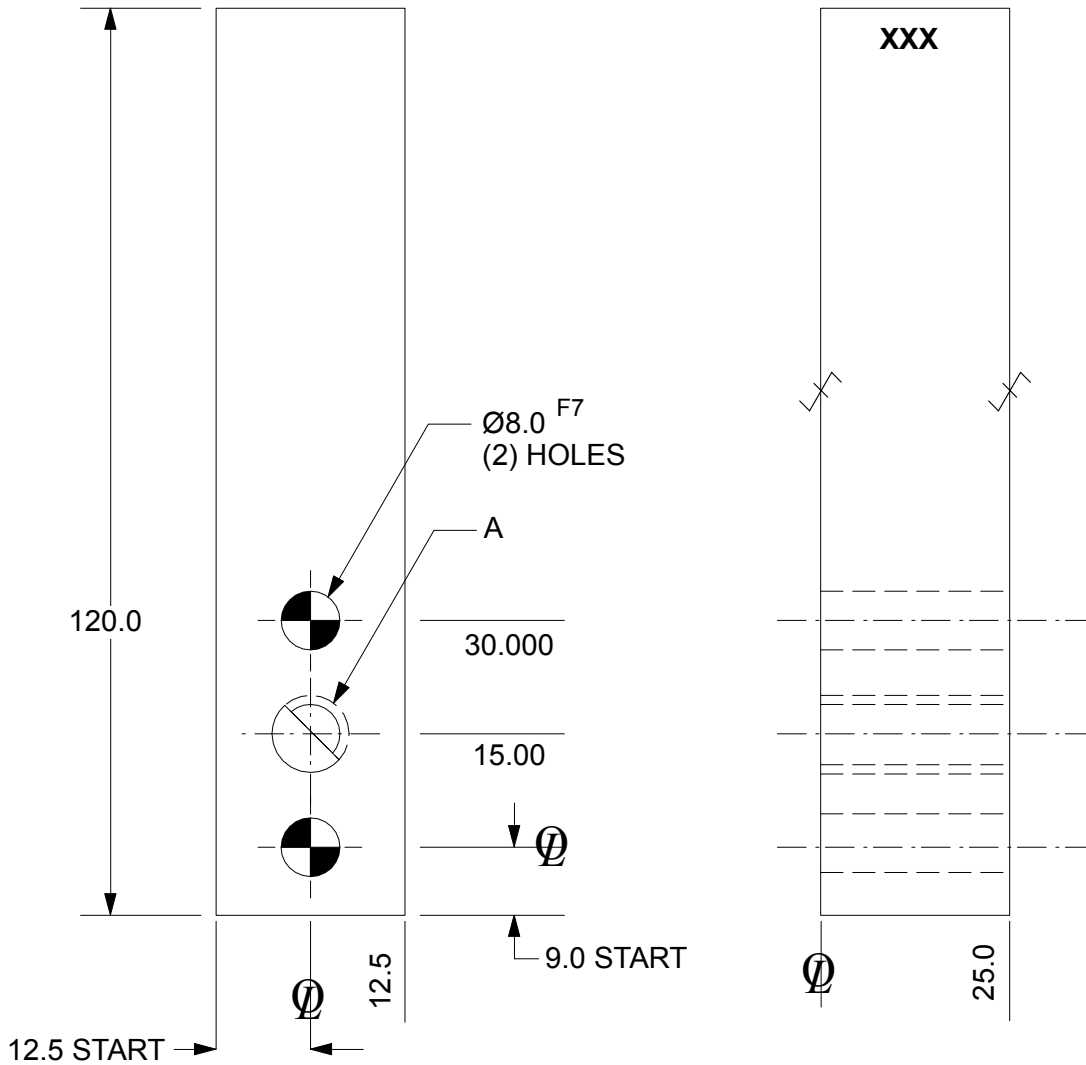
C

# NC BLOCK BLANKS

## ANI120, 121, 122, 123

Tolerances: 1 PLACE  $\pm 0.3$   
 2 PLACE  $\pm 0.03$   
 3 PLACE  $\pm 0.020$

✓ SURFACES TO BE FLAT, PARALLEL & PERPENDICULAR TO WITHIN 0.015 T.I.R.  
 NOTE: Identify with NAAMS CODE number as shown **XXX**.  
 Black Oxide Finish  
 No Black Oxide Finish to "SS Type" Components



SEE PAGE B-1.1 FOR GLOBAL MATERIALS CHART

NAAMS CODE	A	MATERIAL	WT. kg
ANI120	M10 x 1.5	STEEL SAE 4140	0.59
ANI121	M10 x 1.5	SS type 303 or 304	0.59
ANI122	$\varnothing 11.0$	STEEL SAE 4140	0.59
ANI123	$\varnothing 11.0$	SS type 303 or 304	0.59

E

A

D


B

C

# NC BLOCK BLANKS

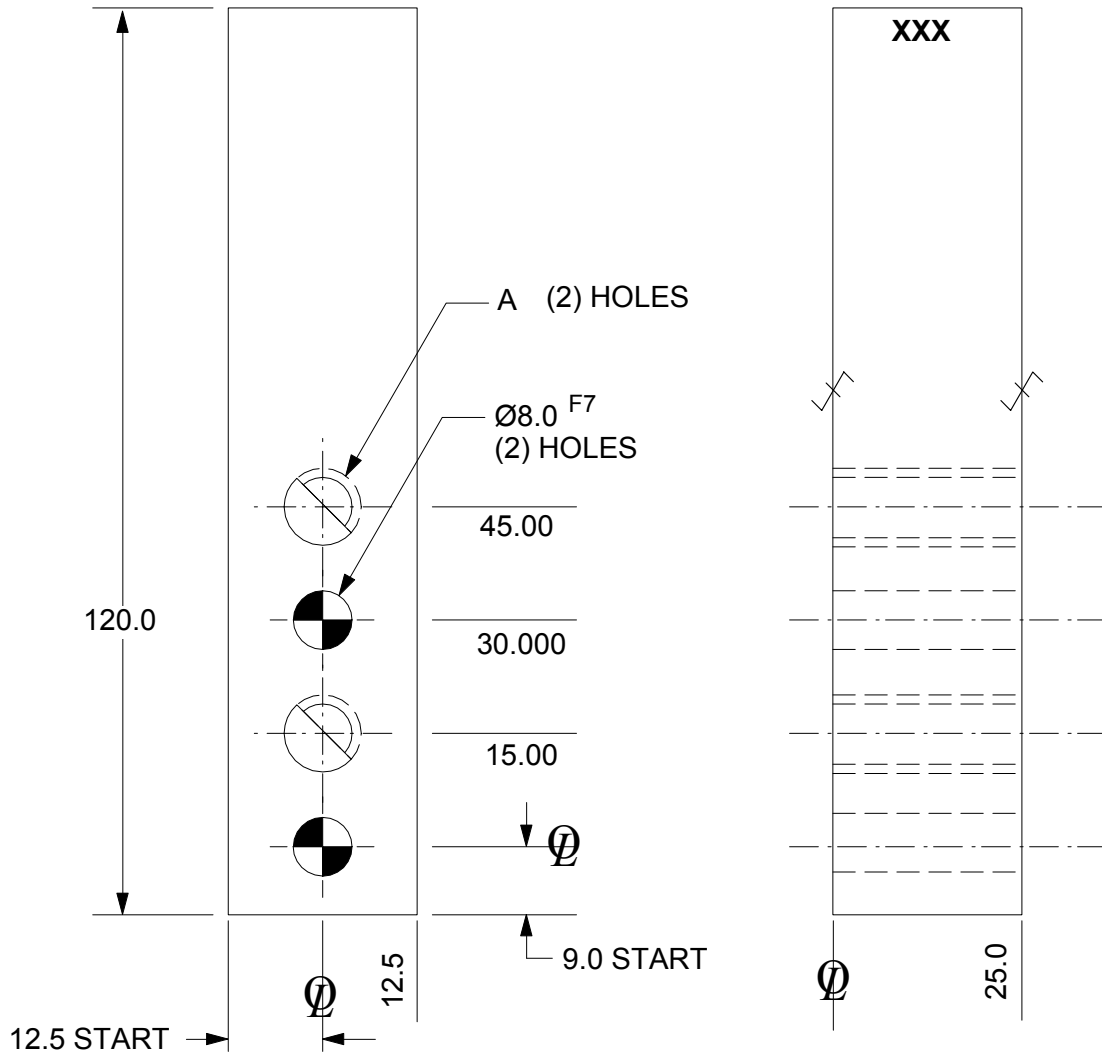
## ANI126, 127, 128, 129

Tolerances: 1 PLACE  $\pm 0.3$   
 2 PLACE  $\pm 0.03$   
 3 PLACE  $\pm 0.020$

 SURFACES TO BE FLAT, PARALLEL & PERPENDICULAR TO WITHIN 0.015 T.I.R.

NOTE: Identify with NAAMS CODE number as shown **XXX**.  
 Black Oxide Finish  
 No Black Oxide Finish to "SS Type" Components

D



SEE PAGE B-1.1 FOR GLOBAL MATERIALS CHART


NAAMS CODE	A	MATERIAL	WT. kg
ANI126	M10 x 1.5	STEEL SAE 4140	0.59
ANI127	M10 x 1.5	SS type 303 or 304	0.59
ANI128	$\text{Ø}11.0$	STEEL SAE 4140	0.59
ANI129	$\text{Ø}11.0$	SS type 303 or 304	0.59

C  
A  
B

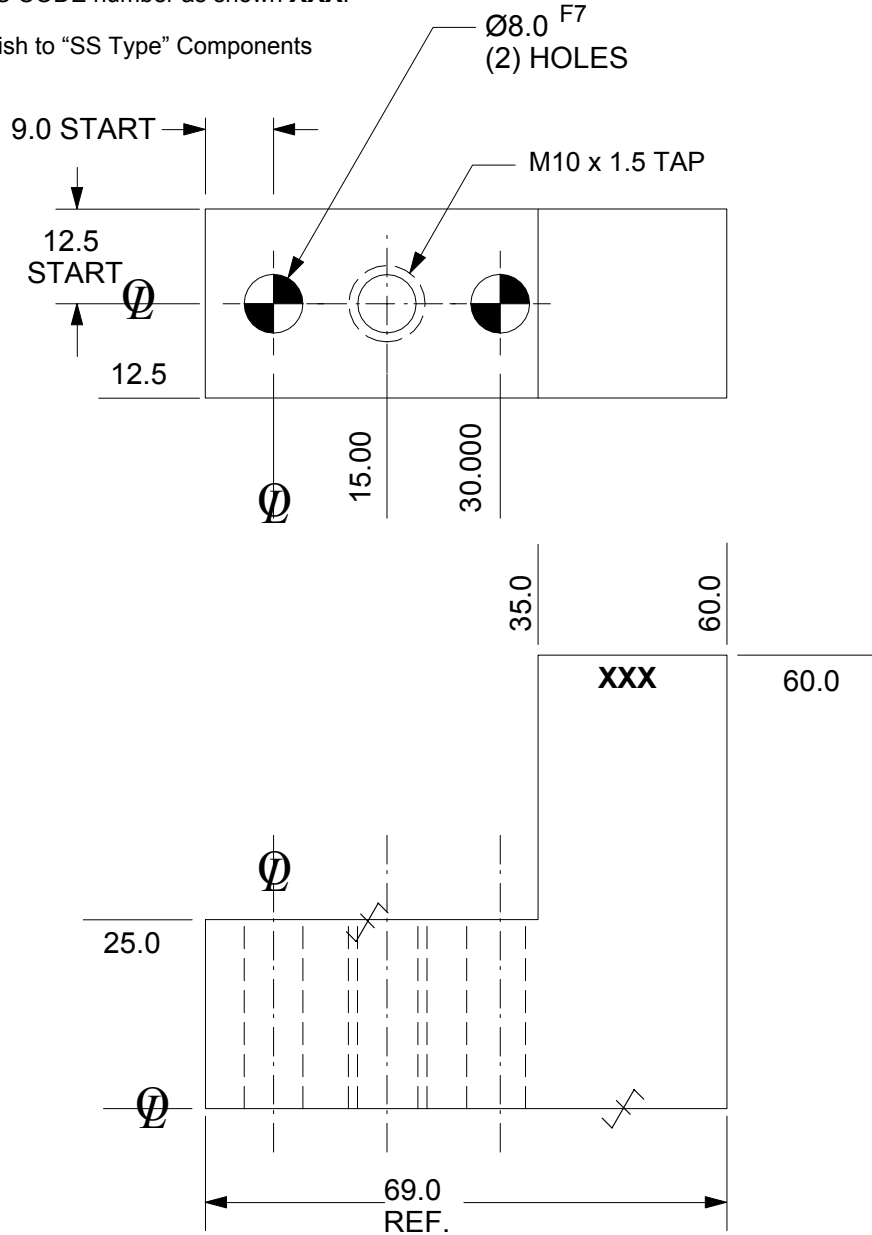
# NC BLOCK BLANKS

## ANL060, 061

Tolerances: 1 PLACE  $\pm 0.3$   
 2 PLACE  $\pm 0.03$   
 3 PLACE  $\pm 0.020$

 SURFACES TO BE FLAT, PARALLEL &  
 PERPENDICULAR TO WITHIN 0.015 T.I.R.

NOTE: Identify with NAAMS CODE number as shown **XXX**.  
 Black Oxide Finish  
 No Black Oxide Finish to "SS Type" Components



D

SEE PAGE B-1.1 FOR GLOBAL MATERIALS CHART

NAAMS CODE	MATERIAL	WT. kg
ANL060	STEEL SAE 4140	0.50
ANL061	SS type 303 or 304	0.50

C  
A  
B

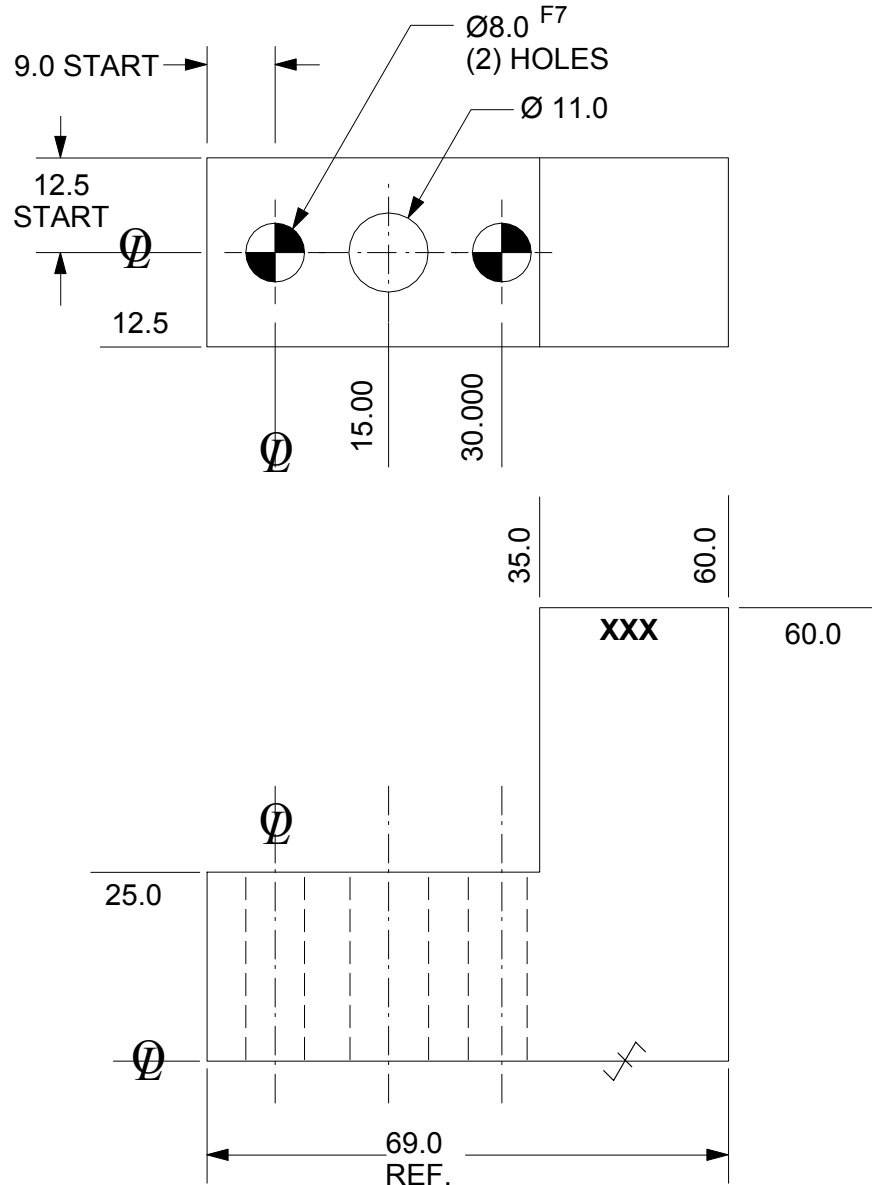
# NC BLOCK BLANKS ANL062, 063

Tolerances: 1 PLACE  $\pm 0.3$   
 2 PLACE  $\pm 0.03$   
 3 PLACE  $\pm 0.020$

✓ SURFACES TO BE FLAT, PARALLEL &  
 PERPENDICULAR TO WITHIN 0.015 T.I.R.

NOTE: Identify with NAAMS CODE number as shown **XXX**.  
 Black Oxide Finish  
 No Black Oxide Finish to "SS Type" Components

**D**



SEE PAGE B-1.1 FOR GLOBAL MATERIALS CHART

NAAMS CODE	MATERIAL	WT. kg
ANL062	STEEL SAE 4140	0.50
ANL063	SS type 303 or 304	0.50

**C**  
**A**  
**B**





# NC BLOCK BLANKS ANL066, 067

GLOBAL STANDARD COMPONENTS



Assembly

02/12/14

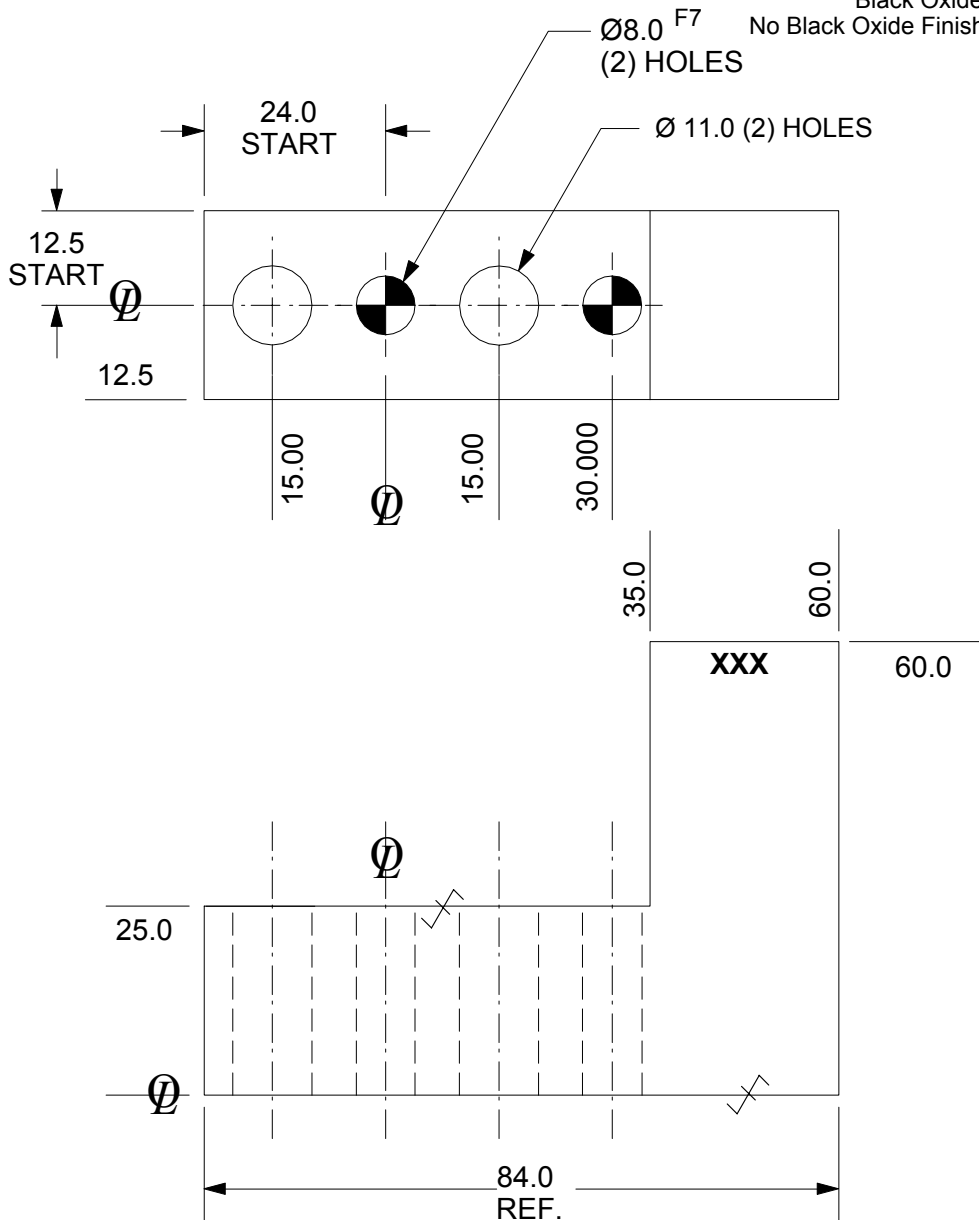
Tolerances: 1 PLACE  $\pm 0.3$   
2 PLACE  $\pm 0.03$   
3 PLACE  $\pm 0.020$

SURFACES TO BE FLAT, PARALLEL & PERPENDICULAR TO WITHIN 0.015 T.I.R.

NOTE: Identify with NAAMS CODE number as shown **XXX**.

Black Oxide Finish

No Black Oxide Finish to "SS Type" Components



**D**

SEE PAGE B-1.1 FOR GLOBAL MATERIALS CHART

NAAMS CODE	MATERIAL	WT. kg
ANL066	STEEL SAE 4140	0.59
ANL067	SS type 303 or 304	0.59

**C**  
**A**  
**B**

# NC BLOCK BLANKS ANL100, 101

GLOBAL STANDARD COMPONENTS



Assembly

02/12/14

Tolerances: METRIC

1 PLACE  $\pm 0.3$

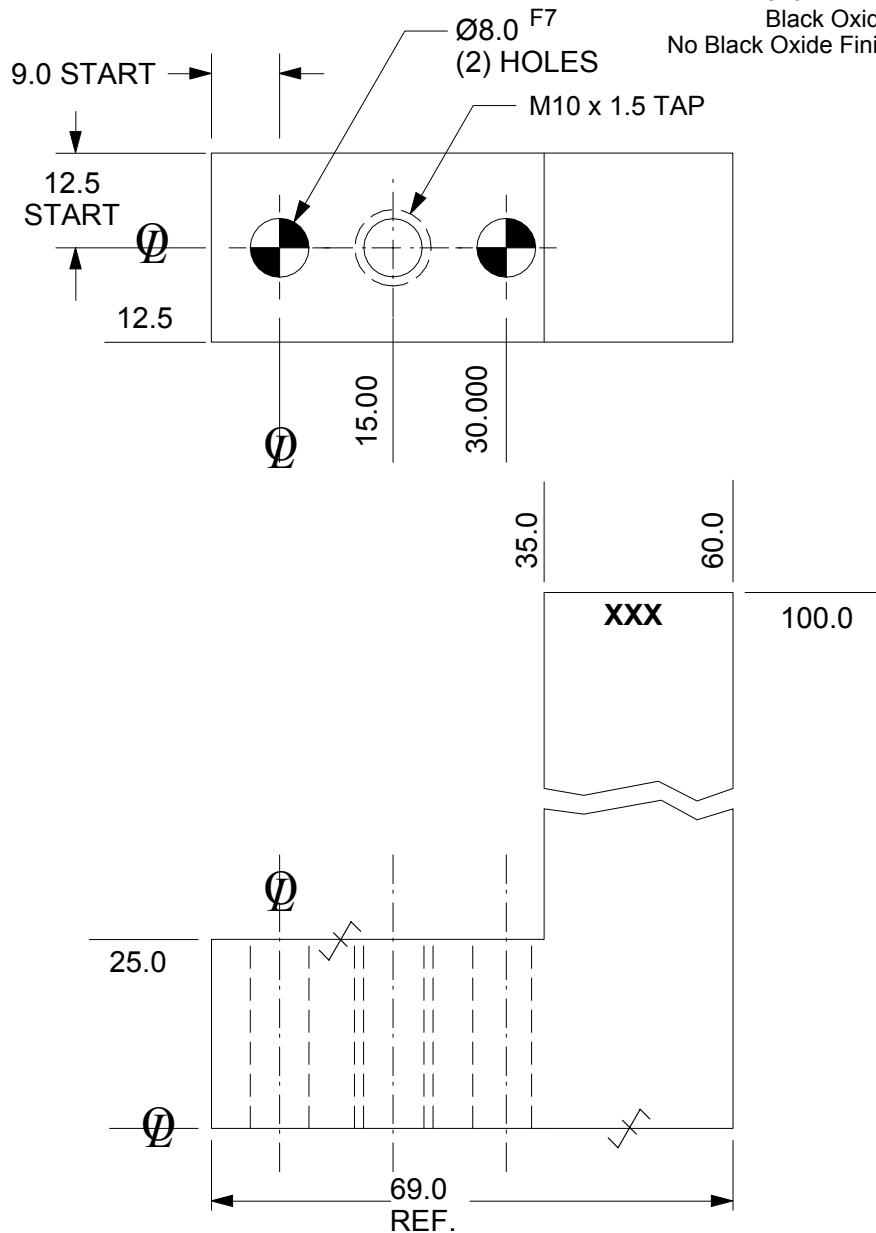
2 PLACE  $\pm 0.03$

3 PLACE  $\pm 0.020$

SURFACES TO BE FLAT, PARALLEL & PERPENDICULAR TO WITHIN 0.015mm T.I.R.  
NOTE: Identify with NAAMS CODE number as shown **XXX**.

Black Oxide Finish

No Black Oxide Finish to "SS Type" Components



SEE PAGE B-1.1 FOR GLOBAL MATERIALS CHART

NAAMS CODE	MATERIAL	WT. kg
ANL100	STEEL SAE 4140	0.68
ANL101	SS type 303 or 304	0.68

**D**

**C**  
**A**  
**B**

# NC BLOCK BLANKS

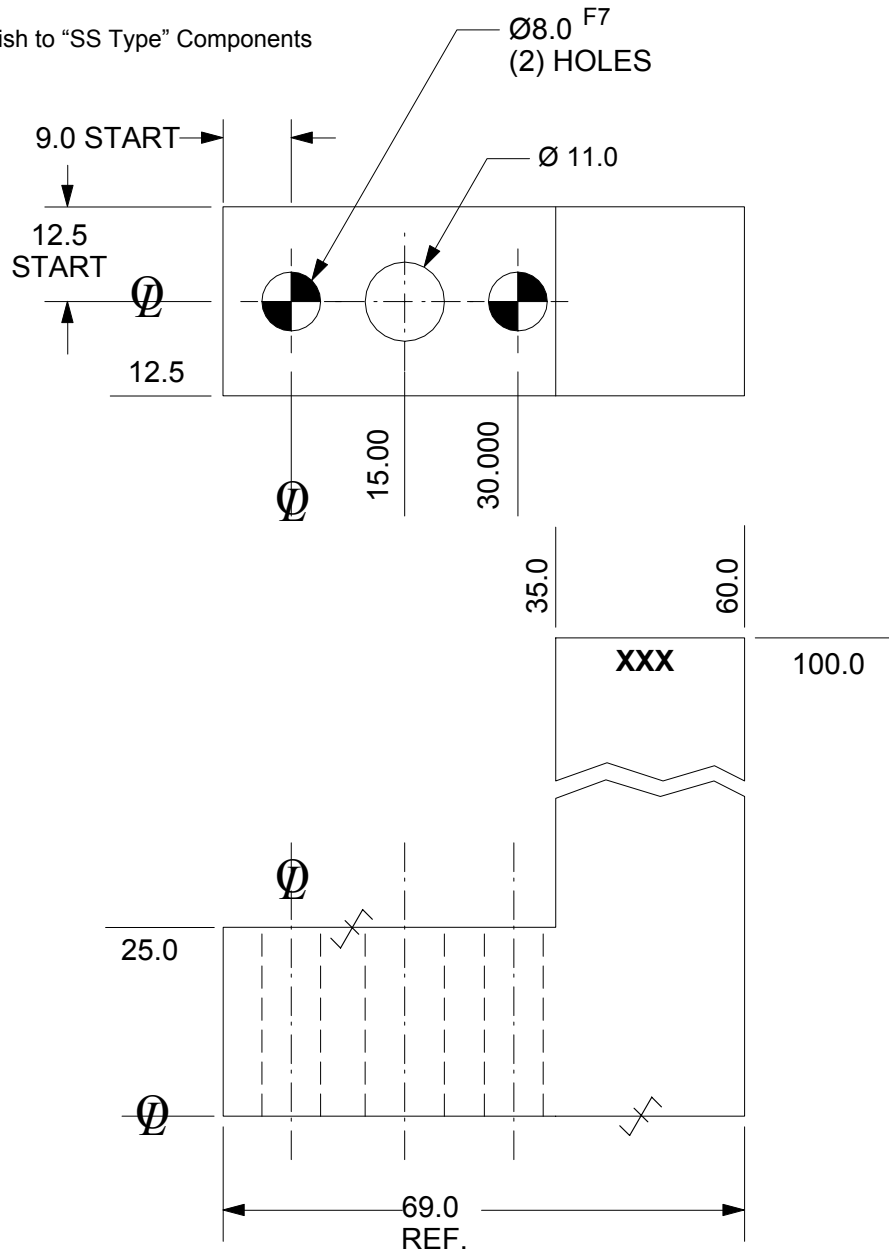
## ANL102, 103

Tolerances: 1 PLACE  $\pm 0.3$   
 2 PLACE  $\pm 0.03$   
 3 PLACE  $\pm 0.020$

✓ SURFACES TO BE FLAT, PARALLEL & PERPENDICULAR TO WITHIN 0.015 T.I.R.

NOTE: Identify with NAAMS CODE number as shown **XXX**.

Black Oxide Finish  
 No Black Oxide Finish to "SS Type" Components



D


SEE PAGE B-1.1 FOR GLOBAL MATERIALS CHART

NAAMS CODE	MATERIAL	WT. kg
ANL102	STEEL SAE 4140	0.68
ANL103	SS type 303 or 304	0.68

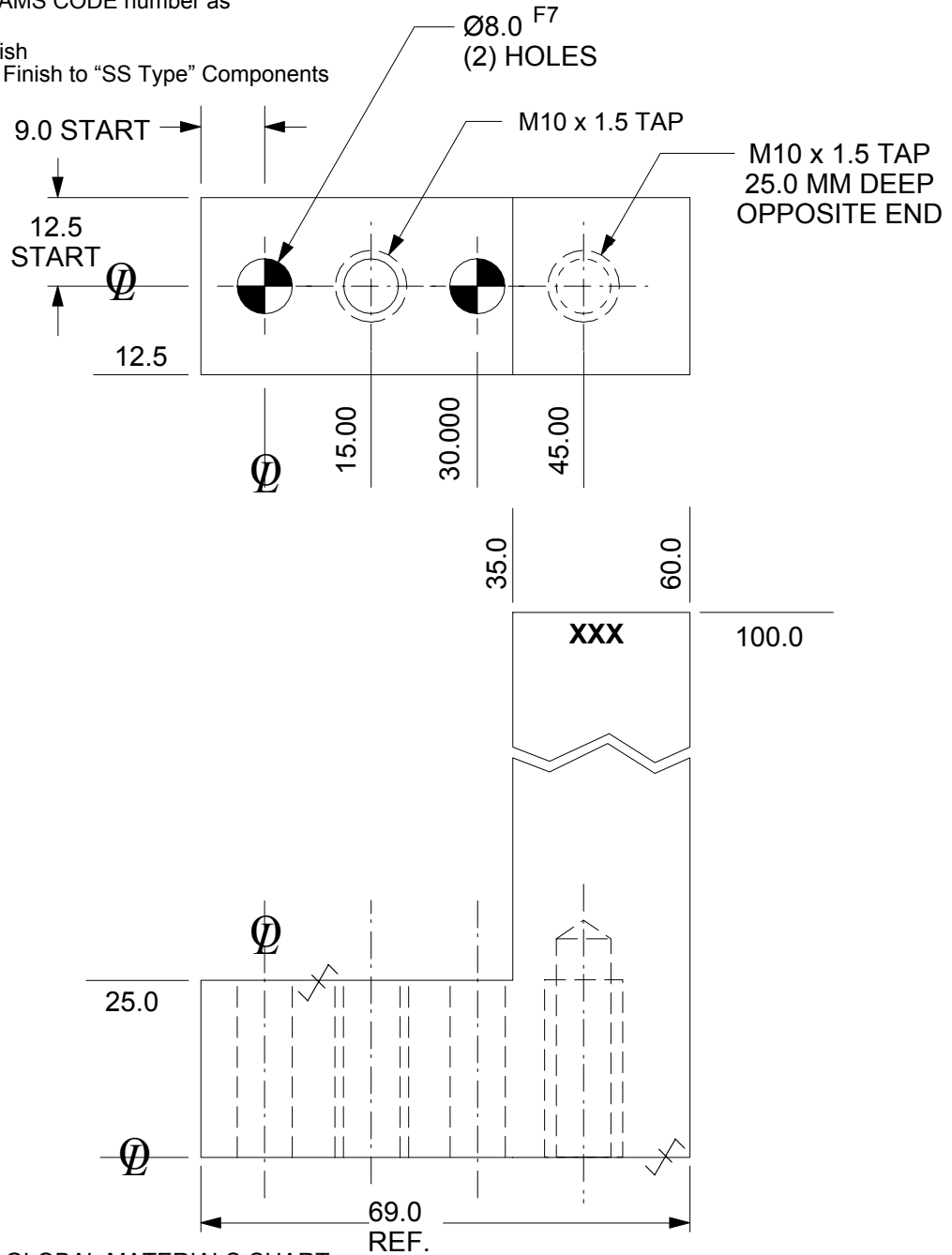
C  
A  
B

# NC BLOCK BLANKS ANL104, 105

Tolerances: 1 PLACE  $\pm 0.3$   
 2 PLACE  $\pm 0.03$   
 3 PLACE  $\pm 0.020$

 SURFACES TO BE FLAT, PARALLEL & PERPENDICULAR TO WITHIN 0.015 T.I.R.

NOTE: Identify with NAAMS CODE number as shown **XXX**.  
 Black Oxide Finish  
 No Black Oxide Finish to "SS Type" Components



SEE PAGE B-1.1 FOR GLOBAL MATERIALS CHART

NAAMS CODE	MATERIAL	WT. kg
ANL104	STEEL SAE 4140	0.68
ANL105	SS type 303 or 304	0.68

D

C

A

B

# NC BLOCK BLANKS ANL106, 107



Assembly

02/12/14

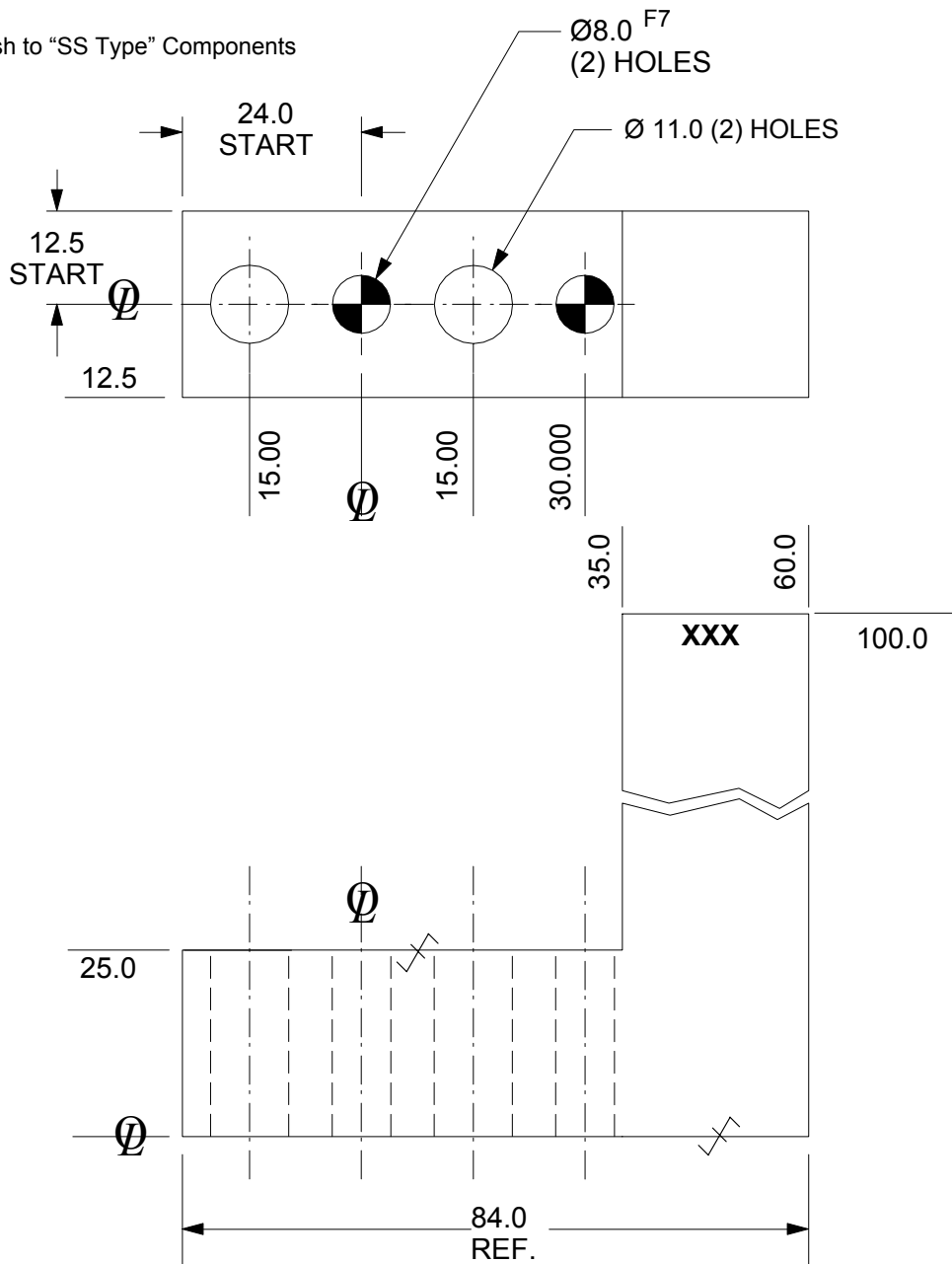
Tolerances: 1 PLACE  $\pm 0.3$   
2 PLACE  $\pm 0.03$   
3 PLACE  $\pm 0.020$

✓ SURFACES TO BE FLAT, PARALLEL & PERPENDICULAR TO WITHIN 0.015 T.I.R.

NOTE: Identify with NAAMS CODE number as shown **XXX**.

Black Oxide Finish

No Black Oxide Finish to "SS Type" Components



D

SEE PAGE B-1.1 FOR GLOBAL MATERIALS CHART

NAAMS CODE	MATERIAL	WT. kg
ANL106	STEEL SAE 4140	0.77
ANL107	SS type 303 or 304	0.77

C


A

B

# NC BLOCK BLANKS ANR130 THRU 137

Tolerances: METRIC

- 1 PLACE  $\pm 0.3$
- 2 PLACE  $\pm 0.03$
- 3 PLACE  $\pm 0.020$

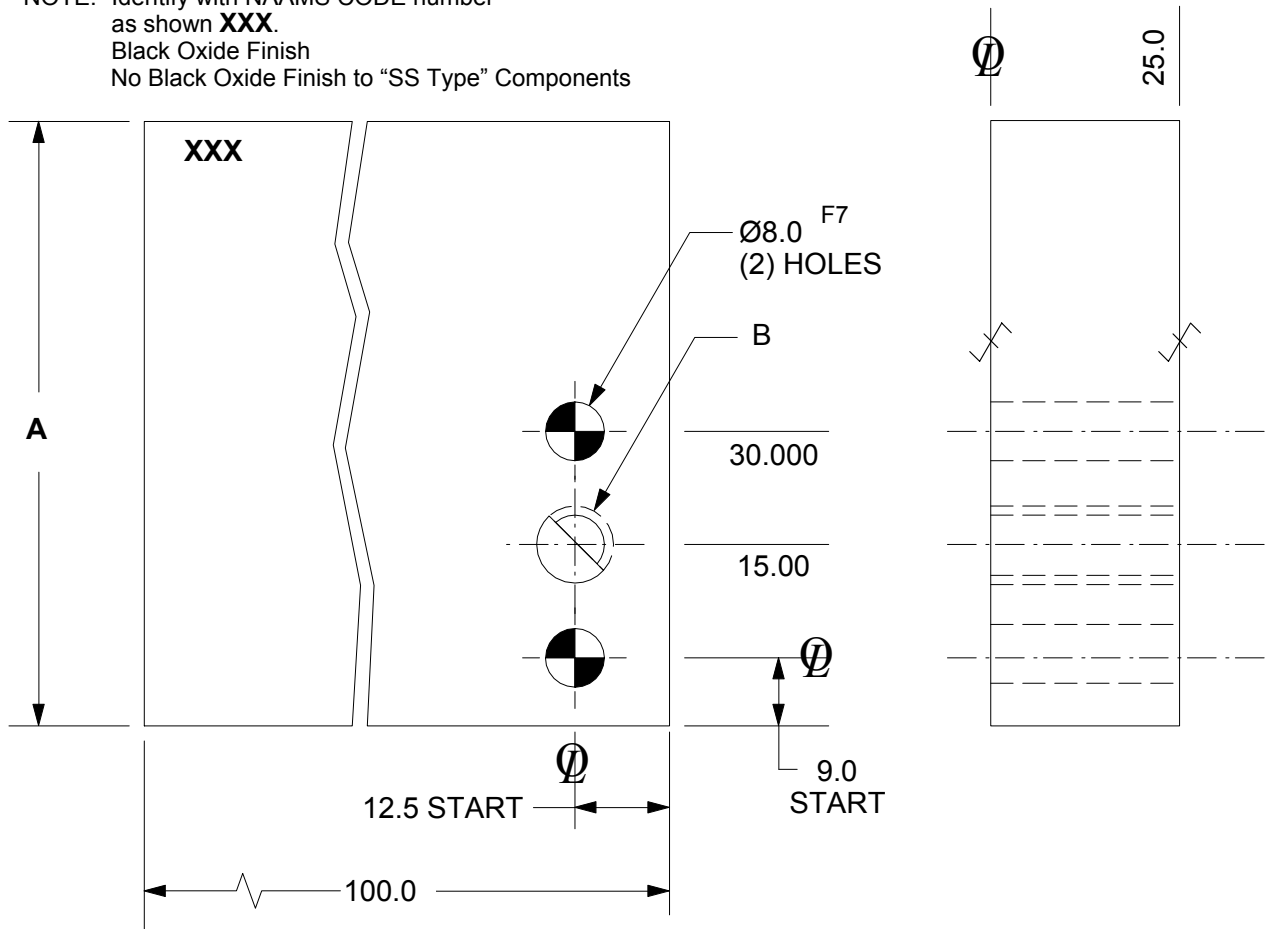
 SURFACES TO BE FLAT, PARALLEL & PERPENDICULAR TO WITHIN 0.015 T.I.R.

MATERIAL: STEEL

NOTE: Identify with NAAMS CODE number as shown **XXX**.

Black Oxide Finish

No Black Oxide Finish to "SS Type" Components



SEE PAGE B-1.1 FOR GLOBAL MATERIALS CHART

NAAMS CODE	A	B	MATERIAL	WT. kg
ANR130	80.0	M10 X 1.5	STEEL SAE 4140	1.5
ANR131	80.0	M10 X 1.5	SS type 303 or 304	1.5
ANR132	80.0	$\varnothing 11.0$	STEEL SAE 4140	1.5
ANR133	80.0	$\varnothing 11.0$	SS type 303 or 304	1.5
ANR134	120.0	M10 X 1.5	STEEL SAE 4140	2.3
ANR135	120.0	M10 X 1.5	SS type 303 or 304	2.3
ANR136	120.0	$\varnothing 11.0$	STEEL SAE 4140	2.3
ANR137	120.0	$\varnothing 11.0$	SS type 303 or 304	2.3

D

C

A

B

# NC BLOCK BLANKS ANR140 THRU 147

GLOBAL STANDARD COMPONENTS



Assembly

02/12/14

Tolerances: METRIC

1 PLACE  $\pm 0.3$

2 PLACE  $\pm 0.03$

3 PLACE  $\pm 0.020$

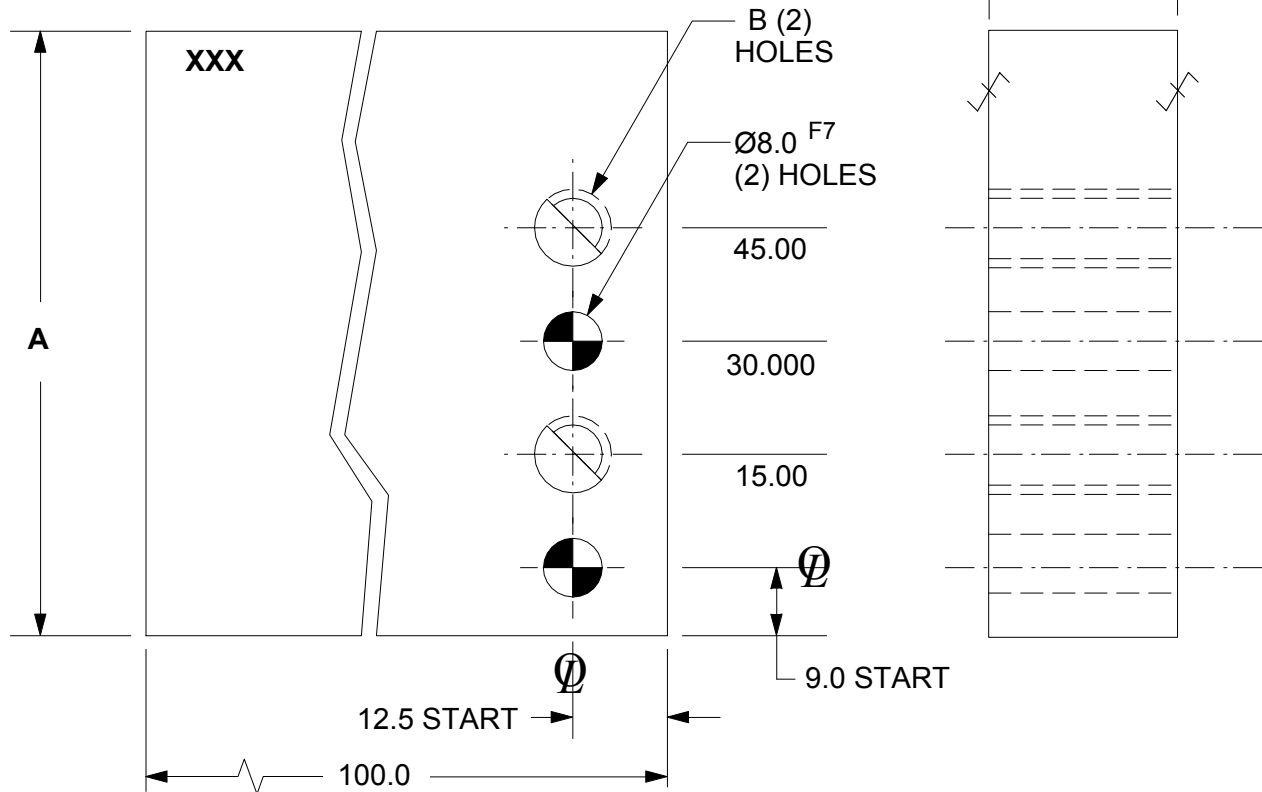
✓ SURFACES TO BE FLAT, PARALLEL & PERPENDICULAR TO WITHIN 0.015 T.I.R.

MATERIAL: STEEL

NOTE: Identify with NAAMS CODE number as shown **XXX**.

Black Oxide Finish

No Black Oxide Finish to "SS Type" Components



D

SEE PAGE B-1.1 FOR GLOBAL MATERIALS CHART

NAAMS CODE	A	B	MATERIAL	WT. kg
ANR140	80.0	M10 X 1.5	STEEL SAE 4140	1.5
ANR141	80.0	M10 X 1.5	SS type 303 or 304	1.5
ANR142	80.0	Ø11.0	STEEL SAE 4140	1.5
ANR143	80.0	Ø11.0	SS type 303 or 304	1.5
ANR144	120.0	M10 X 1.5	STEEL SAE 4140	2.3
ANR145	120.0	M10 X 1.5	SS type 303 or 304	2.3
ANR146	120.0	Ø11.0	STEEL SAE 4140	2.3
ANR147	120.0	Ø11.0	SS type 303 or 304	2.3

C

A


B



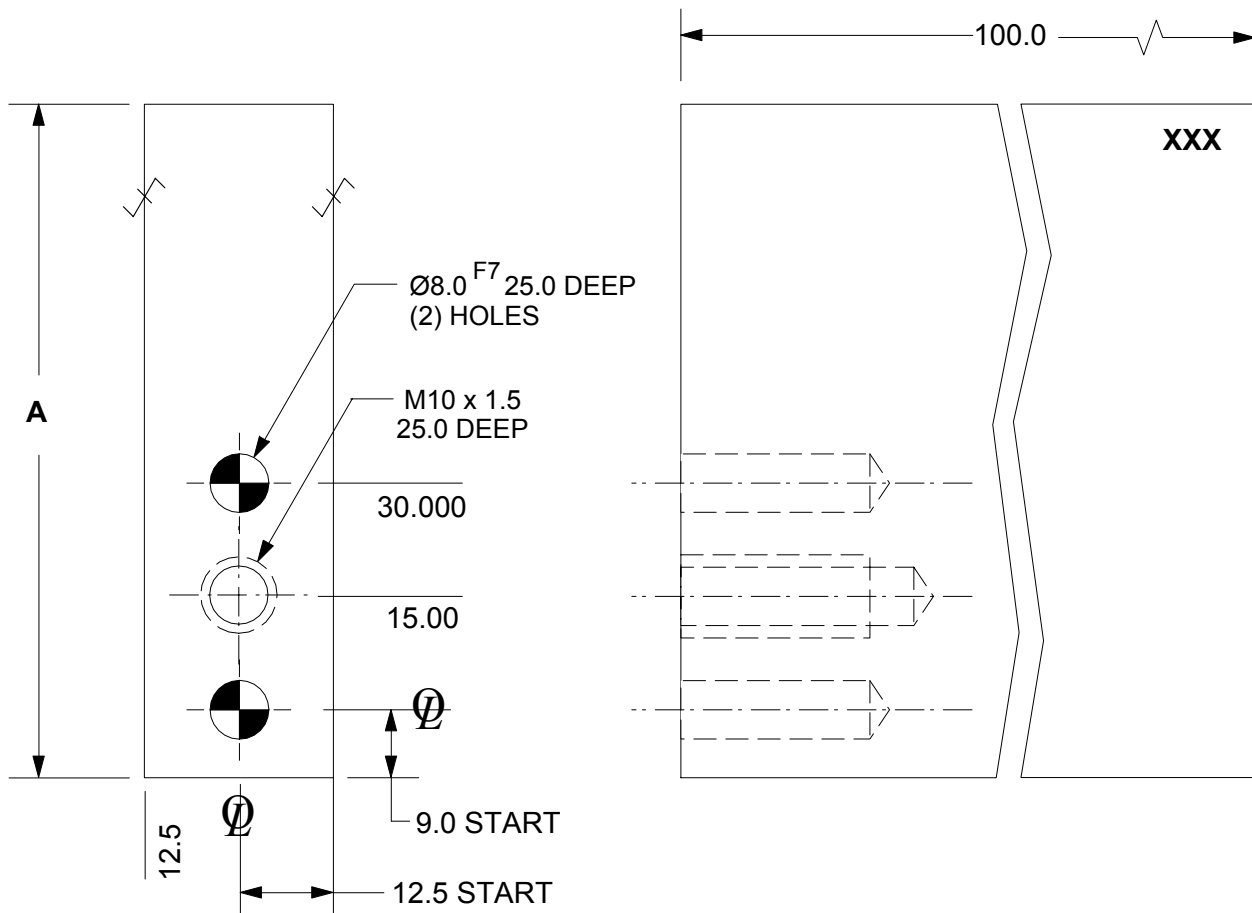
# NC BLOCK BLANKS ANR230 THRU 233

Tolerances: METRIC

- 1 PLACE  $\pm 0.3$
- 2 PLACE  $\pm 0.03$
- 3 PLACE  $\pm 0.020$

 SURFACES TO BE FLAT, PARALLEL &  
 PERPENDICULAR TO WITHIN 0.015 T.I.R.  
 MATERIAL: STEEL

NOTE: Identify with NAAMS CODE number as shown **XXX**.  
 Black Oxide Finish  
 No Black Oxide Finish to "SS Type" Components



SEE PAGE B-1.1 FOR GLOBAL MATERIALS CHART

NAAMS CODE	A	MATERIAL	WT. kg
ANR230	80.0	STEEL SAE 4140	1.5
ANR231	80.0	SS type 303 or 304	1.5
ANR232	120.0	STEEL SAE 4140	2.3
ANR233	120.0	SS type 303 or 304	2.3


D

C  
A  
B

# NC BLOCK BLANKS ANR240 THRU 243

Tolerances: METRIC

- 1 PLACE  $\pm 0.3$
- 2 PLACE  $\pm 0.03$
- 3 PLACE  $\pm 0.020$

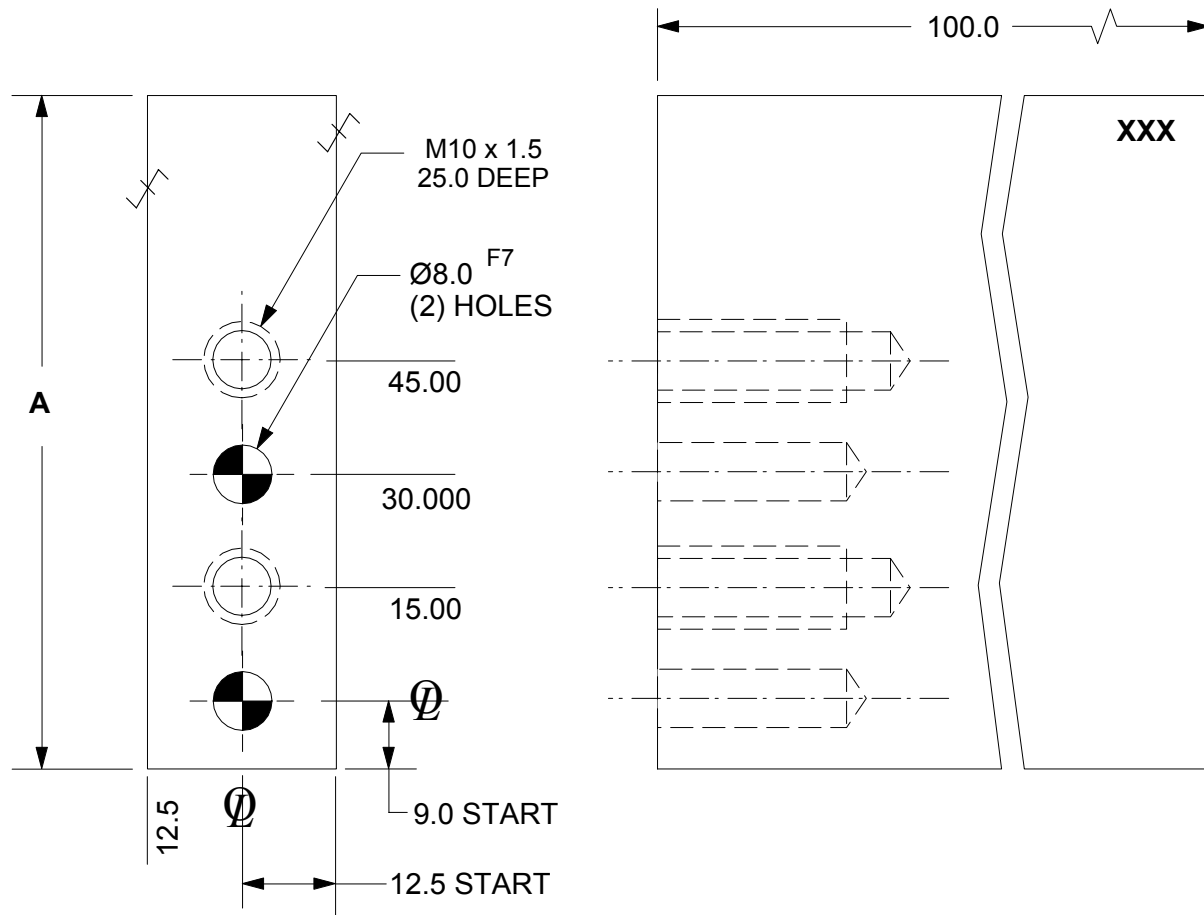
 SURFACES TO BE FLAT, PARALLEL & PERPENDICULAR TO WITHIN 0.015 T.I.R.

MATERIAL: STEEL

NOTE: Identify with NAAMS CODE number as shown **XXX**.

Black Oxide Finish

No Black Oxide Finish to "SS Type" Components



D

SEE PAGE B-1.1 FOR GLOBAL MATERIALS CHART

NAAMS CODE	A	MATERIAL	WT. kg
ANR240	80.0	STEEL SAE 4140	1.5
ANR241	80.0	SS type 303 or 304	1.5
ANR242	120.0	STEEL SAE 4140	2.3
ANR243	120.0	SS type 303 or 304	2.3

C  
A  
B

# NC BLOCK BLANKS

## 20 mm SERIES

### ANI381,383,391,392

GLOBAL STANDARD COMPONENTS



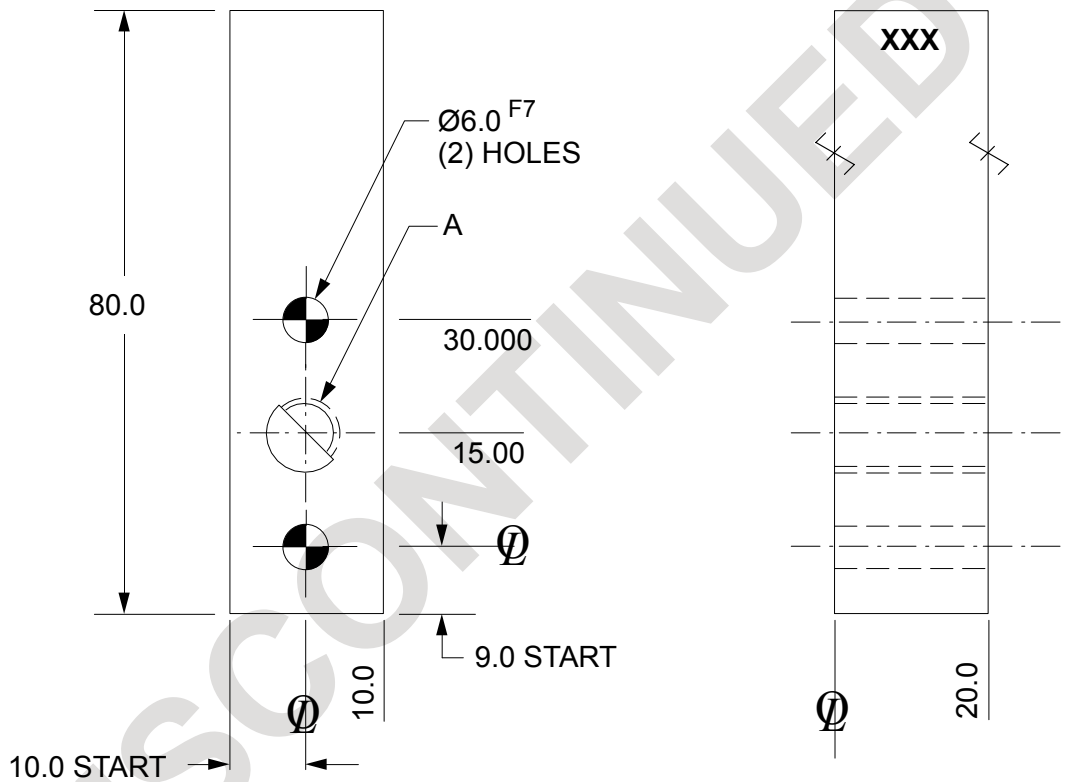
Assembly

07/25/08

Tolerances: 1 PLACE  $\pm 0.3$   
 2 PLACE  $\pm 0.03$   
 3 PLACE  $\pm 0.020$

SURFACES TO BE FLAT, PARALLEL & PERPENDICULAR TO WITHIN 0.015 T.I.R.

NOTE: Identify with NAAMS CODE number as shown **XXX**.  
 Black Oxide Finish



SEE PAGE B-1.1 FOR GLOBAL MATERIALS CHART

NAAMS CODE	A	MATERIAL	WT. kg
ANI391	M8 x 1.25	STEEL SAE 4140	0.25
ANI381	M8 x 1.25	SS type 303 or 304	0.25
ANI392	$\text{Ø} 9.0$	STEEL SAE 4140	0.25
ANI383	$\text{Ø} 9.0$	SS type 303 or 304	0.25

A  
 B  
 C  
 D

# NC BLOCK BLANKS

## 20 mm SERIES

### ANI384, 385, 386, 387

GLOBAL STANDARD COMPONENTS



Assembly

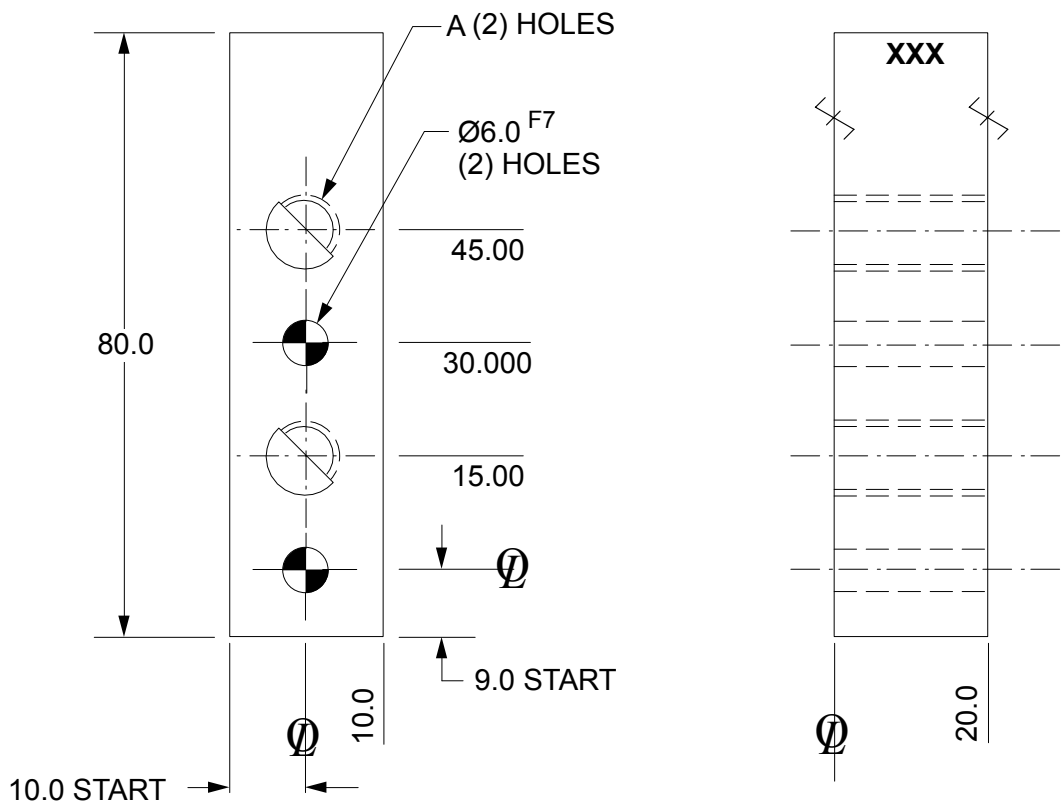
02/12/14

Tolerances: 1 PLACE  $\pm 0.3$   
 2 PLACE  $\pm 0.03$   
 3 PLACE  $\pm 0.020$

✓ SURFACES TO BE FLAT, PARALLEL &  
 PERPENDICULAR TO WITHIN 0.015 T.I.R.

NOTE: Identify with NAAMS CODE number as shown **XXX**.  
 Black Oxide Finish  
 No Black Oxide Finish to "SS Type" Components

D



SEE PAGE B-1.1 FOR GLOBAL MATERIALS CHART

NAAMS CODE	A	MATERIAL	WT. kg
ANI384	M8 x 1.25	STEEL SAE 4140	0.25
ANI385	M8 x 1.25	SS type 303 or 304	0.25
ANI386	$\varnothing$ 9.0	STEEL SAE 4140	0.25
ANI387	$\varnothing$ 9.0	SS type 303 or 304	0.25

C

A

B

# NC BLOCK BLANKS

## 20 mm SERIES

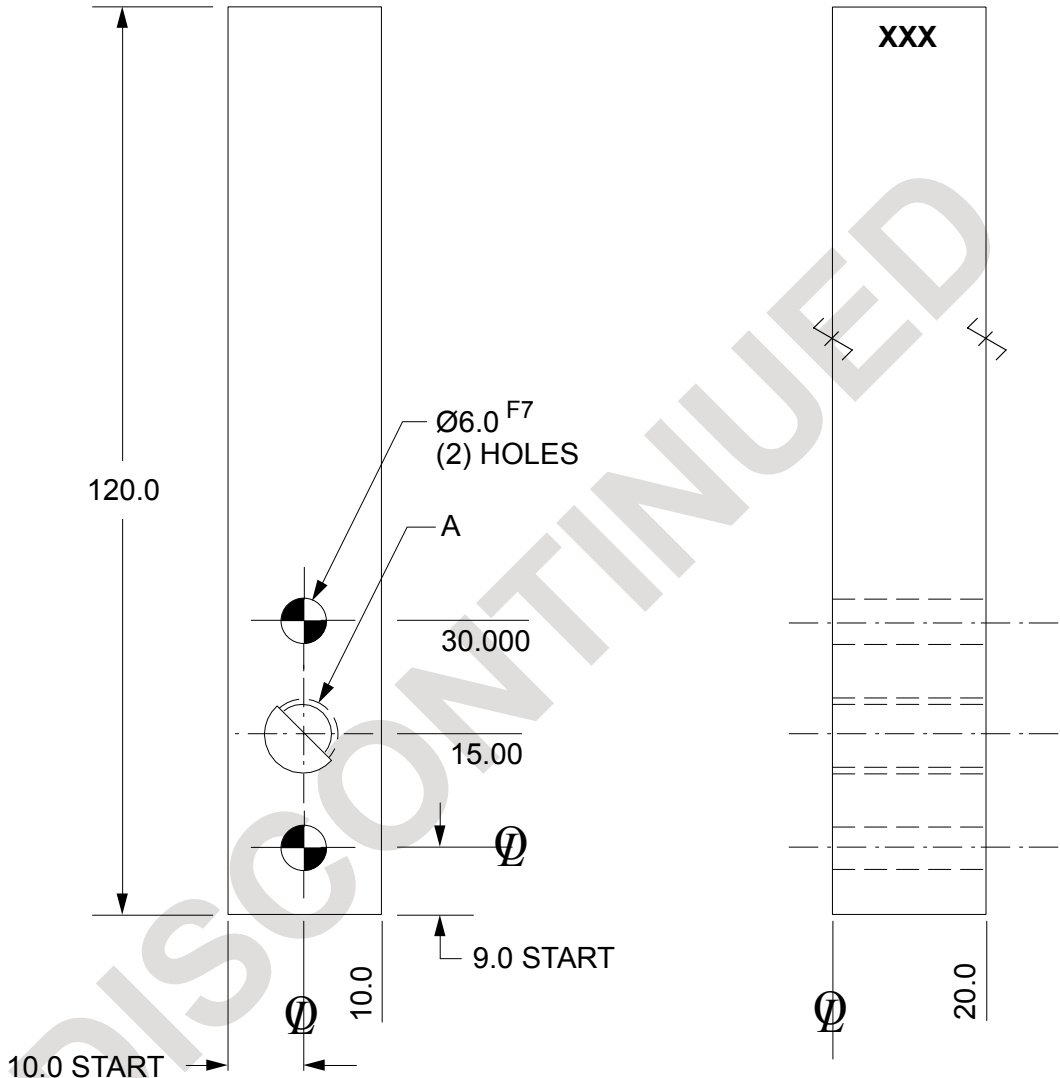
### ANI420,421,423,425

GLOBAL STANDARD COMPONENTS



Assembly

07/25/08



E

SEE PAGE B-1.1 FOR GLOBAL MATERIALS CHART

NAAMS CODE	A	MATERIAL	WT. kg
ANI424	M8 x 1.25	STEEL SAE 4140	0.37
ANI421	M8 x 1.25	SS type 303 or 304	0.37
ANI425	$\text{Ø} 9.0$	STEEL SAE 4140	0.37
ANI423	$\text{Ø} 9.0$	SS type 303 or 304	0.37

Tolerances: 1 PLACE  $\pm 0.3$   
 2 PLACE  $\pm 0.03$   
 3 PLACE  $\pm 0.020$

✓ SURFACES TO BE FLAT, PARALLEL & PERPENDICULAR TO WITHIN 0.015 T.I.R.  
 NOTE: Identify with NAAMS CODE number as shown **XXX**.  
 Black Oxide Finish

A

B

C


D

# NC BLOCK BLANKS

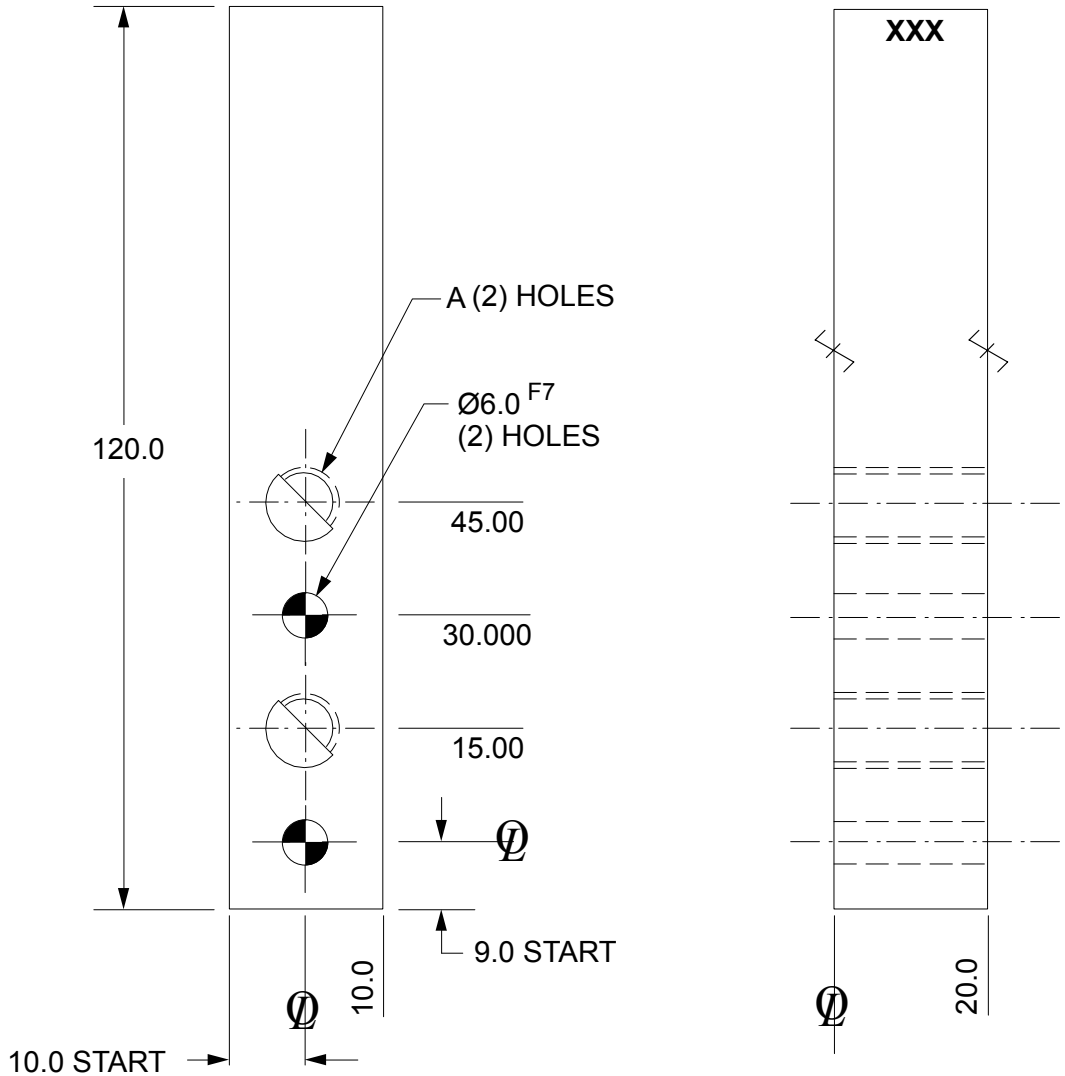
## 20 mm SERIES

### ANI426, 427, 428, 429

Tolerances: 1 PLACE  $\pm 0.3$   
 2 PLACE  $\pm 0.03$   
 3 PLACE  $\pm 0.020$

 SURFACES TO BE FLAT, PARALLEL & PERPENDICULAR TO WITHIN 0.015 T.I.R.

NOTE: Identify with NAAMS CODE number as shown **XXX**.  
 Black Oxide Finish  
 No Black Oxide Finish to "SS Type" Components



SEE PAGE B-1.1 FOR GLOBAL MATERIALS CHART

NAAMS CODE	A	MATERIAL	WT. kg
ANI426	M8 x 1.25	STEEL SAE 4140	0.41
ANI427	M8 x 1.25	SS type 303 or 304	0.41
ANI428	Ø9.0	STEEL SAE 4140	0.41
ANI429	Ø9.0	SS type 303 or 304	0.41

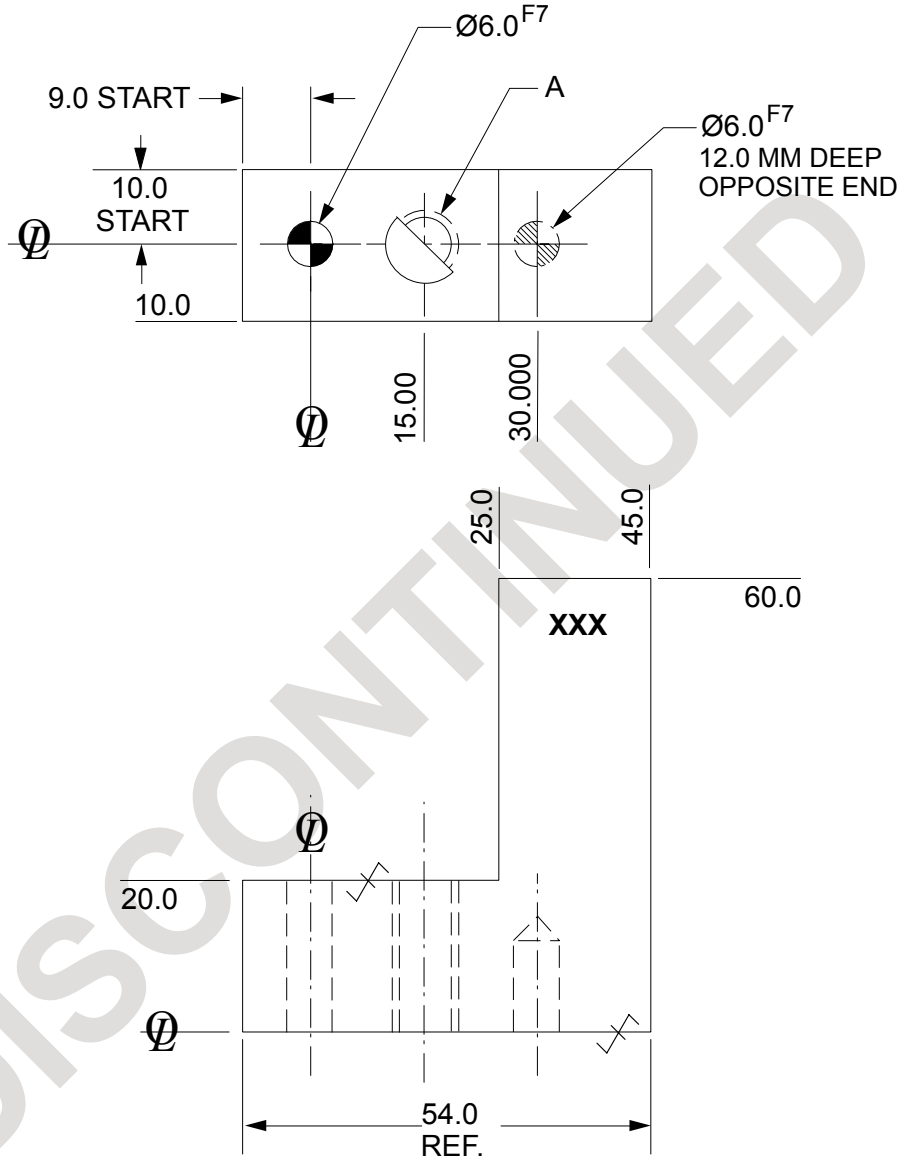
D

C  
A  
B

# NC BLOCK BLANKS

## 20 mm SERIES


### ANL360–363, 368, 369



SEE PAGE B-1.1 FOR GLOBAL MATERIALS CHART

NAAMS CODE	A	MATERIAL	WT. kg
ANL368	M8 x 1.25	STEEL SAE 4140	0.29
ANL361	M8 x 1.25	SS type 303 or 304	0.29
ANL369	Ø 9.0	STEEL SAE 4140	0.29
ANL363	Ø 9.0	SS type 303 or 304	0.29

Tolerances: 1 PLACE ± 0.3  
 2 PLACE ± 0.03  
 3 PLACE ± 0.020

 SURFACES TO BE FLAT, PARALLEL & PERPENDICULAR TO WITHIN 0.015 T.I.R.  
 NOTE: Identify with NAAMS CODE number as shown **XXX**.  
 Black Oxide Finish

E

D  
A  
B  
C

# NC BLOCK BLANKS

## 20 mm SERIES

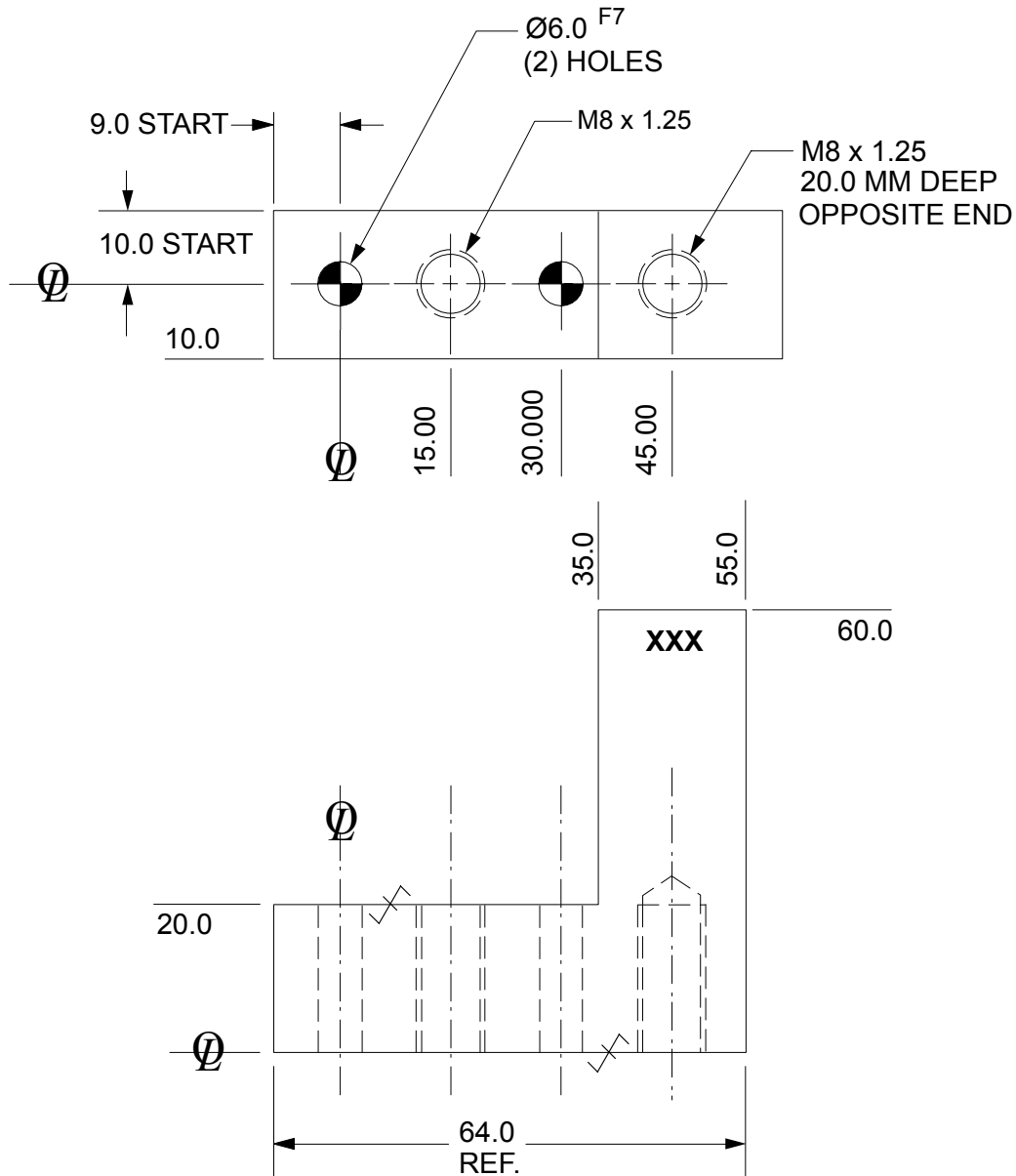
### ANL364, 365

Tolerances: 1 PLACE  $\pm 0.3$   
 2 PLACE  $\pm 0.03$   
 3 PLACE  $\pm 0.020$

✓ SURFACES TO BE FLAT, PARALLEL & PERPENDICULAR TO WITHIN 0.015 T.I.R.

NOTE: Identify with NAAMS CODE number as shown **XXX**.  
 Black Oxide Finish  
 No Black Oxide Finish to "SS Type" Components

**D**



SEE PAGE B-1.1 FOR GLOBAL MATERIALS CHART

NAAMS CODE	MATERIAL	WT. kg
ANL364	STEEL SAE 4140	0.32
ANL365	SS type 303 or 304	0.32

**C**  
**A**  
**B**



# NC BLOCK BLANKS 20 mm SERIES ANL366, 367

GLOBAL STANDARD COMPONENTS



Assembly

02/12/14

Tolerances: 1 PLACE ± 0.3  
2 PLACE ± 0.03  
3 PLACE ± 0.020

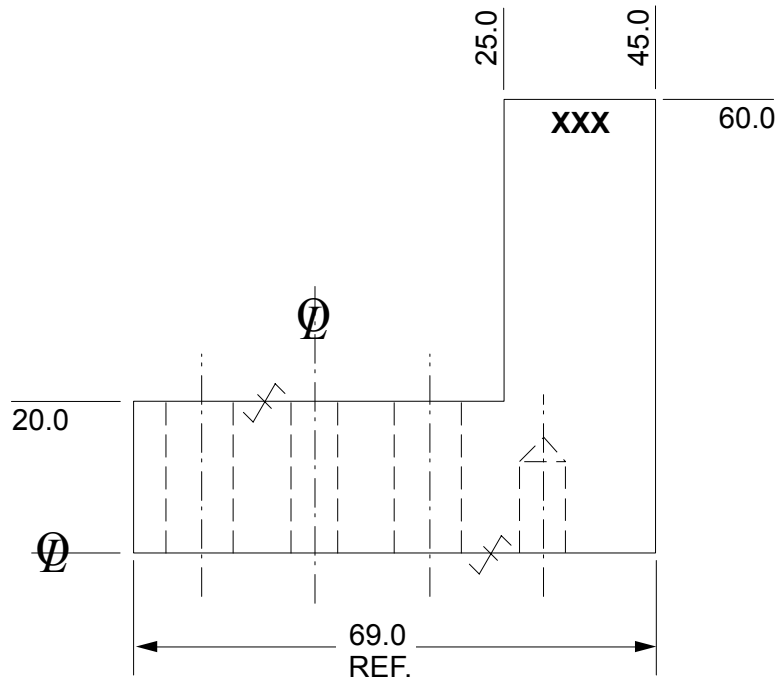
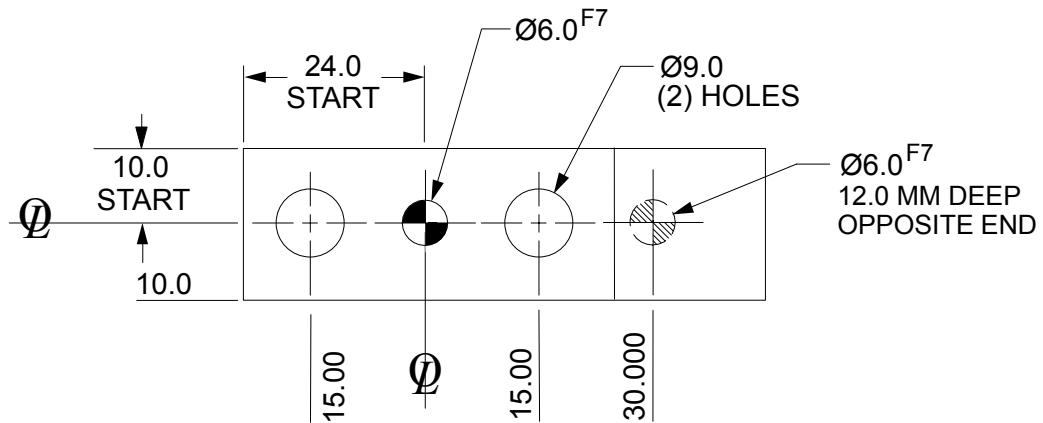
SURFACES TO BE FLAT, PARALLEL & PERPENDICULAR TO WITHIN 0.015 T.I.R.

NOTE: Identify with NAAMS CODE number as shown **XXX**.

Black Oxide Finish

No Black Oxide Finish to "SS Type" Components

D



SEE PAGE B-1.1 FOR GLOBAL MATERIALS CHART

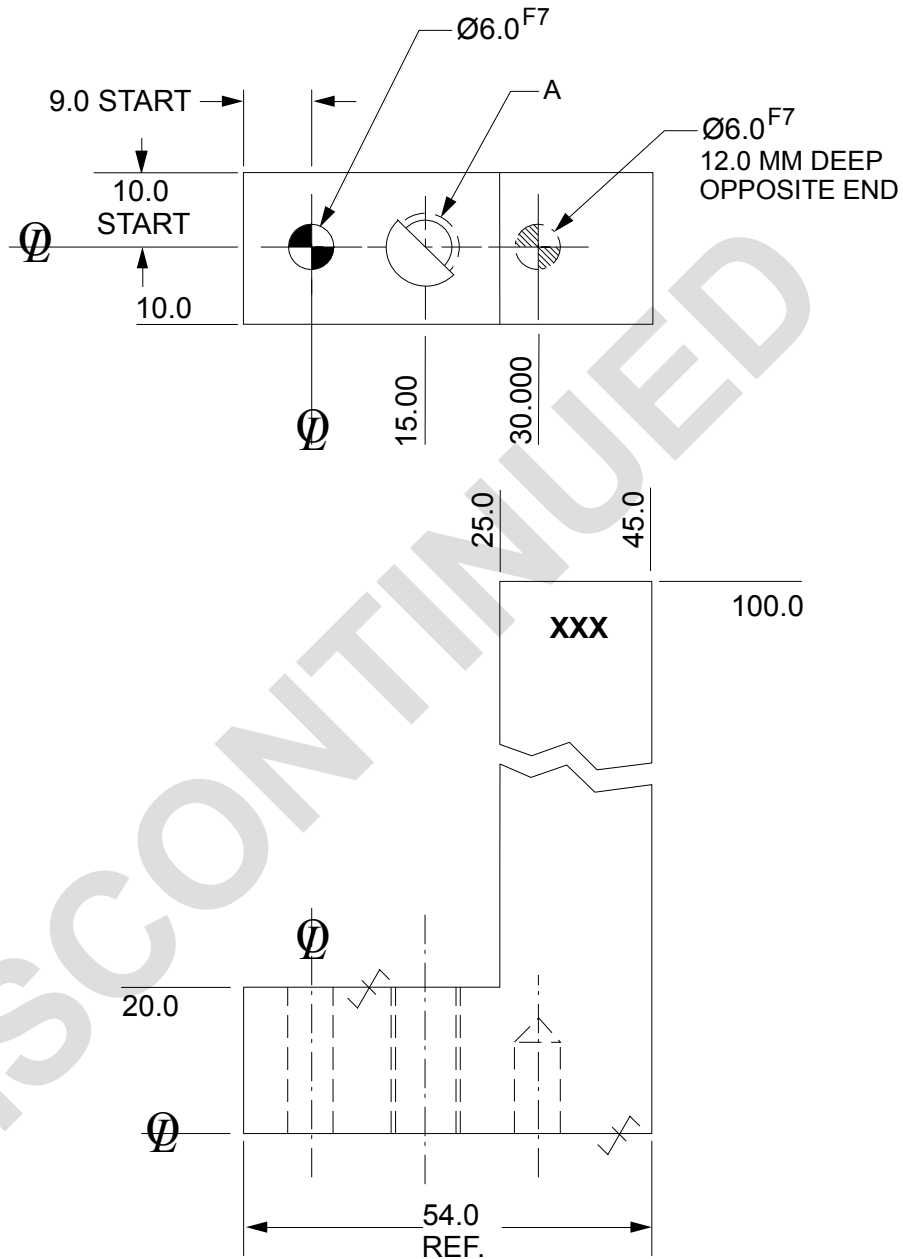
NAAMS CODE	MATERIAL	WT. kg
ANL366	STEEL SAE 4140	0.36
ANL367	SS type 303 or 304	0.36

C  
A  
B

# NC BLOCK BLANKS

## 20 mm SERIES


### ANL401,403,408,409



SEE PAGE B-1.1 FOR GLOBAL MATERIALS CHART

NAAMS CODE	A	MATERIAL	WT. kg
ANL408	M8 x 1.25	STEEL SAE 4140	0.41
ANL401	M8 x 1.25	SS type 303 or 304	0.41
ANL409	$\varnothing 9.0$	STEEL SAE 4140	0.41
ANL403	$\varnothing 9.0$	SS type 303 or 304	0.41

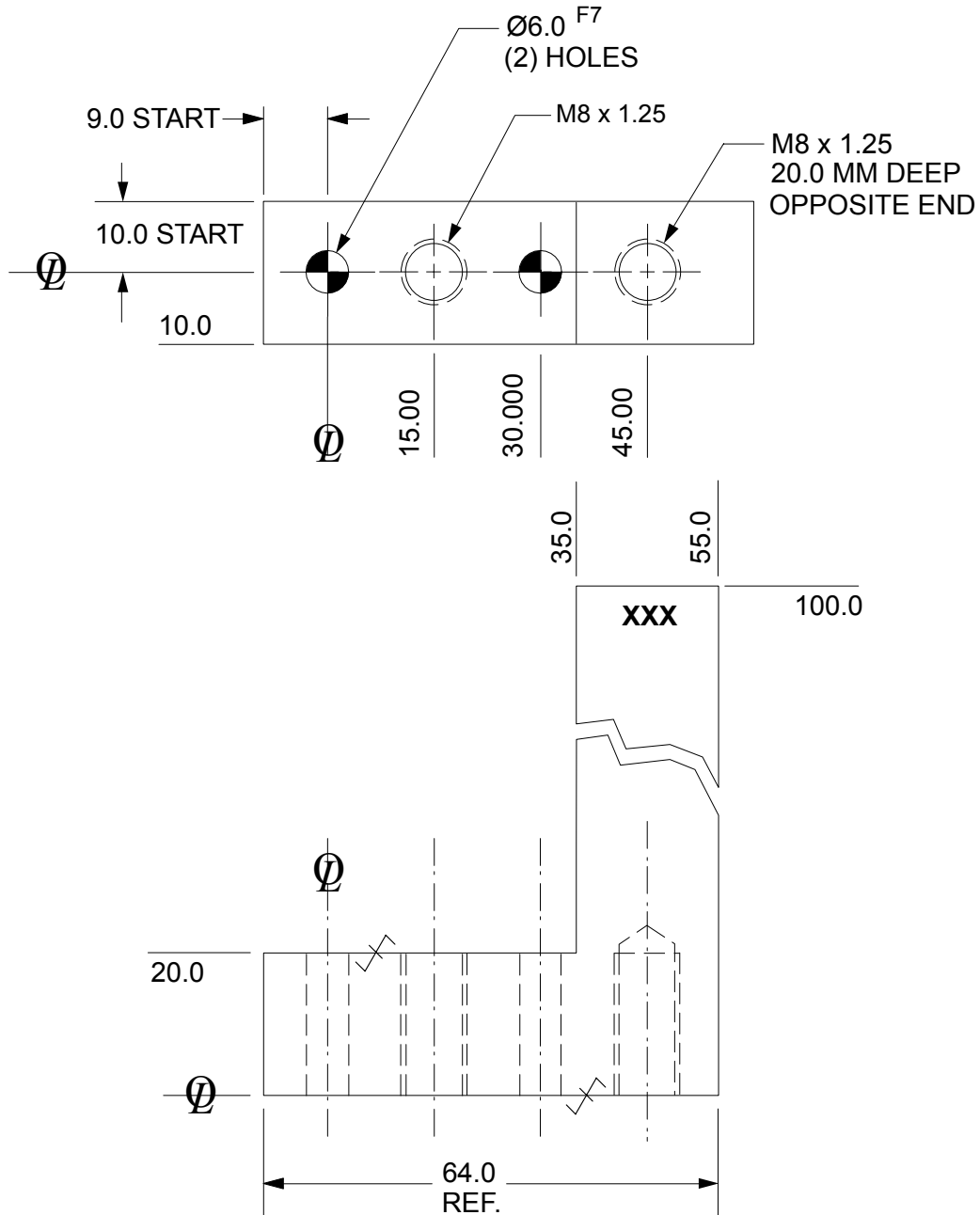
Tolerances: 1 PLACE  $\pm 0.3$   
 2 PLACE  $\pm 0.03$   
 3 PLACE  $\pm 0.020$

 SURFACES TO BE FLAT, PARALLEL & PERPENDICULAR TO WITHIN 0.015 T.I.R.  
 NOTE: Identify with NAAMS CODE number as shown **XXX**.  
 Black Oxide Finish

E

A  
 B  
 C  
 D


# NC BLOCK BLANKS 20 mm SERIES ANL404, 405



SEE PAGE B-1.1 FOR GLOBAL MATERIALS CHART

NAAMS CODE	MATERIAL	WT. kg
ANL404	STEEL SAE 4140	0.45
ANL405	SS type 303 or 304	0.45

Tolerances: 1 PLACE ± 0.3  
2 PLACE ± 0.03  
3 PLACE ± 0.020

 SURFACES TO BE FLAT, PARALLEL & PERPENDICULAR TO WITHIN 0.015 T.I.R.  
NOTE: Identify with NAAMS CODE number as shown **XXX**.  
Black Oxide Finish  
No Black Oxide Finish to "SS Type" Components

C  
A  
B  
D

# NC BLOCK BLANKS

## 20 mm SERIES

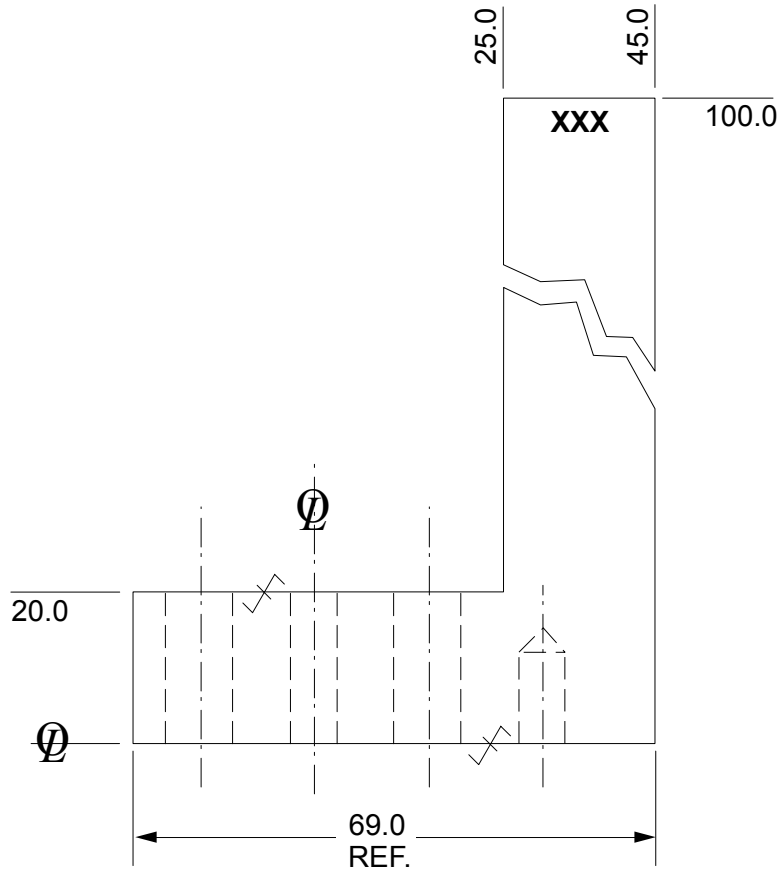
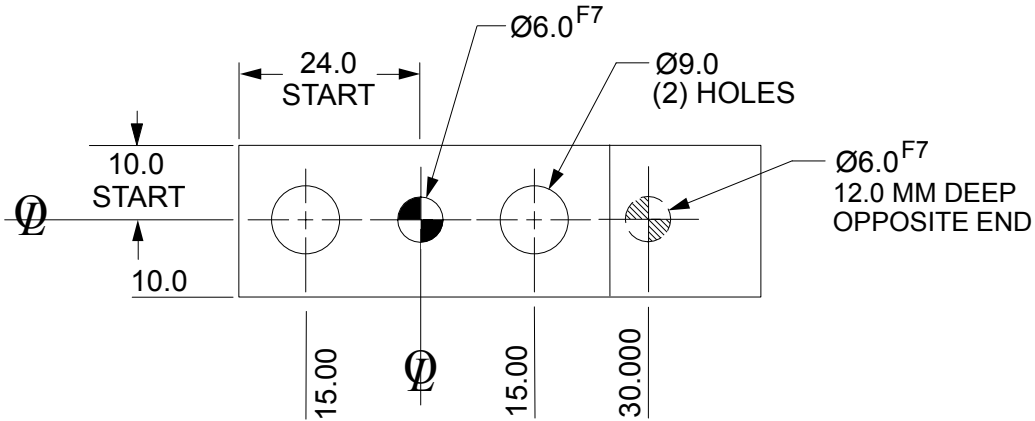
### ANL406, 407

GLOBAL STANDARD COMPONENTS



Assembly

02/12/14



SEE PAGE B-1.1 FOR GLOBAL MATERIALS CHART

NAAMS CODE	MATERIAL	WT. kg
ANL406	STEEL SAE 4140	0.46
ANL407	SS type 303 or 304	0.46

Tolerances: 1 PLACE  $\pm 0.3$   
 2 PLACE  $\pm 0.03$   
 3 PLACE  $\pm 0.020$

SURFACES TO BE FLAT, PARALLEL & PERPENDICULAR TO WITHIN 0.015 T.I.R.

NOTE: Identify with NAAMS CODE number as shown **XXX**.

Black Oxide Finish

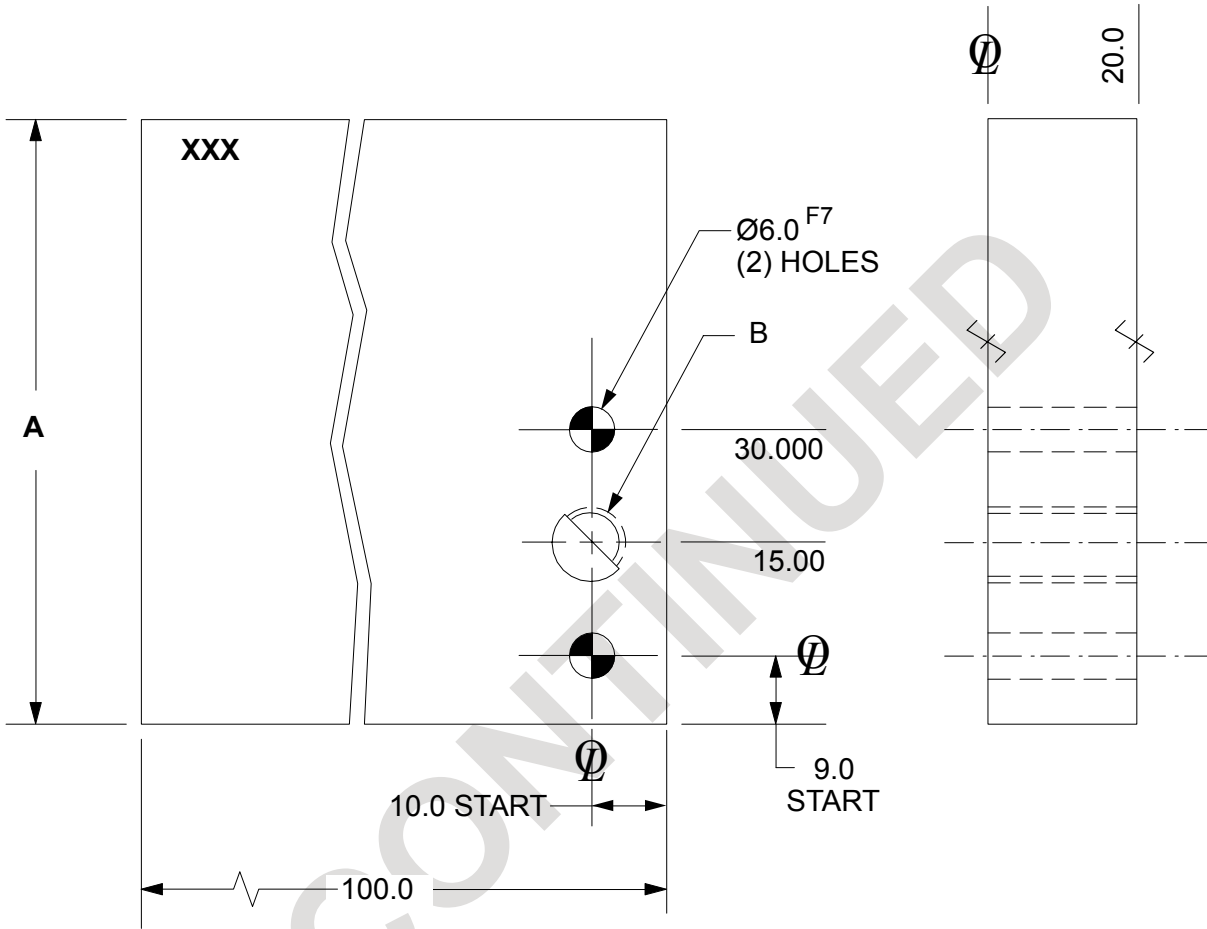
No Black Oxide Finish to "SS Type" Components

C  
A  
B  
D

# NC BLOCK BLANKS

## 20 mm SERIES

### ANR431,433,435.437,448-451




SEE PAGE B-1.1 FOR GLOBAL MATERIALS CHART

NAAMS CODE	A	B	MATERIAL	WT. kg
ANR448	80.0	M8 x 1.25	STEEL SAE 4140	1.2
ANR431	80.0	M8 x 1.25	SS type 303 or 304	1.2
ANR449	80.0	$\varnothing 9.0$	STEEL SAE 4140	1.2
ANR433	80.0	$\varnothing 9.0$	SS type 303 or 304	1.2
ANR450	120.0	M8 x 1.25	STEEL SAE 4140	1.9
ANR435	120.0	M8 x 1.25	SS type 303 or 304	1.9
ANR451	120.0	$\varnothing 9.0$	STEEL SAE4140	1.9
ANR437	120.0	$\varnothing 9.0$	SS type 303 or 304	1.9

Tolerances:

- 1 PLACE  $\pm 0.3$
- 2 PLACE  $\pm 0.03$
- 3 PLACE  $\pm 0.020$

 SURFACES TO BE FLAT, PARALLEL & PERPENDICULAR TO WITHIN 0.015 T.I.R.

NOTE: Identify with NAAMS CODE number as shown **XXX**.  
Black Oxide Finish

E

D  
A  
B  
C


# NC BLOCK BLANKS

## 20 mm SERIES

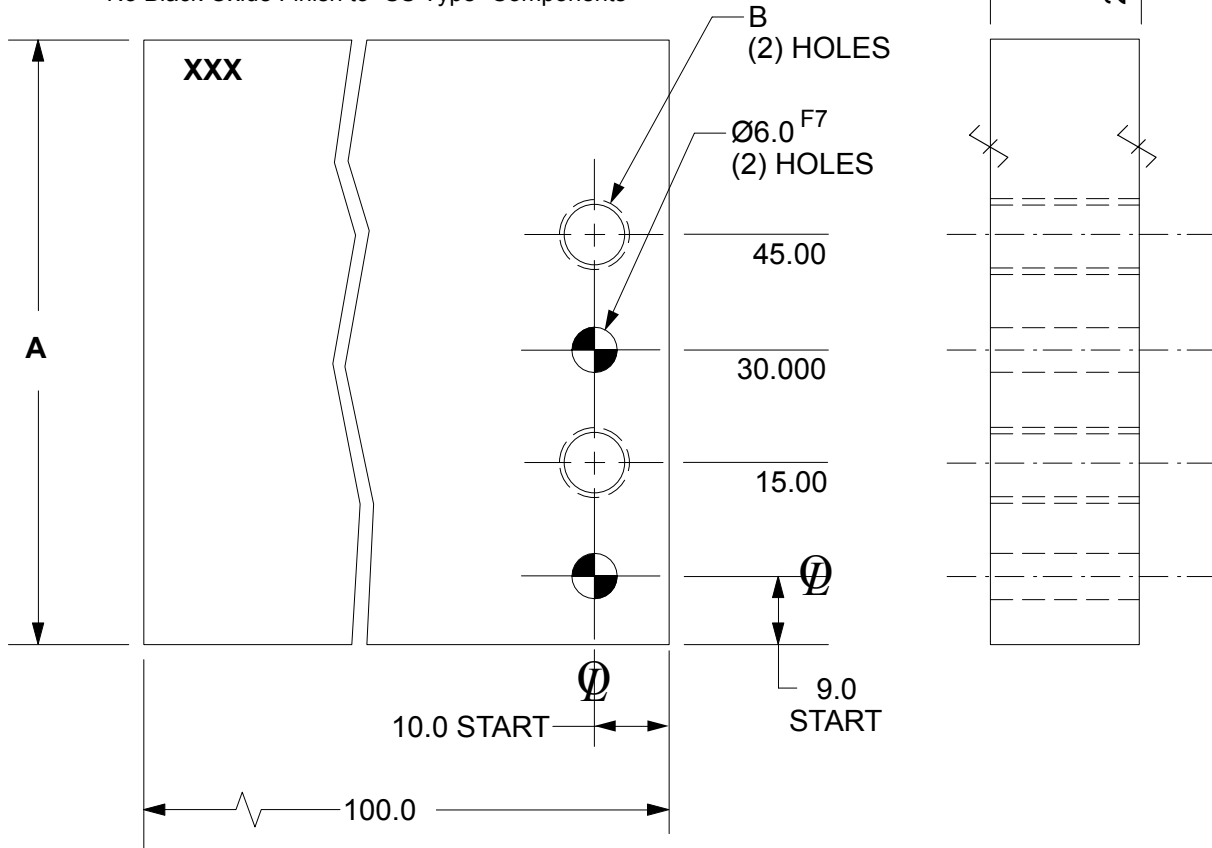
### ANR440 THRU 447

**Tolerances:**

- 1 PLACE  $\pm 0.3$
- 2 PLACE  $\pm 0.03$
- 3 PLACE  $\pm 0.020$

 SURFACES TO BE FLAT, PARALLEL & PERPENDICULAR TO WITHIN 0.015 T.I.R.

**NOTE:** Identify with NAAMS CODE number as shown **XXX**.  
 Black Oxide Finish  
 No Black Oxide Finish to "SS Type" Components



**D**

SEE PAGE B-1.1 FOR GLOBAL MATERIALS CHART

NAAMS CODE	A	B	MATERIAL	WT. kg
ANR440	80.0	M8 x 1.25	STEEL SAE 4140	1.2
ANR441	80.0	M8 x 1.25	SS type 303 or 304	1.2
ANR442	80.0	$\text{Ø} 9.0$	STEEL SAE 4140	1.2
ANR443	80.0	$\text{Ø} 9.0$	SS type 303 or 304	1.2
ANR444	120.0	M8 x 1.25	STEEL SAE 4140	1.9
ANR445	120.0	M8 x 1.25	SS type 303 or 304	1.9
ANR446	120.0	$\text{Ø} 9.0$	STEEL SAE 4140	1.9
ANR447	120.0	$\text{Ø} 9.0$	SS type 303 or 304	1.9

**C**  
**A**  
**B**


# NC BLOCK BLANKS

## 20 mm SERIES

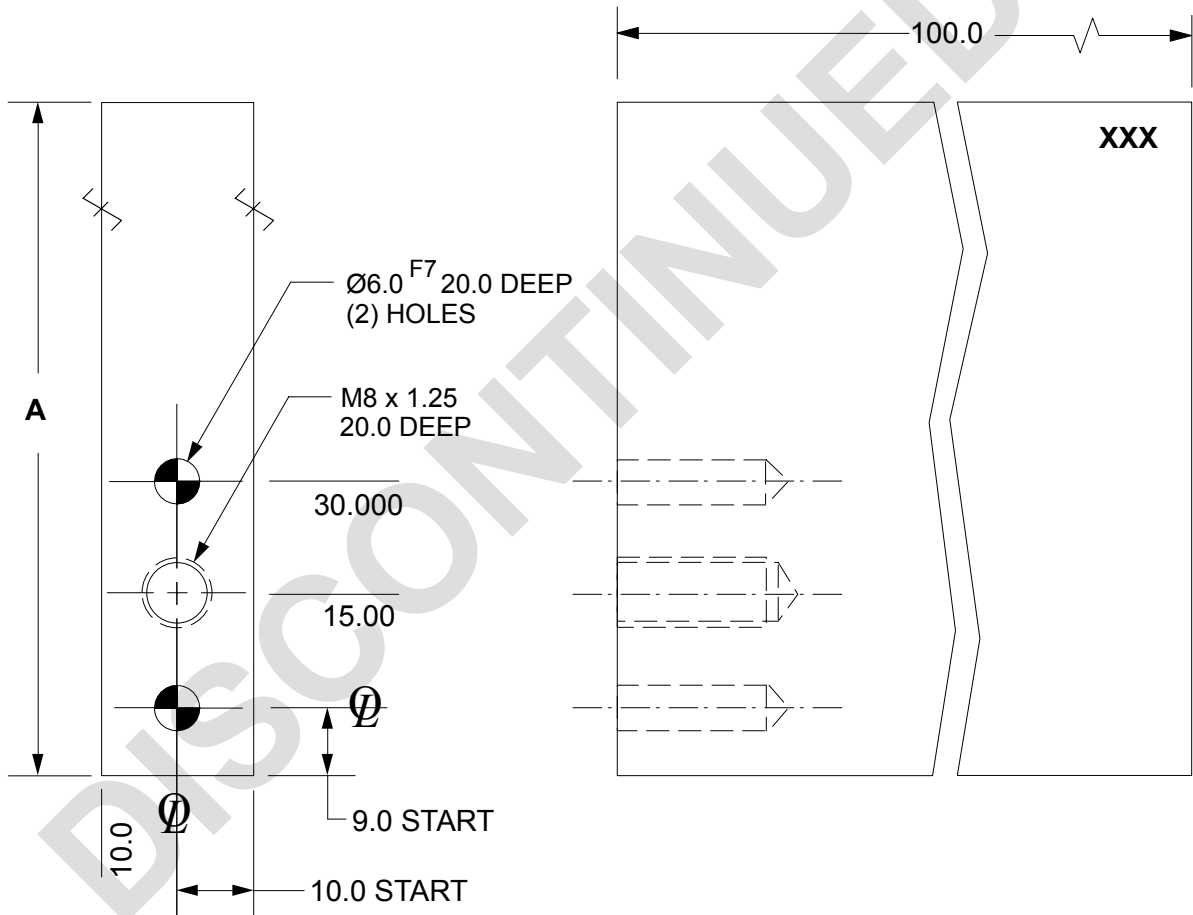
### ANR531,533,534,535

Tolerances:

- 1 PLACE  $\pm 0.3$
- 2 PLACE  $\pm 0.03$
- 3 PLACE  $\pm 0.020$

 SURFACES TO BE FLAT, PARALLEL & PERPENDICULAR TO WITHIN 0.015 T.I.R.

NOTE: Identify with NAAMS CODE number as shown **XXX**.  
Black Oxide Finish



E

SEE PAGE B-1.1 FOR GLOBAL MATERIALS CHART

NAAMS CODE	A	MATERIAL	WT. kg
ANR534	80.0	STEEL SAE 4140	1.2
ANR531	80.0	SS type 303 or 304	1.2
ANR535	120.0	STEEL SAE 4140	1.9
ANR533	120.0	SS type 303 or 304	1.9

D  
A  
B  
C


# NC BLOCK BLANKS

## 20 mm SERIES

### ANR540 THRU 543

Tolerances:

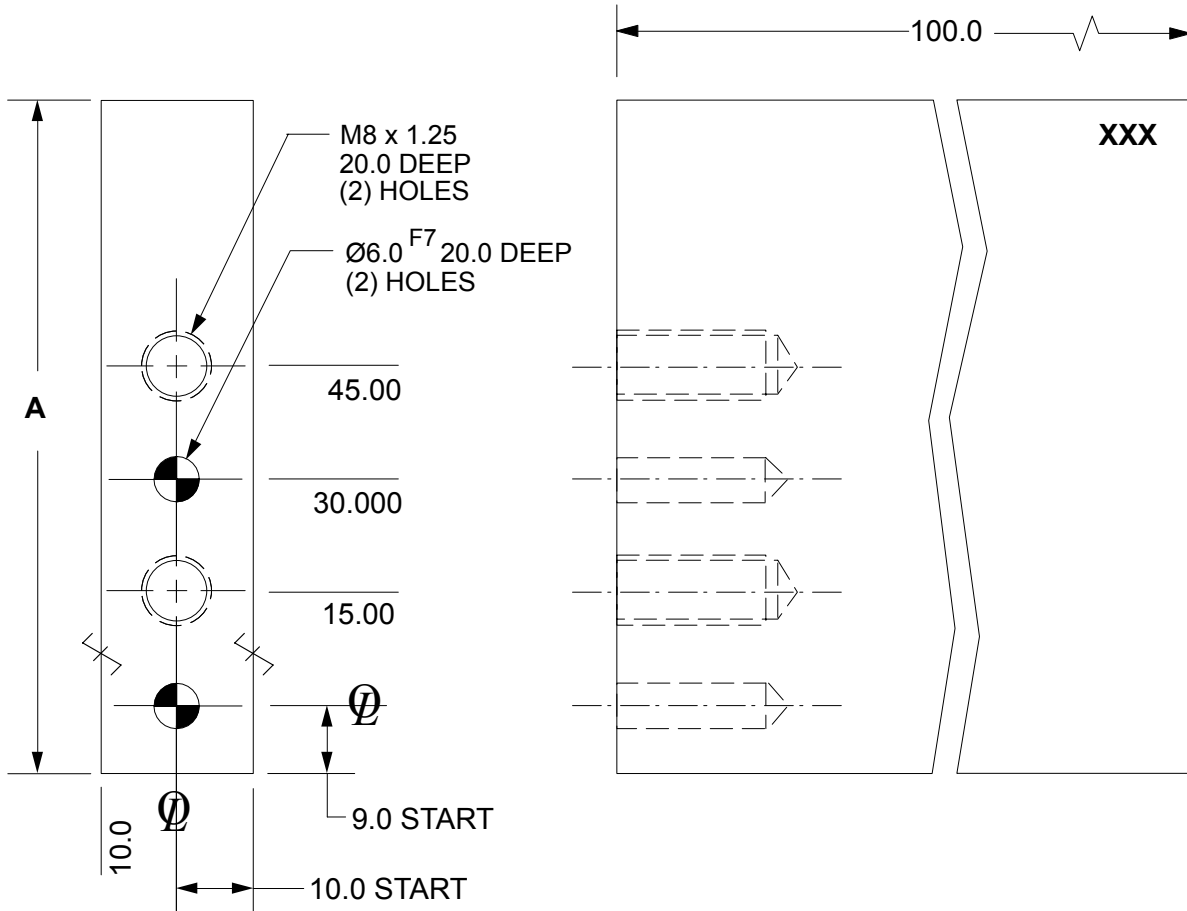
- 1 PLACE  $\pm 0.3$
- 2 PLACE  $\pm 0.03$
- 3 PLACE  $\pm 0.020$

 SURFACES TO BE FLAT, PARALLEL & PERPENDICULAR TO WITHIN 0.015 T.I.R.

NOTE: Identify with NAAMS CODE number as shown **XXX**.

Black Oxide Finish

No Black Oxide Finish to "SS Type" Components



SEE PAGE B-1.1 FOR GLOBAL MATERIALS CHART

NAAMS CODE	A	MATERIAL	WT. kg
ANR540	80.0	STEEL SAE 4140	1.2
ANR541	80.0	SS type 303 or 304	1.2
ANR542	120.0	STEEL SAE 4140	1.9
ANR543	120.0	SS type 303 or 304	1.9

D

C  
A  
B



# NC BLOCK BLANKS

## 20 mm SERIES

### ANI206 THRU ANI209

GLOBAL STANDARD COMPONENTS



Assembly

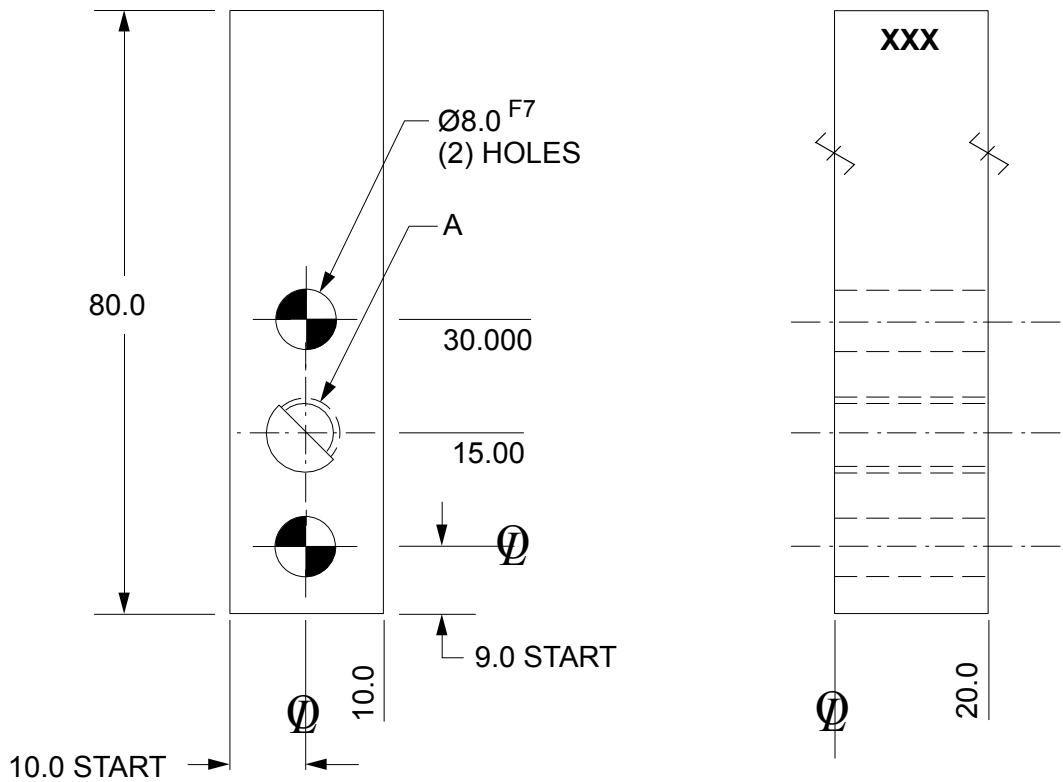
02/12/14

Tolerances: 1 PLACE  $\pm 0.3$   
 2 PLACE  $\pm 0.03$   
 3 PLACE  $\pm 0.020$

✓ SURFACES TO BE FLAT, PARALLEL &  
 PERPENDICULAR TO WITHIN 0.015 T.I.R.

NOTE: Identify with NAAMS CODE number as shown **XXX**.  
 Black Oxide Finish  
 No Black Oxide Finish to "SS Type" Components

**A**



SEE PAGE B-1.1 FOR GLOBAL MATERIALS CHART

NAAMS CODE	A	MATERIAL	WT. kg
ANI206	M8 x 1.25	STEEL SAE 4140	0.25
ANI207	M8 x 1.25	SS type 303 or 304	0.25
ANI208	$\text{Ø} 9.0$	STEEL SAE 4140	0.25
ANI209	$\text{Ø} 9.0$	SS type 303 or 304	0.25

# NC BLOCK BLANKS

## 20 mm SERIES

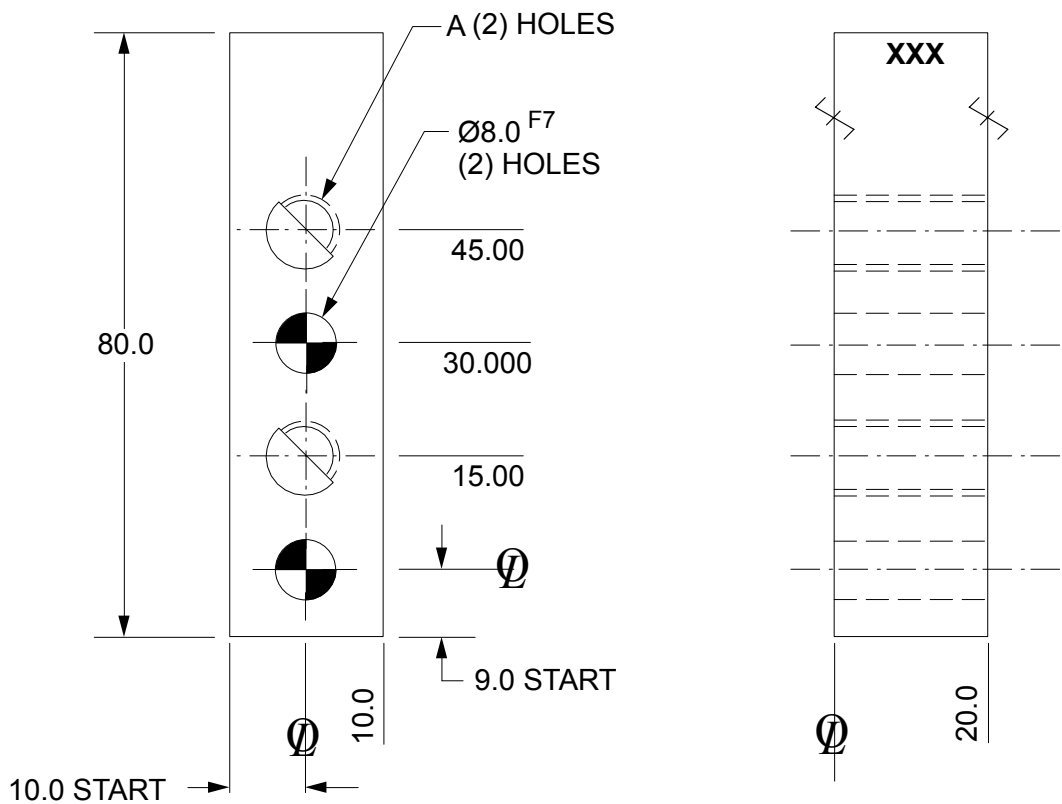
### ANI201 THRU ANI204

Tolerances: 1 PLACE  $\pm 0.3$   
 2 PLACE  $\pm 0.03$   
 3 PLACE  $\pm 0.020$

✓ SURFACES TO BE FLAT, PARALLEL &  
 PERPENDICULAR TO WITHIN 0.015 T.I.R.

NOTE: Identify with NAAMS CODE number as shown **XXX**.  
 Black Oxide Finish  
 No Black Oxide Finish to "SS Type" Components

**A**



SEE PAGE B-1.1 FOR GLOBAL MATERIALS CHART

NAAMS CODE	A	MATERIAL	WT. kg
ANI201	M8 x 1.25	STEEL SAE 4140	0.25
ANI202	M8 x 1.25	SS type 303 or 304	0.25
ANI203	$\varnothing 9.0$	STEEL SAE 4140	0.25
ANI204	$\varnothing 9.0$	SS type 303 or 304	0.25

# NC BLOCK BLANKS

## 20 mm SERIES

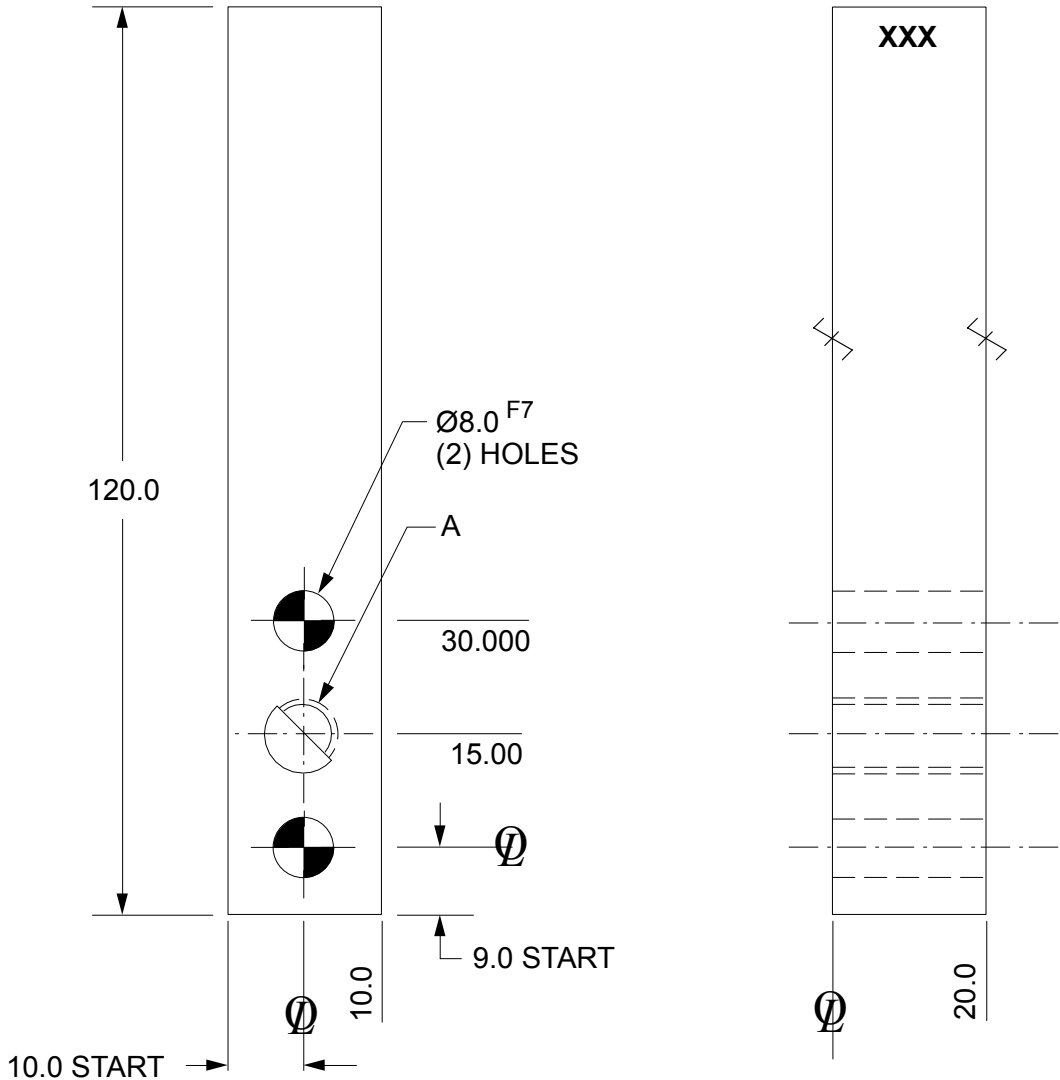
### ANI216 THRU ANI219

GLOBAL STANDARD COMPONENTS



Assembly

02/12/14



SEE PAGE B-1.1 FOR GLOBAL MATERIALS CHART

NAAMS CODE	A	MATERIAL	WT. kg
ANI216	M8 x 1.25	STEEL SAE 4140	0.37
ANI217	M8 x 1.25	SS type 303 or 304	0.37
ANI218	Ø 9.0	STEEL SAE 4140	0.37
ANI219	Ø 9.0	SS type 303 or 304	0.37

Tolerances: 1 PLACE ± 0.3  
2 PLACE ± 0.03  
3 PLACE ± 0.020

✓ SURFACES TO BE FLAT, PARALLEL & PERPENDICULAR TO WITHIN 0.015 T.I.R.  
NOTE: Identify with NAAMS CODE number as shown **XXX**.  
Black Oxide Finish

No Black Oxide Finish to "SS Type" Components

**A**

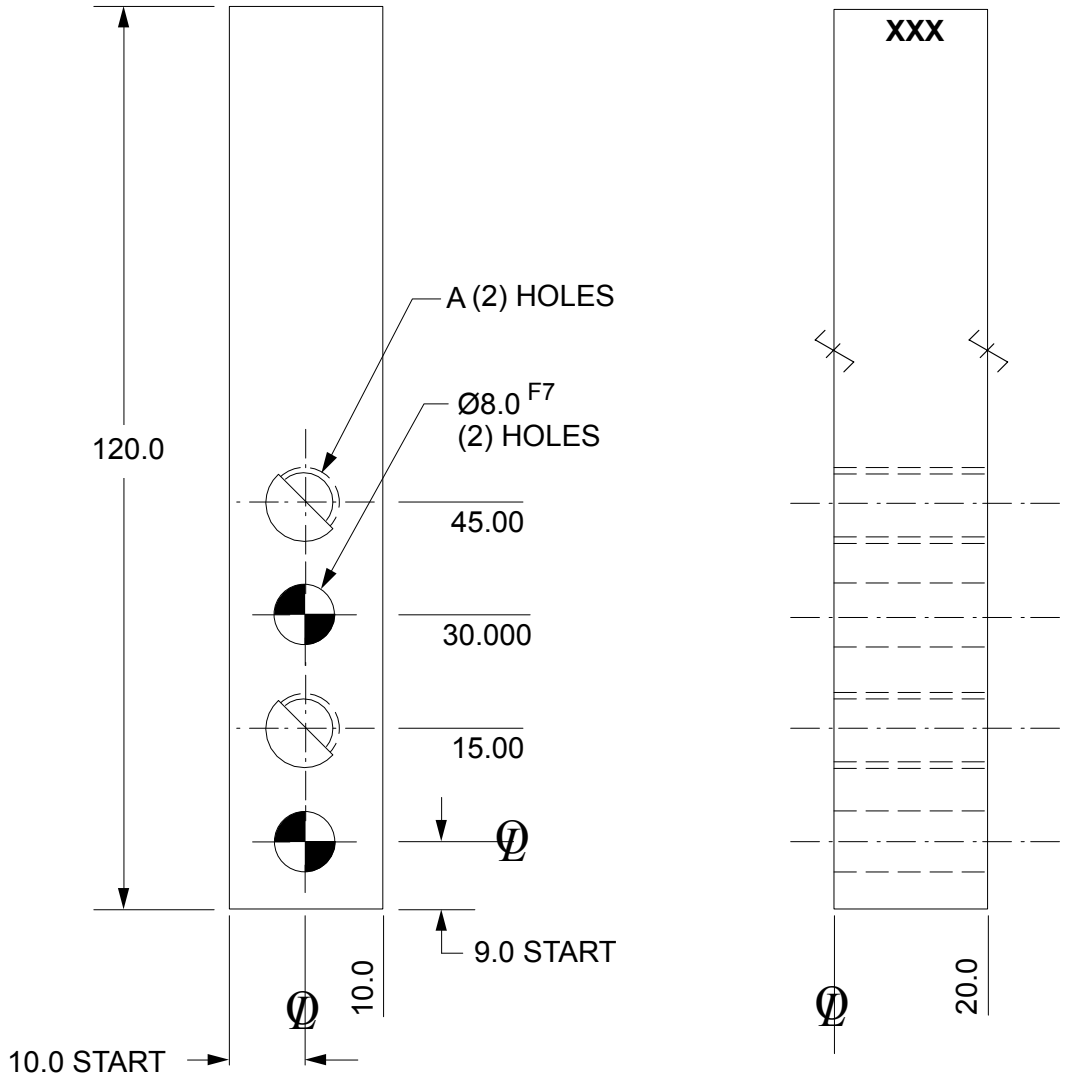
# NC BLOCK BLANKS 20 mm SERIES ANI211 THRU ANI214

Tolerances: 1 PLACE  $\pm 0.3$   
2 PLACE  $\pm 0.03$   
3 PLACE  $\pm 0.020$

✓ SURFACES TO BE FLAT, PARALLEL &  
PERPENDICULAR TO WITHIN 0.015 T.I.R.

NOTE: Identify with NAAMS CODE number as shown **XXX**.  
Black Oxide Finish  
No Black Oxide Finish to "SS Type" Components

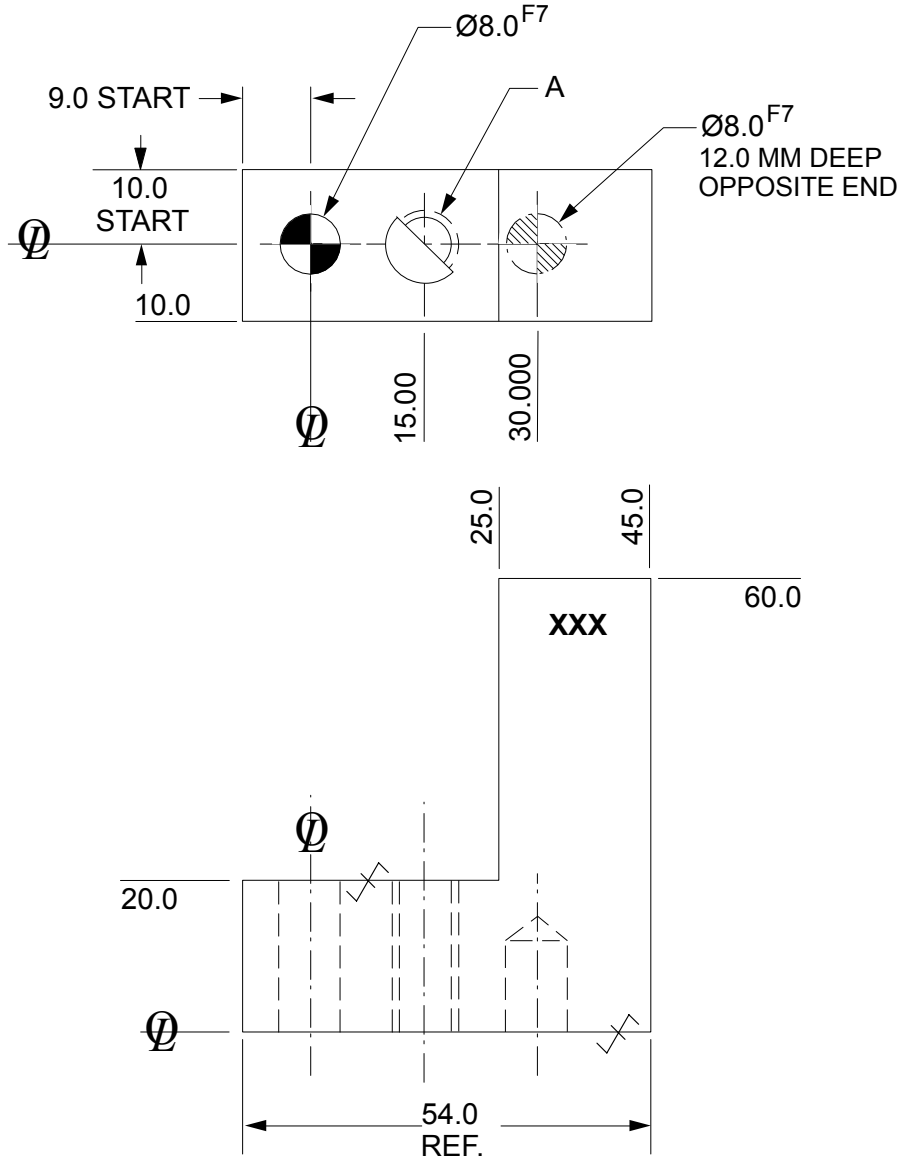
**A**



SEE PAGE B-1.1 FOR GLOBAL MATERIALS CHART

NAAMS CODE	A	MATERIAL	WT. kg
ANI211	M8 x 1.25	STEEL SAE 4140	0.41
ANI212	M8 x 1.25	SS type 303 or 304	0.41
ANI213	Ø9.0	STEEL SAE 4140	0.41
ANI214	Ø9.0	SS type 303 or 304	0.41


# NC BLOCK BLANKS 20 mm SERIES ANL215 THRU ANL218



SEE PAGE B-1.1 FOR GLOBAL MATERIALS CHART

NAAMS CODE	A	MATERIAL	WT. kg
ANL215	M8 x 1.25	STEEL SAE 4140	0.29
ANL216	M8 x 1.25	SS type 303 or 304	0.29
ANL217	Ø 9.0	STEEL SAE 4140	0.29
ANL218	Ø 9.0	SS type 303 or 304	0.29

Tolerances: 1 PLACE ± 0.3  
2 PLACE ± 0.03  
3 PLACE ± 0.020

 SURFACES TO BE FLAT, PARALLEL & PERPENDICULAR TO WITHIN 0.015 T.I.R.  
NOTE: Identify with NAAMS CODE number as shown **XXX**.  
Black Oxide Finish

No Black Oxide Finish to "SS Type" Components

**A**

# NC BLOCK BLANKS

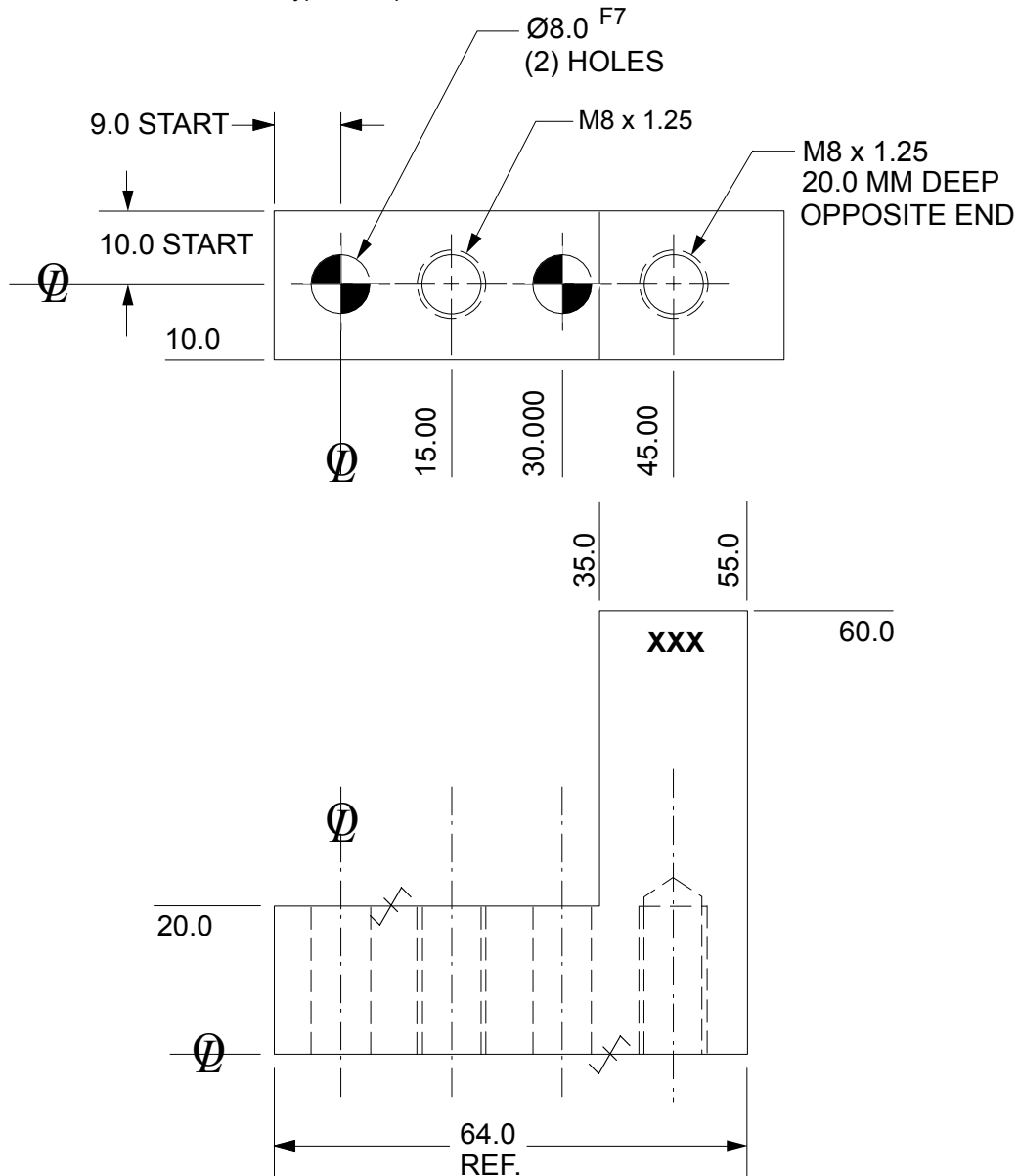
## 20 mm SERIES

### ANL211, ANL212

Tolerances: 1 PLACE  $\pm 0.3$   
 2 PLACE  $\pm 0.03$   
 3 PLACE  $\pm 0.020$

✓ SURFACES TO BE FLAT, PARALLEL & PERPENDICULAR TO WITHIN 0.015 T.I.R.

NOTE: Identify with NAAMS CODE number as shown **XXX**.  
 Black Oxide Finish  
 No Black Oxide Finish to "SS Type" Components



SEE PAGE B-1.1 FOR GLOBAL MATERIALS CHART

NAAMS CODE	MATERIAL	WT. kg
ANL211	STEEL SAE 4140	0.32
ANL212	SS type 303 or 304	0.32


A

# NC BLOCK BLANKS

## 20 mm SERIES

### ANL221, ANL222

Tolerances: 1 PLACE  $\pm 0.3$   
 2 PLACE  $\pm 0.03$   
 3 PLACE  $\pm 0.020$

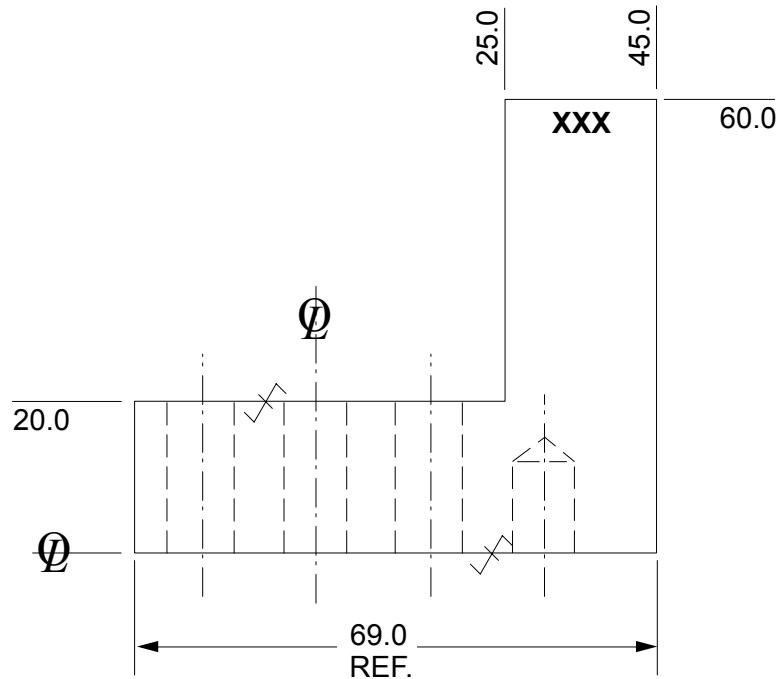
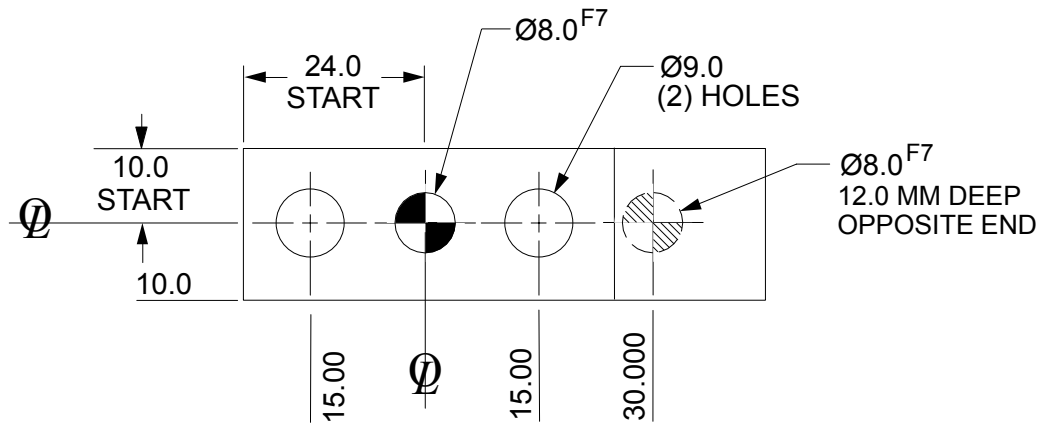
 SURFACES TO BE FLAT, PARALLEL & PERPENDICULAR TO WITHIN 0.015 T.I.R.

NOTE: Identify with NAAMS CODE number as shown **XXX**.

Black Oxide Finish

No Black Oxide Finish to "SS Type" Components

**A**



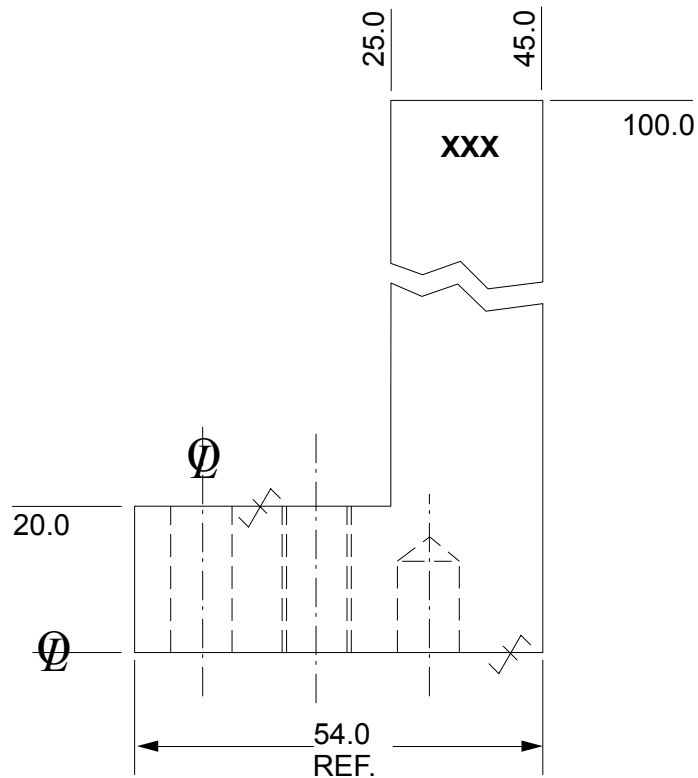
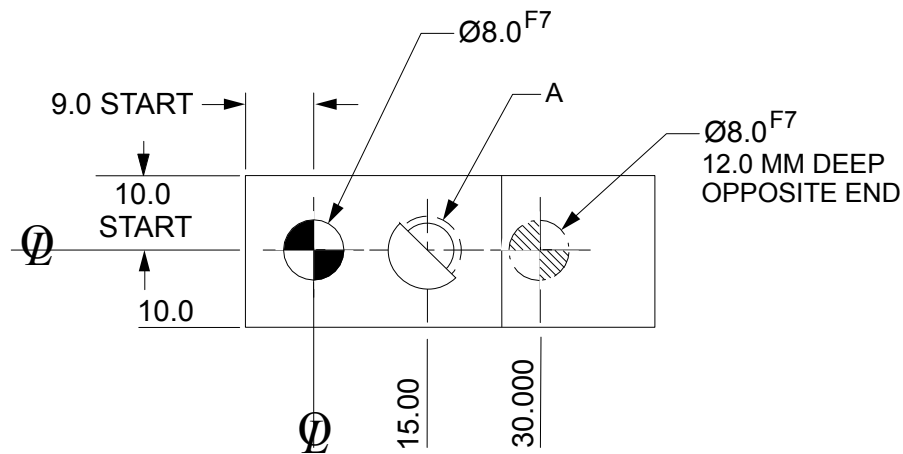
SEE PAGE B-1.1 FOR GLOBAL MATERIALS CHART

NAAMS CODE	MATERIAL	WT. kg
ANL221	STEEL SAE 4140	0.36
ANL222	SS type 303 or 304	0.36

# NC BLOCK BLANKS

## 20 mm SERIES


### ANL225 THRU ANL228



SEE PAGE B-1.1 FOR GLOBAL MATERIALS CHART

NAAMS CODE	A	MATERIAL	WT. kg
ANL225	M8 x 1.25	STEEL SAE 4140	0.41
ANL226	M8 x 1.25	SS type 303 or 304	0.41
ANL227	Ø 9.0	STEEL SAE 4140	0.41
ANL228	Ø 9.0	SS type 303 or 304	0.41

Tolerances: 1 PLACE ± 0.3  
 2 PLACE ± 0.03  
 3 PLACE ± 0.020

 SURFACES TO BE FLAT, PARALLEL & PERPENDICULAR TO WITHIN 0.015 T.I.R.

NOTE: Identify with NAAMS CODE number as shown **XXX**.

Black Oxide Finish

No Black Oxide Finish to "SS Type" Components

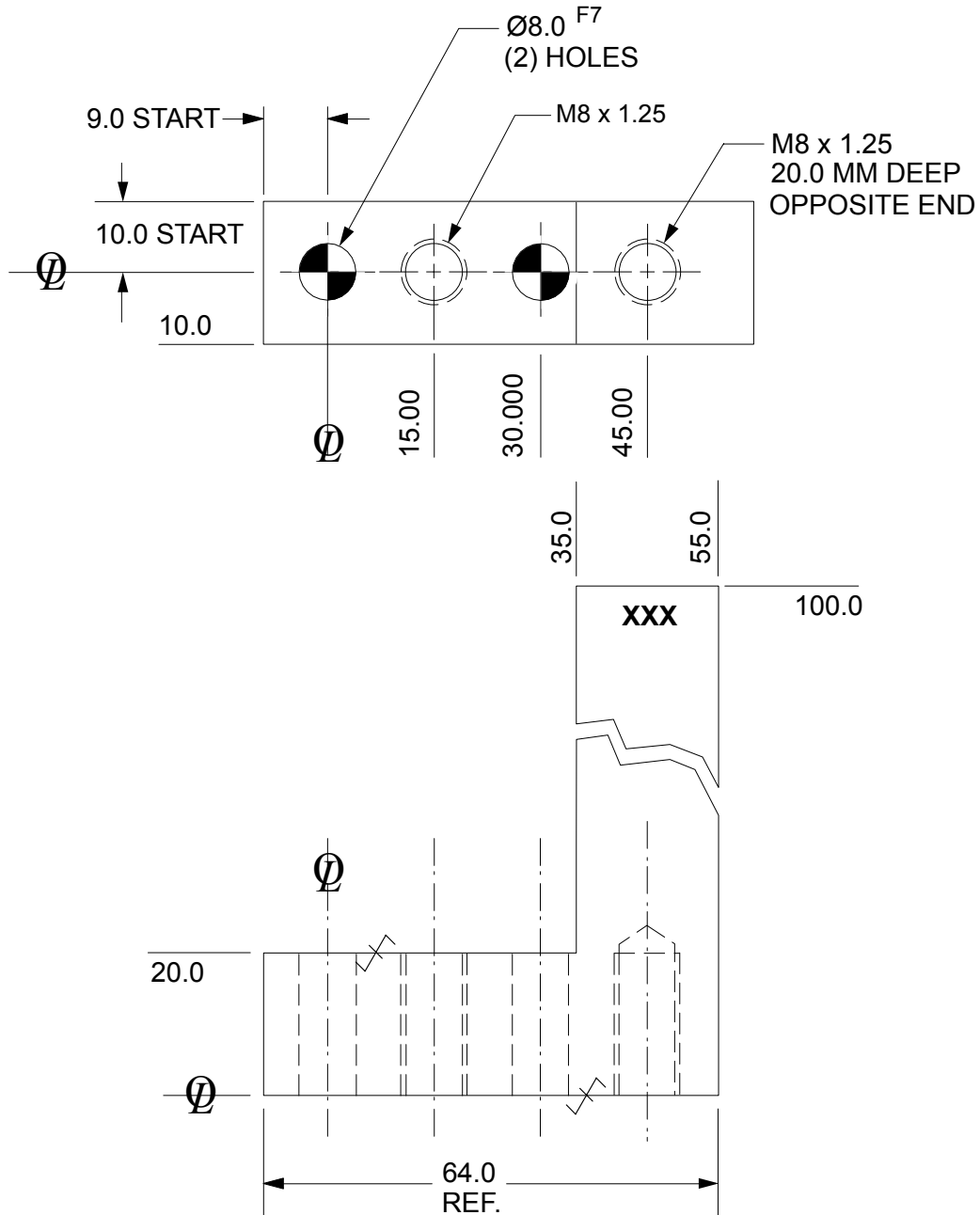
**A**



# NC BLOCK BLANKS

## 20 mm SERIES


### ANL311, ANL312



SEE PAGE B-1.1 FOR GLOBAL MATERIALS CHART

NAAMS CODE	MATERIAL	WT. kg
ANL311	STEEL SAE 4140	0.45
ANL312	SS type 303 or 304	0.45

Tolerances: 1 PLACE  $\pm 0.3$   
 2 PLACE  $\pm 0.03$   
 3 PLACE  $\pm 0.020$

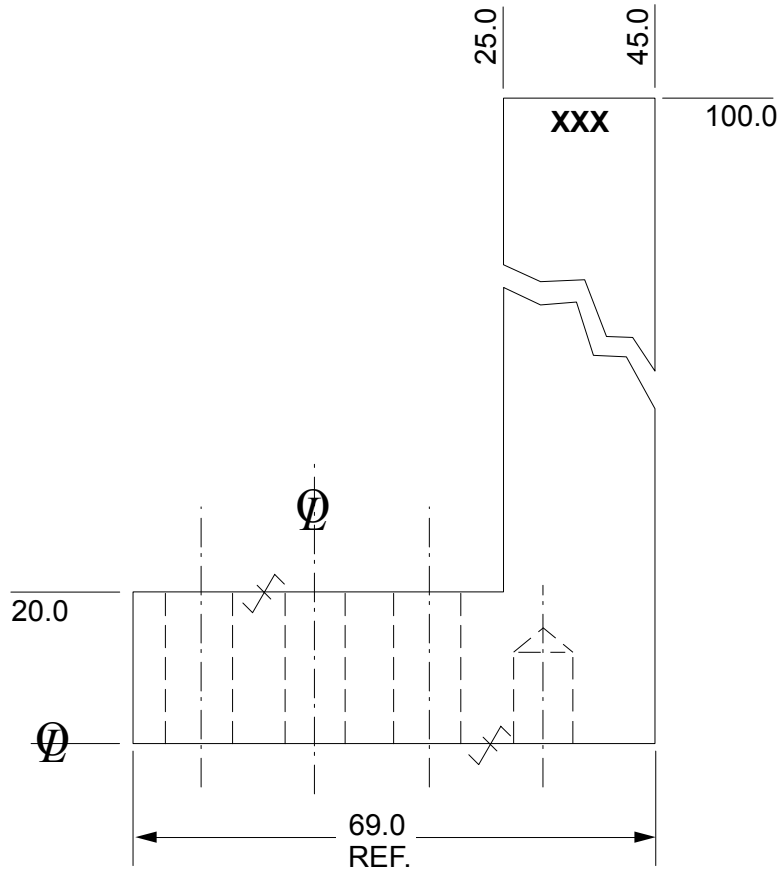
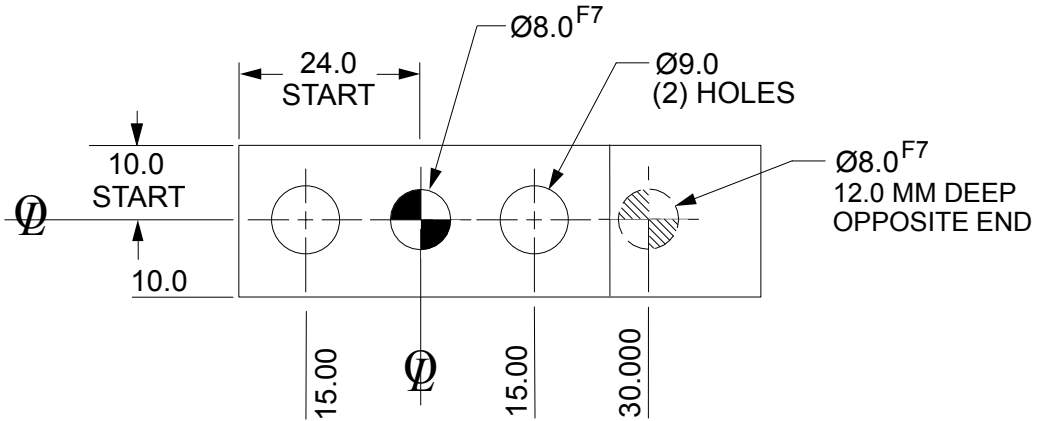
 SURFACES TO BE FLAT, PARALLEL & PERPENDICULAR TO WITHIN 0.015 T.I.R.  
 NOTE: Identify with NAAMS CODE number as shown **XXX**.  
 Black Oxide Finish  
 No Black Oxide Finish to "SS Type" Components

**A**

# NC BLOCK BLANKS

## 20 mm SERIES


### ANL411, ANL412



SEE PAGE B-1.1 FOR GLOBAL MATERIALS CHART

NAAMS CODE	MATERIAL	WT. kg
ANL411	STEEL SAE 4140	0.46
ANL412	SS type 303 or 304	0.46

Tolerances: 1 PLACE  $\pm 0.3$   
 2 PLACE  $\pm 0.03$   
 3 PLACE  $\pm 0.020$

 SURFACES TO BE FLAT, PARALLEL & PERPENDICULAR TO WITHIN 0.015 T.I.R.

NOTE: Identify with NAAMS CODE number as shown **XXX**.

Black Oxide Finish

No Black Oxide Finish to "SS Type" Components

**A**

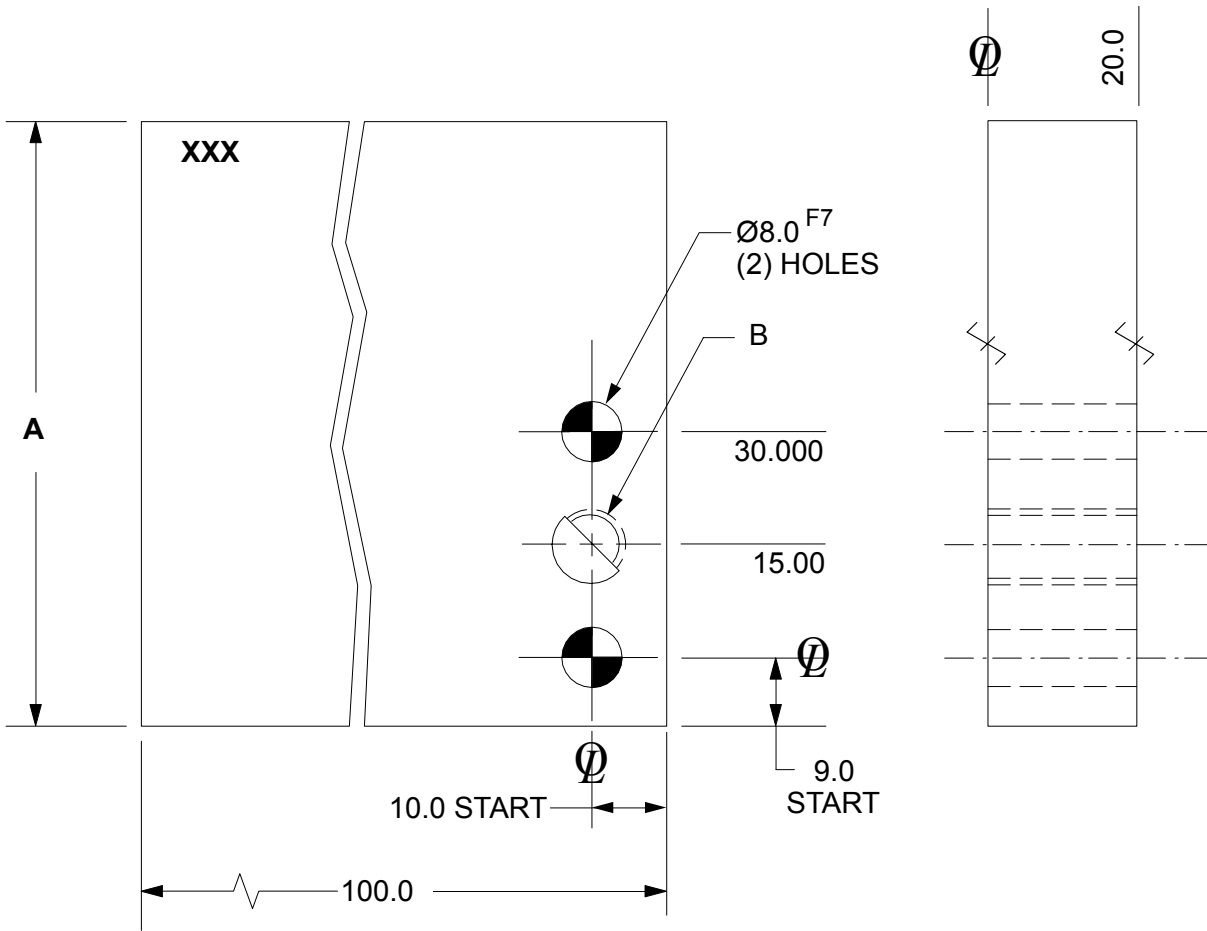
# NC BLOCK BLANKS 20 mm SERIES ANR600 THRU ANR607

GLOBAL STANDARD COMPONENTS



Assembly

02/12/14



SEE PAGE B-1.1 FOR GLOBAL MATERIALS CHART

NAAMS CODE	A	B	MATERIAL	WT. kg
ANR600	80.0	M8 x 1.25	STEEL SAE 4140	1.2
ANR601	80.0	M8 x 1.25	SS type 303 or 304	1.2
ANR602	80.0	$\text{Ø} 9.0$	STEEL SAE 4140	1.2
ANR603	80.0	$\text{Ø} 9.0$	SS type 303 or 304	1.2
ANR604	120.0	M8 x 1.25	STEEL SAE 4140	1.9
ANR605	120.0	M8 x 1.25	SS type 303 or 304	1.9
ANR606	120.0	$\text{Ø} 9.0$	STEEL SAE4140	1.9
ANR607	120.0	$\text{Ø} 9.0$	SS type 303 or 304	1.9

Tolerances:

- 1 PLACE  $\pm 0.3$
- 2 PLACE  $\pm 0.03$
- 3 PLACE  $\pm 0.020$

$\sqrt{\text{X}}$  SURFACES TO BE FLAT, PARALLEL & PERPENDICULAR TO WITHIN 0.015 T.I.R.

NOTE: Identify with NAAMS CODE number as shown **XXX**.  
Black Oxide Finish


No Black Oxide Finish to "SS Type" Components

**A**

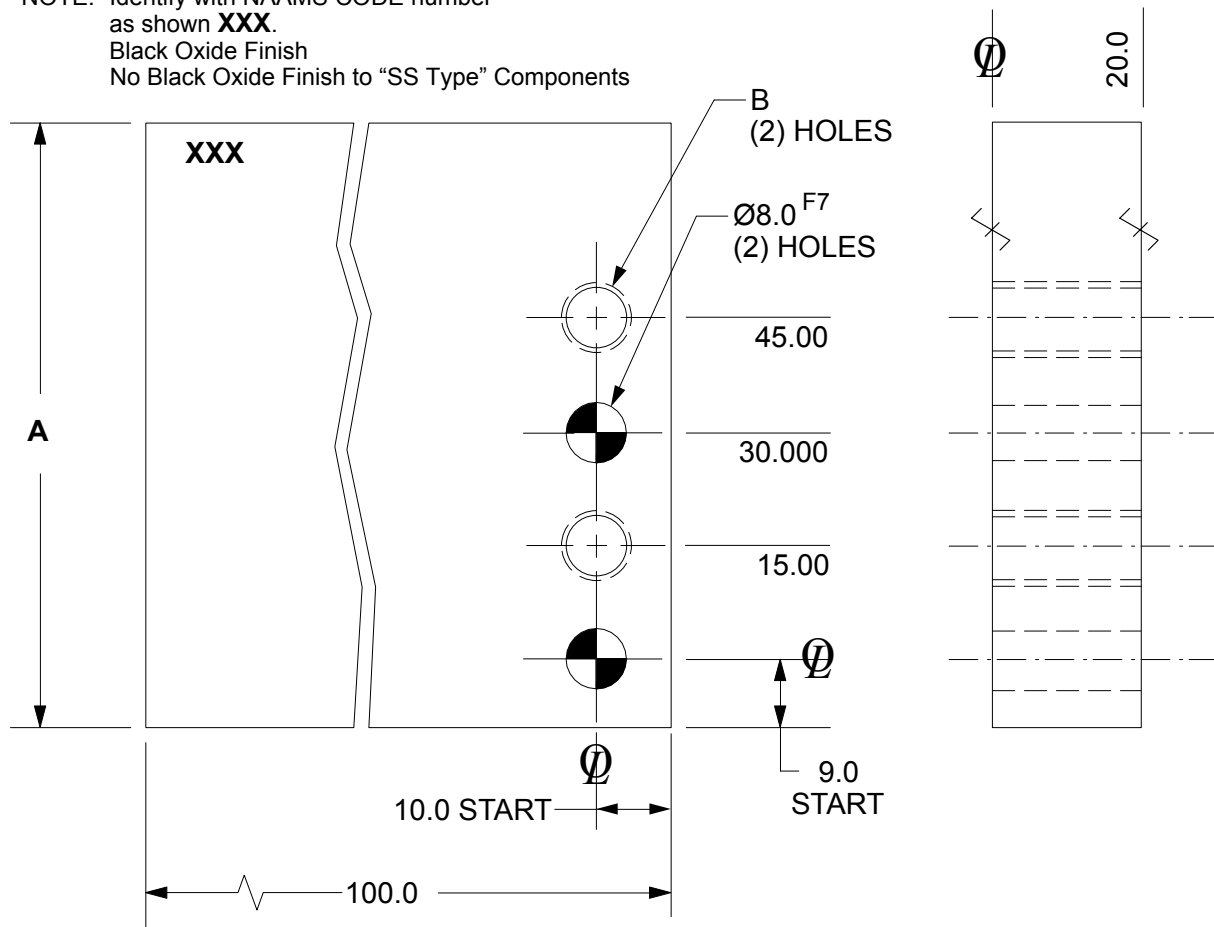
# NC BLOCK BLANKS 20 mm SERIES ANR301 THRU ANR308

Tolerances:

- 1 PLACE  $\pm 0.3$
- 2 PLACE  $\pm 0.03$
- 3 PLACE  $\pm 0.020$

 SURFACES TO BE FLAT, PARALLEL & PERPENDICULAR TO WITHIN 0.015 T.I.R.

NOTE: Identify with NAAMS CODE number as shown **XXX**.  
Black Oxide Finish  
No Black Oxide Finish to "SS Type" Components



**A**


SEE PAGE B-1.1 FOR GLOBAL MATERIALS CHART

NAAMS CODE	A	B	MATERIAL	WT. kg
ANR301	80.0	M8 x 1.25	STEEL SAE 4140	1.2
ANR302	80.0	M8 x 1.25	SS type 303 or 304	1.2
ANR303	80.0	$\varnothing 9.0$	STEEL SAE 4140	1.2
ANR304	80.0	$\varnothing 9.0$	SS type 303 or 304	1.2
ANR305	120.0	M8 x 1.25	STEEL SAE 4140	1.9
ANR306	120.0	M8 x 1.25	SS type 303 or 304	1.9
ANR307	120.0	$\varnothing 9.0$	STEEL SAE 4140	1.9
ANR308	120.0	$\varnothing 9.0$	SS type 303 or 304	1.9

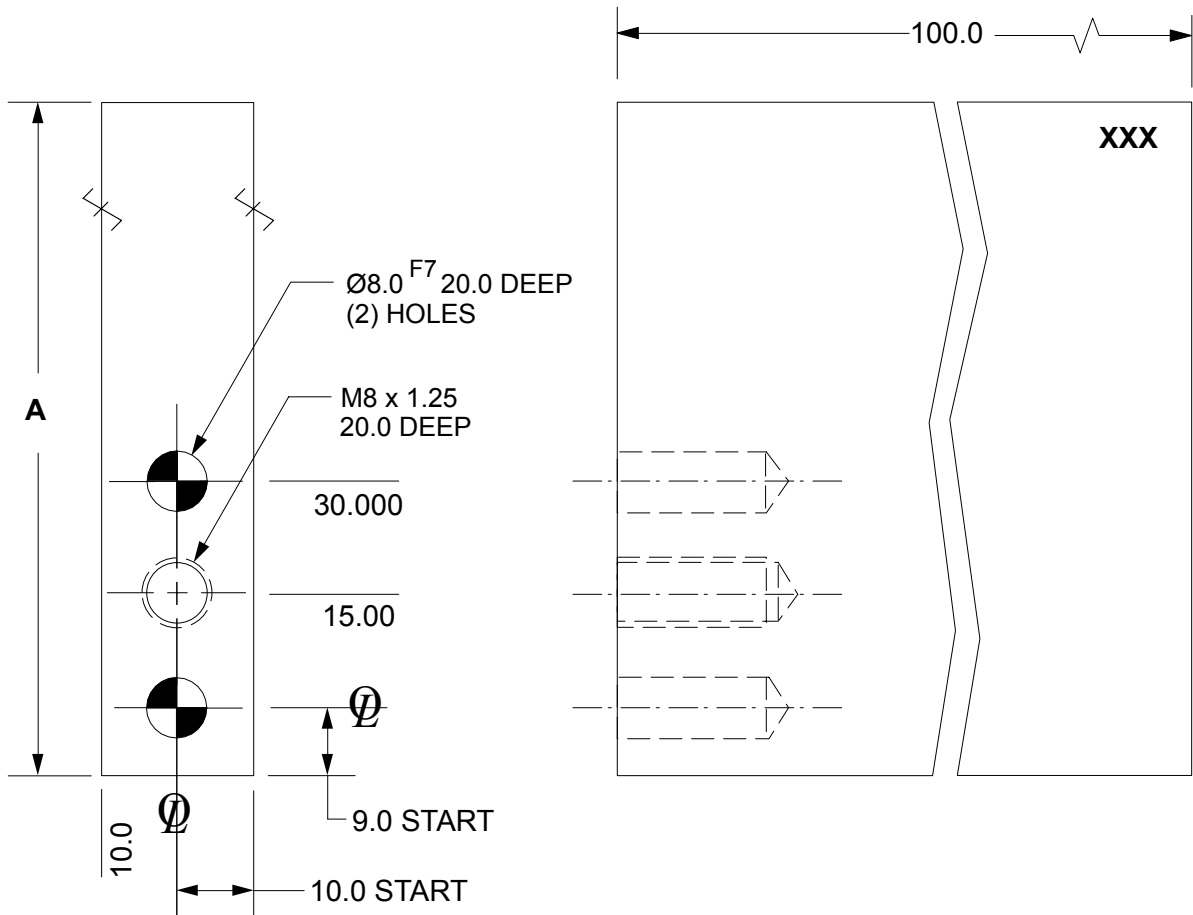
# NC BLOCK BLANKS 20 mm SERIES ANR320 THRU ANR323

Tolerances:

- 1 PLACE  $\pm 0.3$
- 2 PLACE  $\pm 0.03$
- 3 PLACE  $\pm 0.020$

 SURFACES TO BE FLAT, PARALLEL & PERPENDICULAR TO WITHIN 0.015 T.I.R.

NOTE: Identify with NAAMS CODE number as shown **XXX**.  
Black Oxide Finish  
No Black Oxide Finish to "SS Type" Components



**A**


SEE PAGE B-1.1 FOR GLOBAL MATERIALS CHART

NAAMS CODE	A	MATERIAL	WT. kg
ANR320	80.0	STEEL SAE 4140	1.2
ANR321	80.0	SS type 303 or 304	1.2
ANR322	120.0	STEEL SAE 4140	1.9
ANR323	120.0	SS type 303 or 304	1.9

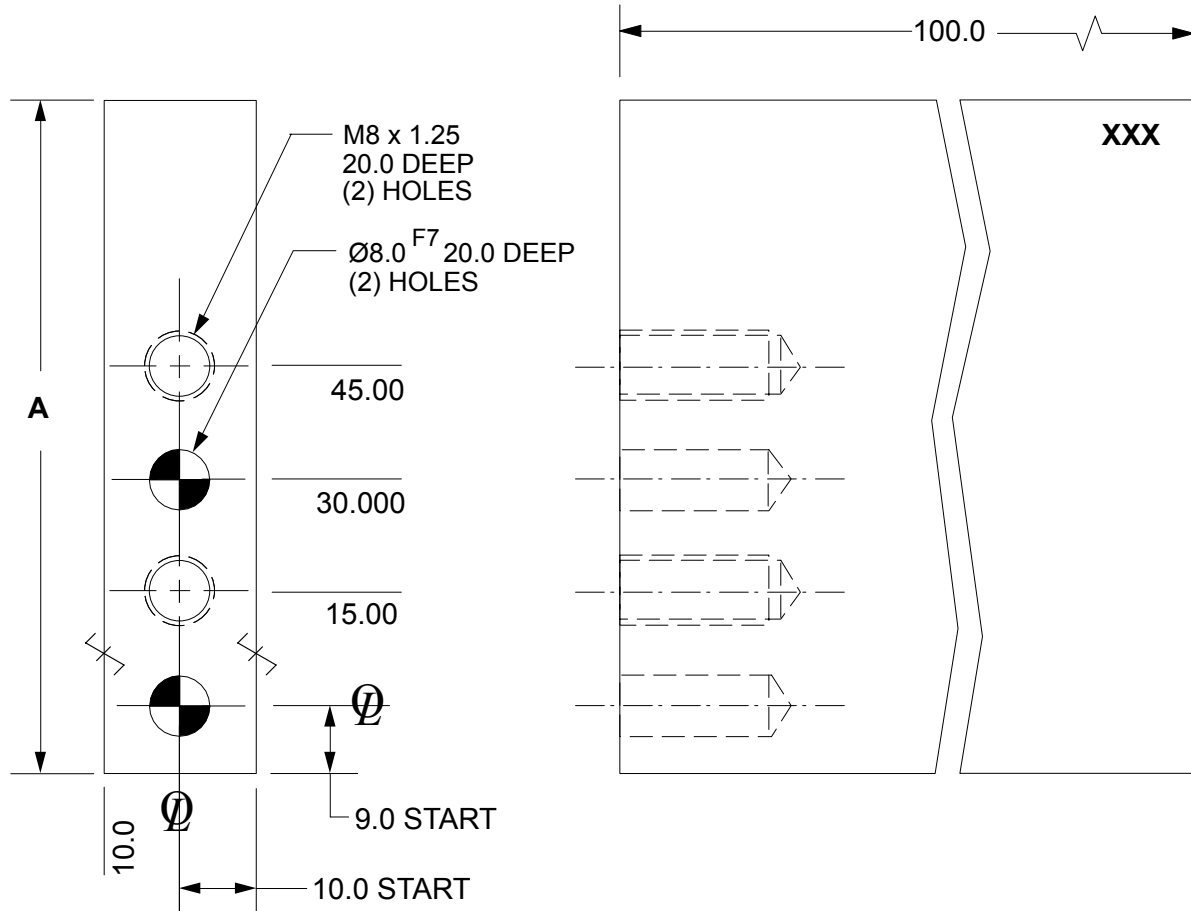
# NC BLOCK BLANKS 20 mm SERIES ANR311 THRU ANR314

Tolerances:

- 1 PLACE  $\pm 0.3$
- 2 PLACE  $\pm 0.03$
- 3 PLACE  $\pm 0.020$

 SURFACES TO BE FLAT, PARALLEL & PERPENDICULAR TO WITHIN 0.015 T.I.R.

NOTE: Identify with NAAMS CODE number as shown **XXX**.  
Black Oxide Finish  
No Black Oxide Finish to "SS Type" Components



**A**

SEE PAGE B-1.1 FOR GLOBAL MATERIALS CHART

NAAMS CODE	A	MATERIAL	WT. kg
ANR311	80.0	STEEL SAE 4140	1.2
ANR312	80.0	SS type 303 or 304	1.2
ANR313	120.0	STEEL SAE 4140	1.9
ANR314	120.0	SS type 303 or 304	1.9