

L-BLOCKS COMPONENTS INDEX

PAGE	DATE	NAAMS CODE	DESCRIPTION
H-1	02/12/14		L-Blocks Components Index
H-1.1	02/12/14		L-Blocks Components Index
H-2	08/13/07	Discontinued	L-Block (Full Metric) (3 and 4-Hole)
H-3	02/12/14	ALB020M – ALB023M	L-Block (Full Metric) (3 and 4-Hole)
H-4	08/13/07	Discontinued	L-Block (Full Metric) (3-Hole)
H-5	02/12/14	ALB050M – ALB061M	L-Block (Full Metric) (3-Hole)
H-6	02/12/14	ALB070M – ALB081M	L-Block (Full Metric) (4-Hole)
H-7	08/13/07	Discontinued	L-Block (Full Metric) (3-Hole, Wide)
H-8	02/12/14	ALB100M – ALB103M	L-Block (Full Metric) (3-Hole, Wide)
H-9	02/12/14	ALB110M R/L – ALB113M R/L	L-Block (Full Metric) (4-Hole, Wide)
H-10	02/12/14	ALB115M & ALB116M	L-Block (Full Metric) (4-Hole, Wide)
H-11	08/13/07	Discontinued	L-Block (Full Metric) (T-Shaped)
H-12	02/12/14	ALB130M – ALB133M	L-Block (Full Metric) (T-Shaped)
H-13	02/12/14	ALB140M – ALB151M	L-Block (Full Metric) (T-Shaped)
H-14	08/13/07	Discontinued	L-Block (Small) (Full Metric) (3-Hole)
H-15	08/13/07	Discontinued	L-Block (Small) (Full Metric) (4-Hole)
H-16	08/13/07	Discontinued	L-Block (Small) (Full Metric) (3-Hole Wide)
H-17	08/13/07	Discontinued	L-Block (Small) (Full Metric) (4-Hole Wide)
H-18	08/13/07	Discontinued	L-Block (Small) (Full Metric) (T-Shaped)
H-19	08/13/07	Discontinued	L-Block (Small) (Full Metric) (T-Shaped)
H-20	08/13/07	Discontinued	L-Block (3 and 4-Hole, Inch Dimension Holes)
H-21	02/12/14	ALB020 – ALB023	L-Block (3 and 4-Hole, Inch Dimension Holes)
H-22	08/13/07	Discontinued	L-Block (3-Hole, Inch Dimension Holes)
H-23	02/12/14	ALB050 – ALB061	L-Block (3-Hole, Inch Dimension Holes)
H-24	02/12/14	ALB050 – ALB061	L-Block (4-Hole, Inch Dimension Holes)
H-25	08/13/07	Discontinued	L-Block (3-Hole, Wide, Inch Dimension Holes)
H-26	02/12/14	ALB100 – ALB103	L-Block (3-Hole, Wide, Inch Dimension Holes)
H-27	02/12/14	ALB110 – ALB113	L-Block (4-Hole, Wide, Inch Dimension Holes)
H-28	02/12/14	ALB115 – ALB116	L-Block (4-Hole, Wide, Inch Dimension Holes)

L-BLOCKS COMPONENTS INDEX

PAGE	DATE	NAAMS CODE	DESCRIPTION
H-29	08/13/07	Discontinued	L-Block (T-Shaped, Inch Dimension Holes)
H-30	02/12/14	ALB130 – ALB133	L-Block (T-Shaped, Inch Dimension Holes)
H-31	02/12/14	ALB140 – ALB151	L-Block (T-Shaped, Inch Dimension Holes)
H-32	08/13/07	Discontinued	L-Block (Small) (3-Hole, Inch Dimension Holes)
H-33	08/13/07	Discontinued	L-Block (Small) (4-Hole, Inch Dimension Holes)
H-34	08/13/07	Discontinued	L-Block (Small) (Wide, Inch Dimension Holes)
H-35	08/13/07	Discontinued	L-Block (Small) (Wide, Inch Dimension Holes)
H-36	08/13/07	Discontinued	L-Block (Small) (T-Shaped, Inch Dimension Holes)
H-37	08/13/07	Discontinued	L-Block (Small) (T-Shaped, Inch Dimension Holes)
H-38	02/12/14	ALB320M – ALB323M	L-Block – 20 mm Series (Full Metric)
H-39	03/31/10	Discontinued	L-Block – 20 mm Series (Full Metric)
H-40	02/12/14	ALB370M – ALB381M	L-Block – 20 mm Series (Full Metric)
H-41	09/05/12	Discontinued	L-Block – 20 mm Series (Full Metric)
H-42	02/12/14	ALB410M – ALB413M	L-Block – 20 mm Series (Full Metric)
H-43	02/12/14	ALB415M – ALB416M	L-Block – 20 mm Series (Full Metric)
H-44	02/12/14	ALB430M – ALB433M	L-Block – 20 mm Series (Full Metric)
H-45	02/12/14	ALB330M – ALB341M	L-Block – 20 mm Series (Full Metric)
H-46	02/12/14	ALB510M - ALB513M	L-Block - 20mm Series (Full Metric)
H-47	02/12/14	ALB521M - ALB524M	L-Block - 20mm Series (Full Metric)
H-48	02/12/14	ALB531M - ALB532M	L-Block - 20mm Series (Full Metric)
H-49	02/12/14	ALB551M - ALB554M	L-Block - 20mm Series (Full Metric)
H-50	02/12/14	ALB540M - ALB543M	L-Block - 20mm Series (Full Metric)
H-51	02/12/14	ALB560M - ALB563M	L-Block - 20mm Series (Full Metric)
H-52	02/12/14	ALB570M - ALB573M	L-Block - 20mm Series (Full Metric)
H-53	02/12/14	ALB580M - ALB583M	L-Block - 20mm Series (Full Metric)

L BLOCK (SMALL) (FULL METRIC) ALB240M, 241M

GLOBAL STANDARD COMPONENTS



Assembly

08/13/07

B

Tolerances: METRIC

- 1 PLACE ± 0.3
- 2 PLACE ± 0.03
- 3 PLACE ± 0.020

✓ SURFACES TO BE FLAT, PARALLEL & PERPENDICULAR TO WITHIN 0.015 T.I.R.

MATERIAL: STEEL ASTM A-36

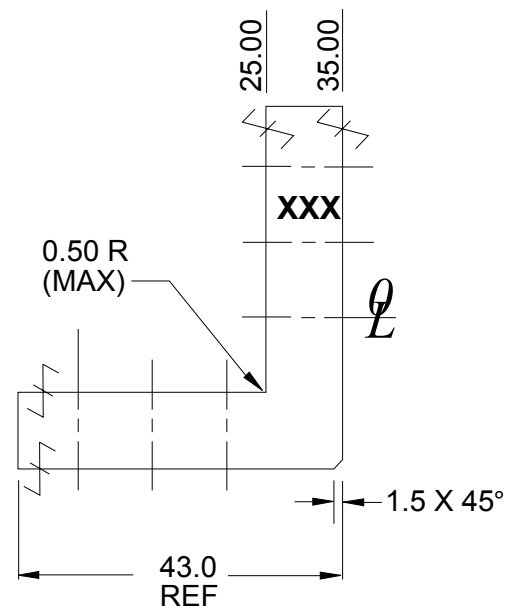
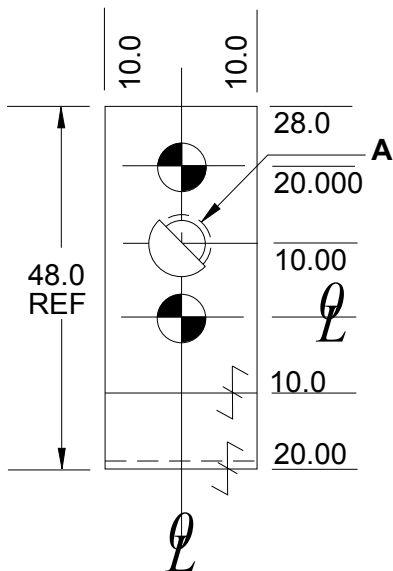
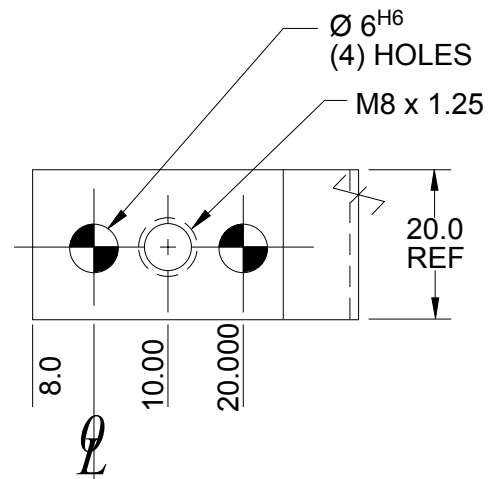
NOTE: Identify with NAAMS CODE number as shown **XXX**.

Black Oxide Finish

SEE PAGE B-1.1 FOR GLOBAL MATERIALS CHART

C

A



NAAMS CODE	A
ALB 240M	M8 x 1.25
ALB 241M	9.00

L BLOCK (SMALL) ALB240, 241

GLOBAL STANDARD COMPONENTS



Assembly

08/13/07

B

Tolerances: METRIC

1 PLACE ± 0.3

2 PLACE ± 0.03

3 PLACE ± 0.020

✓ SURFACES TO BE FLAT, PARALLEL & PERPENDICULAR TO WITHIN 0.015 T.I.R.

MATERIAL: STEEL ASTM A-36

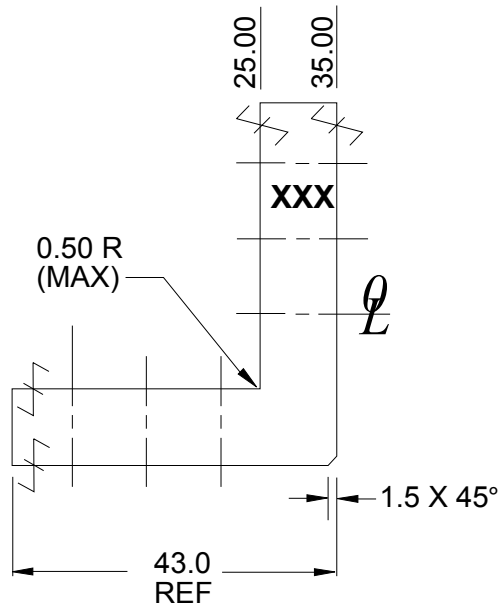
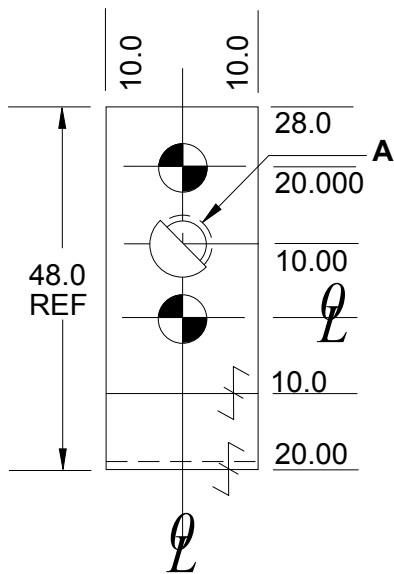
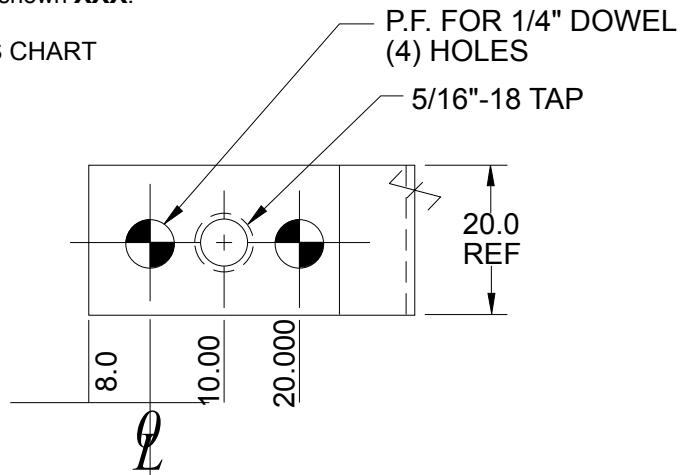
NOTE: Identify with NAAMS CODE number as shown **XXX**.

Black Oxide Finish

SEE PAGE B-1.1 FOR GLOBAL MATERIALS CHART

C

A




NAAMS CODE	A
ALB 240	5/16 x 18 tap
ALB 241	11/32

L BLOCK (SMALL) (FULL METRIC) ALB230M, 231M

B
C
A

Tolerances: METRIC

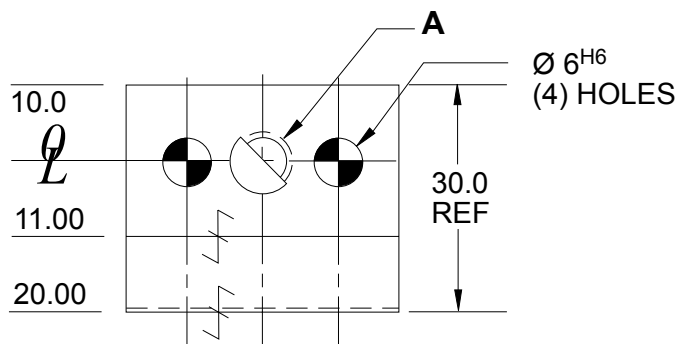
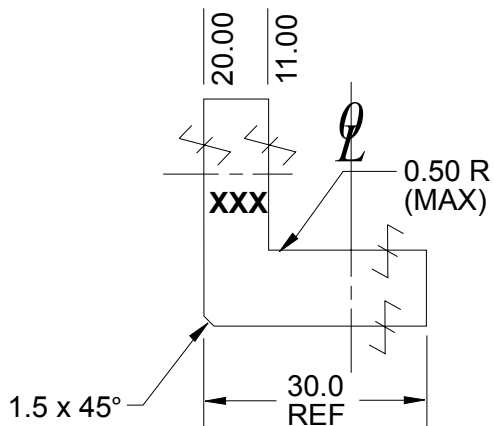
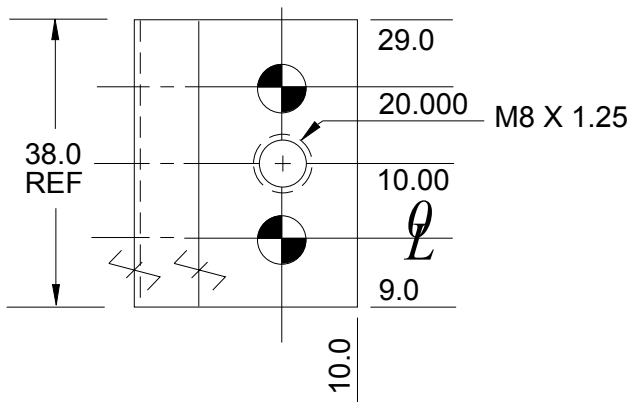
- 1 PLACE ± 0.3
- 2 PLACE ± 0.03
- 3 PLACE ± 0.020

 SURFACES TO BE FLAT, PARALLEL & PERPENDICULAR TO WITHIN 0.015 T.I.R.

MATERIAL: STEEL ASTM A-36

NOTE: Identify with NAAMS CODE number as shown **XXX**.
Black Oxide Finish

SEE PAGE B-1.1 FOR GLOBAL MATERIALS CHART



NAAMS CODE	A
ALB 230M	M8 x1.25
ALB 231M	9.00

L BLOCK (SMALL)

ALB230, 231

GLOBAL STANDARD COMPONENTS



Assembly

08/13/07

B

Tolerances: METRIC

- 1 PLACE ± 0.3
- 2 PLACE ± 0.03
- 3 PLACE ± 0.020

SURFACES TO BE FLAT, PARALLEL & PERPENDICULAR TO WITHIN 0.015 T.I.R.

MATERIAL: STEEL ASTM A-36

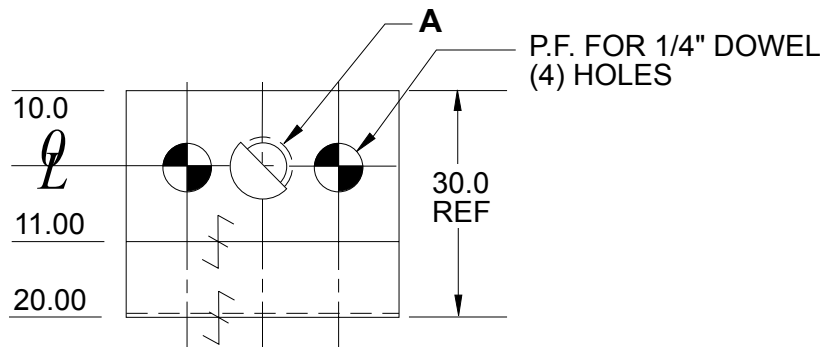
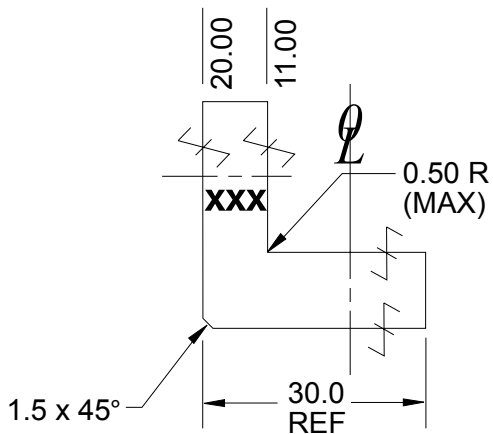
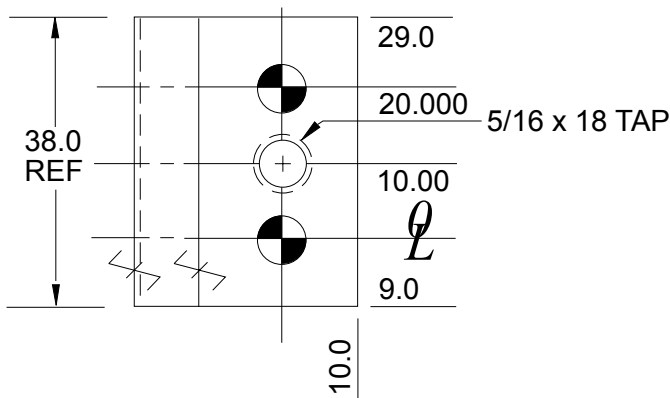
NOTE: Identify with NAAMS CODE number as shown **XXX**.

Black Oxide Finish

SEE PAGE B-1.1 FOR GLOBAL MATERIALS CHART

C

A



NAAMS CODE	A
ALB 230	5/16 x 18 TAP
ALB 231	11/32

L BLOCK (SMALL) ALB280, 281

GLOBAL STANDARD COMPONENTS



Assembly

08/13/07

B

Tolerances: METRIC

1 PLACE ± 0.3

2 PLACE ± 0.03

3 PLACE ± 0.020

✓ SURFACES TO BE FLAT, PARALLEL & PERPENDICULAR TO WITHIN 0.015 T.I.R.

MATERIAL: STEEL ASTM A-36

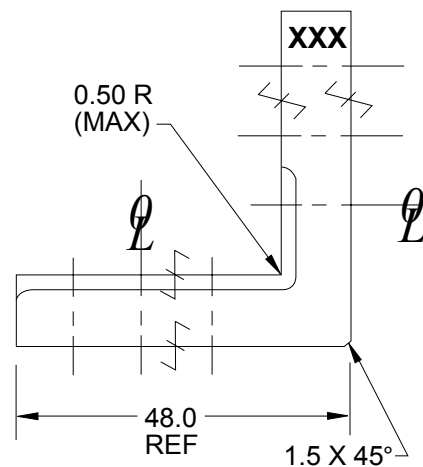
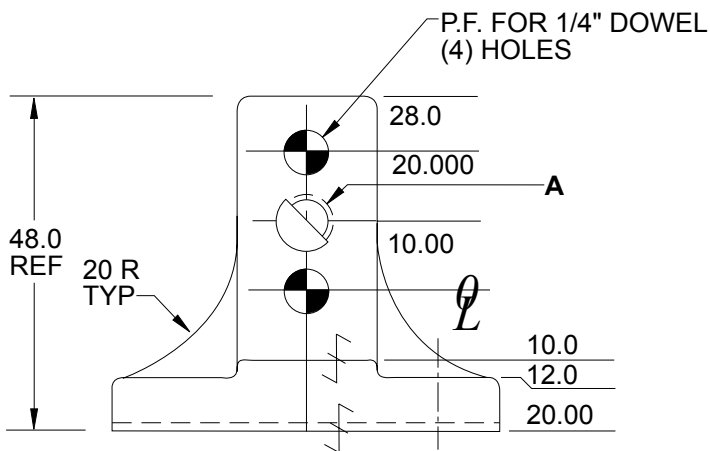
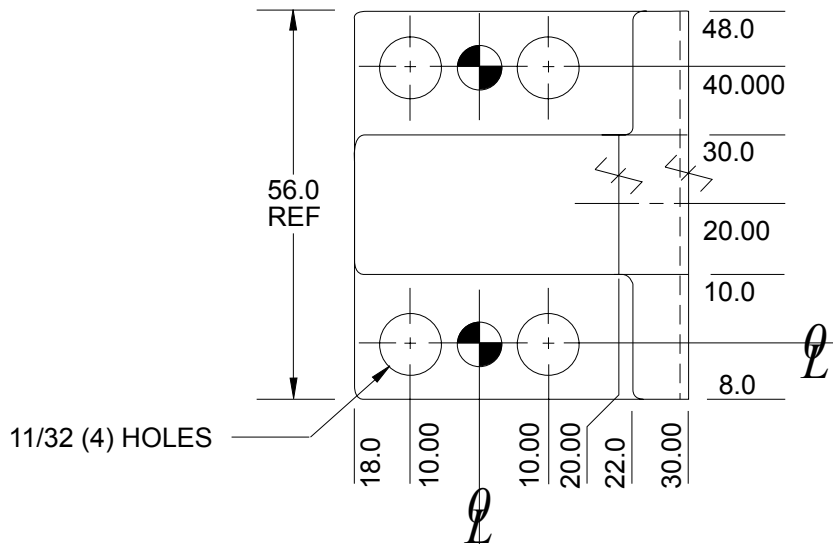
NOTE: Identify with NAAMS CODE number as shown **XXX**.

Black Oxide Finish

SEE PAGE B-1.1 FOR GLOBAL MATERIALS CHART

C

A



NAAMS CODE	A
ALB 280	5/16 x 18 tap
ALB 281	11/32

L BLOCK (SMALL) (FULL METRIC) ALB280M, 281M

GLOBAL STANDARD COMPONENTS



Assembly

08/13/07

B

C

A

Tolerances: METRIC

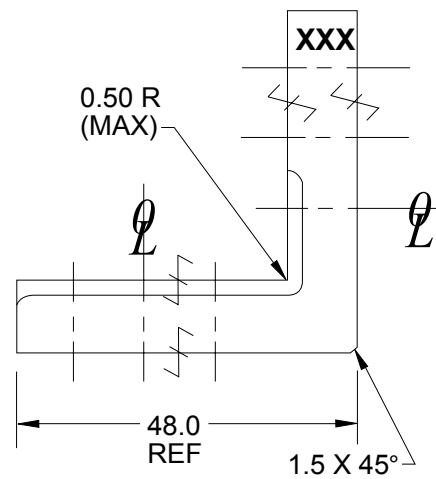
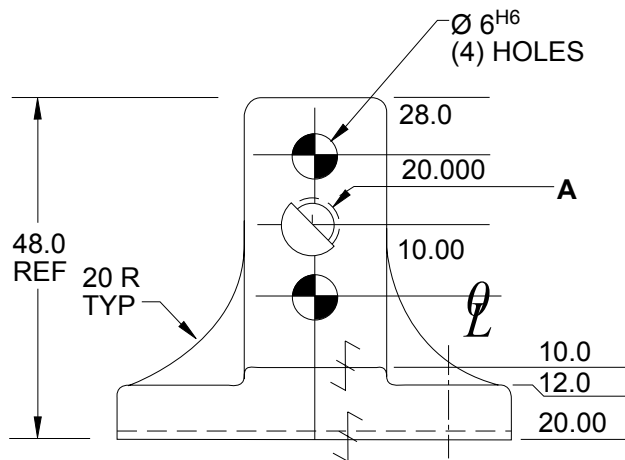
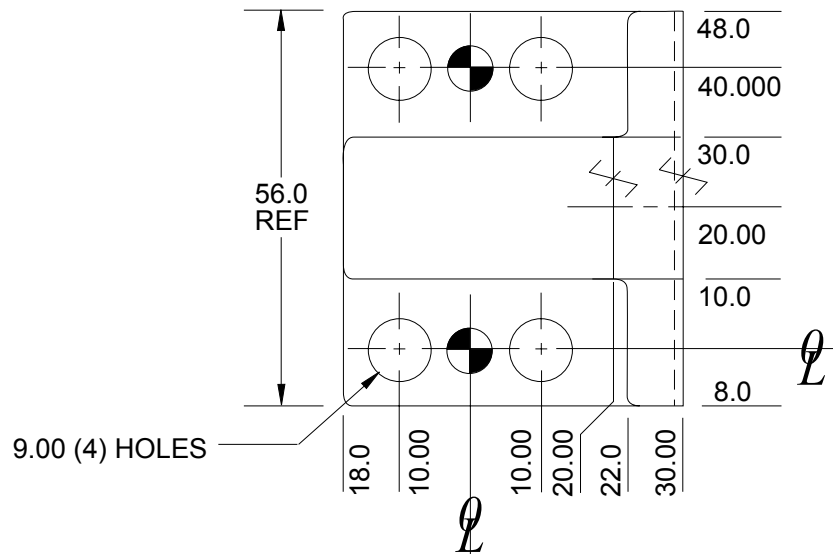
- 1 PLACE ± 0.3
- 2 PLACE ± 0.03
- 3 PLACE ± 0.020

SURFACES TO BE FLAT, PARALLEL & PERPENDICULAR TO WITHIN 0.015 T.I.R.

MATERIAL: STEEL ASTM A-36

NOTE: Identify with NAAMS CODE number as shown **XXX**.
Black Oxide Finish

SEE PAGE B-1.1 FOR GLOBAL MATERIALS CHART



NAAMS CODE	A
ALB 280M	M8 x 1.25
ALB 281M	9.0