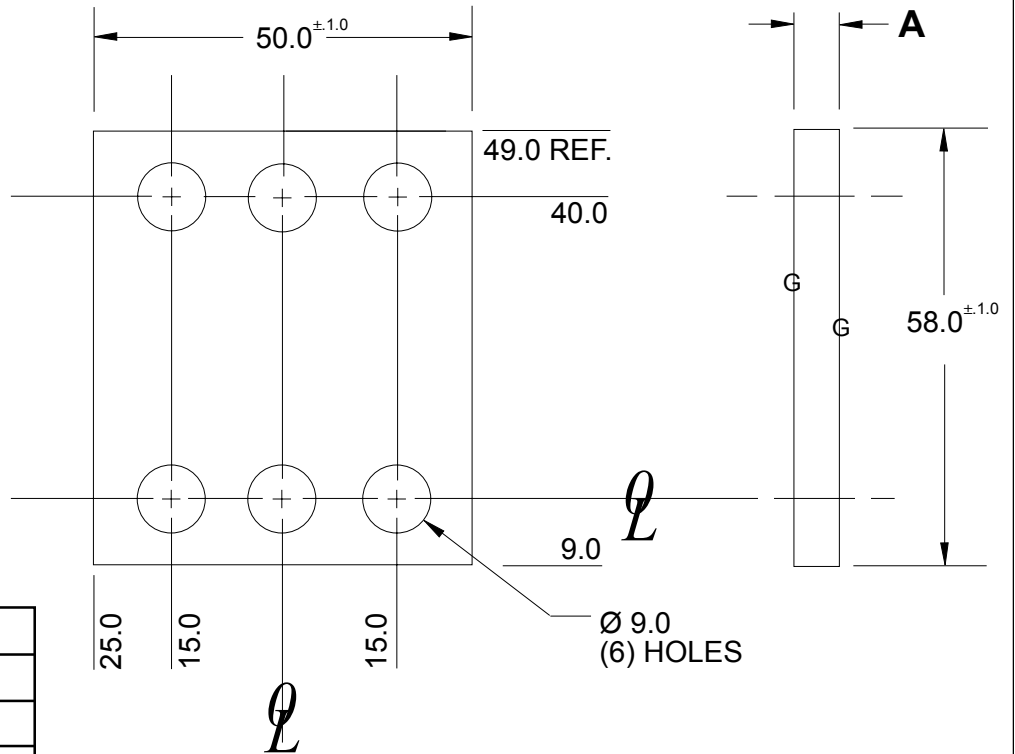


METRIC FITTING SPACERS

20 mm

6 - HOLE



NAAMS CODE	A
ASP630N	3.00
ASP632N	3.20
ASP634N	3.40
ASP636N	3.60
ASP638N	3.80
ASP640N	4.00
ASP642N	4.20
ASP644N	4.40
ASP646N	4.60
ASP648N	4.80
ASP650N	5.00
ASP652N	5.20
ASP654N	5.40
ASP656N	5.60
ASP658N	5.80
ASP660N	6.00
ASP662N	6.20
ASP664N	6.40
ASP666N	6.60
ASP668N	6.80
ASP670N	7.00

NOTE:

- 1.) ELECTROETCH DIM A ON EDGE OF SPACER
- 2.) BLACK OXIDE FINISH
- 3.) SURFACES TO BE FLAT AND PARALLEL TO WITHIN 0.015 mm T.I.R.

TOLERANCES:

- 1 PLACE ± 0.3
- 2 PLACE ± 0.03

MATERIAL: S.A.E. 1020 HRS

SEE PAGE B-1.1 FOR GLOBAL MATERIALS CHART

A