

Lateral Plungers· smooth, with seal, with female thread - INCH

2B150.1141



Product Description

To be used for positioning and applying pressure, e.g. during painting and sandblasting. Sealed against chips and dirt.

Material

Seal

- CR

Body

- Aluminium

Threaded washer

- Steel, blackened

Spring

- Steel, blackened

Assembly

Formula for calculating the center distance for the mounting hole:

$$l_0 = z/2 + w + x,$$

l_0 = center distance,

y = workpiece height,

w = workpiece length,

x = stroke,

z = stop diameter

Calculation dimension x for workpieces: $x = d_2/2 - s$

Installation by pressing in.

Characteristic

Standard spring load = spring from steel, blackened

More information

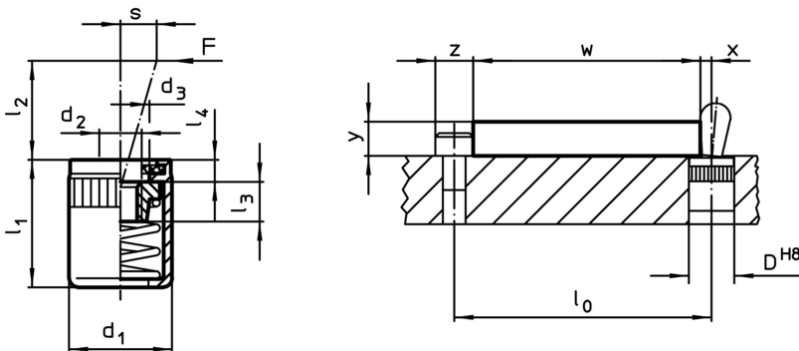
Notes

Individual set screws can be screwed in the plate with threaded hole.

Further products

- Eccentric Mounting Bushings, for lateral plungers, smooth - INCH

Drawing





Order information

Dimensions		Spring load F max. ¹⁾	d ₃ +0,008	l ₁ -0,04	Dimensions			Stroke s	Location hole D H8	max. [°F]	oz	Art. No.
d ₁	d ₂				l ₂	l ₃	l ₄					
[inch]		[lb]	[mm]		[inch]		[inch]	[inch]				
standard spring load												
5/8	1/4-20	34	0,401	0,709	0,453	0,295	0,079	0,126	5/8	230	0,317	2B150.1141

¹⁾ statistical average value

Accessories

	Dimensions d ₁ [inch]	 [oz]	Art. No.
assembly tool			
	5/8	3,749	22150.0833