

## Lateral Plungers - smooth, with seal, with female thread - INCH

2B150.1126



### Product Description

To be used for positioning and applying pressure, e.g. during painting and sandblasting. Sealed against chips and dirt.

#### Material

##### Seal

- CR

##### Body

- Aluminium

##### Threaded washer

- Steel, blackened

##### Spring

- Steel, blackened

#### Assembly

Formula for calculating the center distance for the mounting hole:

$$l_0 = z/2 + w + x,$$

$l_0$  = center distance,

$y$  = workpiece height,

$w$  = workpiece length,

$x$  = stroke,

$z$  = stop diameter

Calculation dimension  $x$  for workpieces:  $x = d_2/2 - s$

Installation by pressing in.

#### Characteristic

Standard spring load = spring from steel, blackened

#### More information

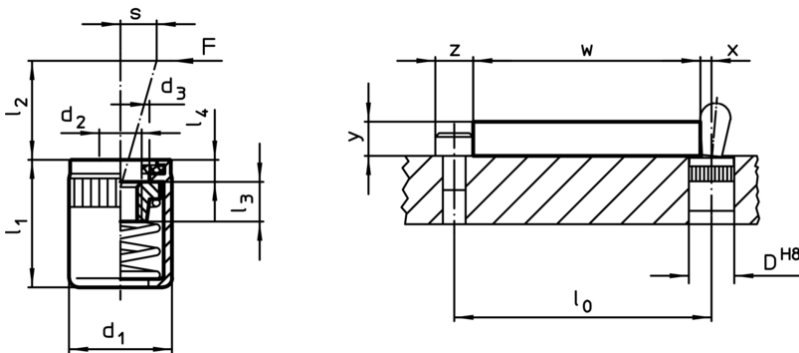
#### Notes

Individual set screws can be screwed in the plate with threaded hole.

#### Further products

- Eccentric Mounting Bushings, for lateral plungers, smooth - INCH

### Drawing


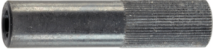


### Order information

Dimensions		Spring load F max. <sup>1)</sup>	d <sub>3</sub> +0,008	l <sub>1</sub> -0,04	Dimensions			Stroke s	Location hole D H8	max. [°F]	oz	Art. No.
d <sub>1</sub>	d <sub>2</sub>				d <sub>3</sub>	l <sub>1</sub>	l <sub>2</sub>					
[inch]	[inch]	[lb]	[mm]	[mm]	[inch]			[inch]	[inch]	[°F]	[oz]	
7/16	8-32	16,9	0,248	0,43	0,295	0,177	0,063	0,079	7/16	230	0,096	2B150.1126

<sup>1)</sup> statistical average value

Accessories

	Dimensions d <sub>1</sub> [inch]	 [oz]	Art. No.
assembly tool			
	7/16	1,749	22150.0831