

Lateral Plungers· smooth, without seal, with female thread - INCH

2B150.1040



Product Description

To be used for positioning and applying pressure, e.g. during painting and sandblasting.

Material

Body

- Aluminium

Threaded washer

- Steel, blackened

Spring

- Stainless steel

Assembly

Formula for calculating the center distance for the mounting hole:

$$l_0 = z/2 + w + x,$$

l_0 = center distance,

y = workpiece height,

w = workpiece length,

x = stroke,

z = stop diameter

Calculation dimension x for workpieces: $x =$

$$d_2/2 - s$$

Installation by pressing in.

Characteristic

Light spring load = spring from stainless steel

More information

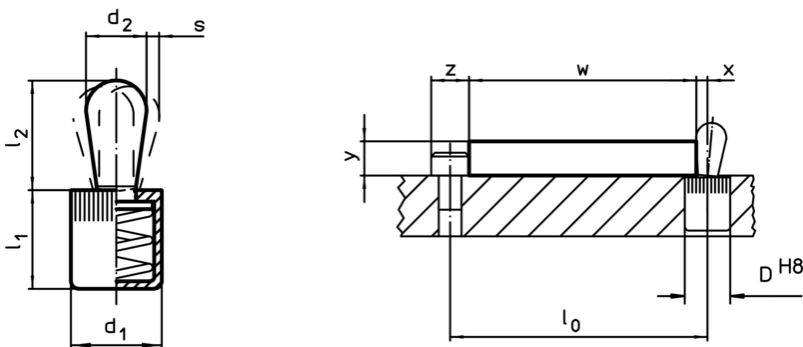
Notes

Individual set screws can be screwed in the plate with threaded hole.

Further products

- Eccentric Mounting Bushings, for lateral plungers, smooth - INCH

Drawing


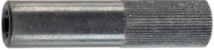


Order information

Dimensions		Spring load F max. ¹⁾ ~ [lb]	d ₃ +0,008	l ₁ -0,04	Dimensions			Stroke s [inch]	Location hole D H8 [inch]	max. [°F]	oz	Art. No.
d ₁	d ₂				l ₂	l ₃	l ₄					
[inch]					[inch]							
light spring load												
5/8	1/4-20	22,5	0,409	0,669	0,453	0,295	0,067	0,126	5/8	482	0,357	2B150.1040

¹⁾ statistical average value

Accessories

	Dimensions d ₁ [inch]	 [oz]	Art. No.
assembly tool			
	5/8	3,749	22150.0833