

Eccentric Mounting Bushings• for lateral plungers, smooth - INCH

2B150.0812



Product Description

The eccentric is used in conjunction with smooth lateral plungers EH 22150. for positioning or clamping workpieces with large tolerances.

Material

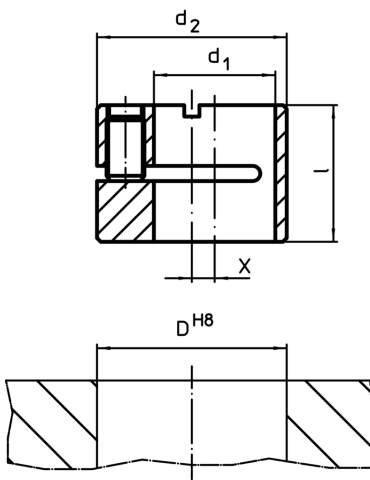
Body

- Steel, blackened

Assembly

The eccentric is fitted and positioned by clamping with a threaded pin.

Drawing



Order information

d ₁	d ₂	Dimensions		Location hole D H8 [inch]	[oz]	Art. No.
		l [inch]	x			
1/2	3/4	0,547	0,079	3/4	0,499	2B150.0812