

## Eccentric Mounting Bushings• for lateral plungers, smooth - INCH

2B150.0810



### Product Description

The eccentric is used in conjunction with smooth lateral plungers EH 22150. for positioning or clamping workpieces with large tolerances.

### Material

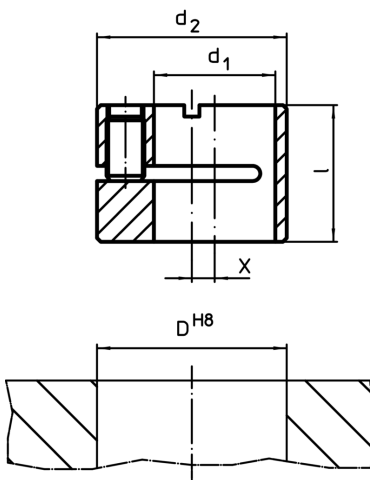
#### Body

- Steel, blackened

### Assembly

The eccentric is fitted and positioned by clamping with a threaded pin.

### Drawing



### Order information

| d <sub>1</sub> | d <sub>2</sub> | Dimensions |        | x     | Location hole<br>D<br>H8<br>[inch] | [oz]  | Art. No.   |
|----------------|----------------|------------|--------|-------|------------------------------------|-------|------------|
|                |                | l          | [inch] |       |                                    |       |            |
| 7/16           | 11/16          | 0,469      |        | 0,079 | 11/16                              | 0,392 | 2B150.0810 |