

## Eccentric Mounting Bushings• for lateral plungers, smooth - INCH

2B150.0806



### Product Description

The eccentric is used in conjunction with smooth lateral plungers EH 22150. for positioning or clamping workpieces with large tolerances.

### Material

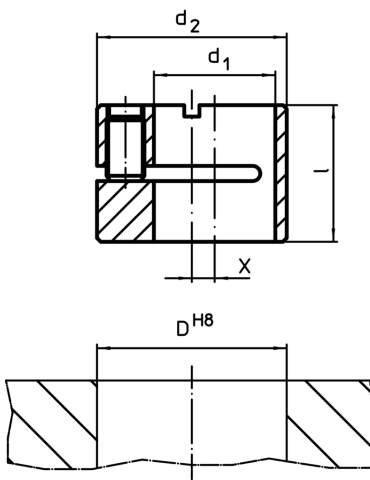
#### Body

- Steel, blackened


### Assembly

The eccentric is fitted and positioned by clamping with a threaded pin.

### Drawing



### Order information

d <sub>1</sub>	d <sub>2</sub>	Dimensions		Location hole D H8 [inch]	 [oz]	Art. No.
		l [inch]	x			
1/4	1/2	0,39	0,079	1/2	0,214	2B150.0806