

Lateral Plungers with plastic spring and pin - INCH

2B150.0222



Product Description

To be used for positioning and applying pressure, e.g. during painting and sandblasting.

Material

Body

- Aluminium

Spring

- Plastic

Pin

- Steel, case-hardened, blackened

Assembly

Installation by pressing in.

Formula for calculating the center distance for the mounting hole:

$$l_0 = z/2 + w + x,$$

l_0 = center distance,

y = workpiece height,

w = workpiece length,

x = coordinate dimension,

s = stroke,

z = stop diameter

Calculation dimension x :

y greater than or equal to $l_2 - d_2/2$, then $x = d_2/2 - s$

or

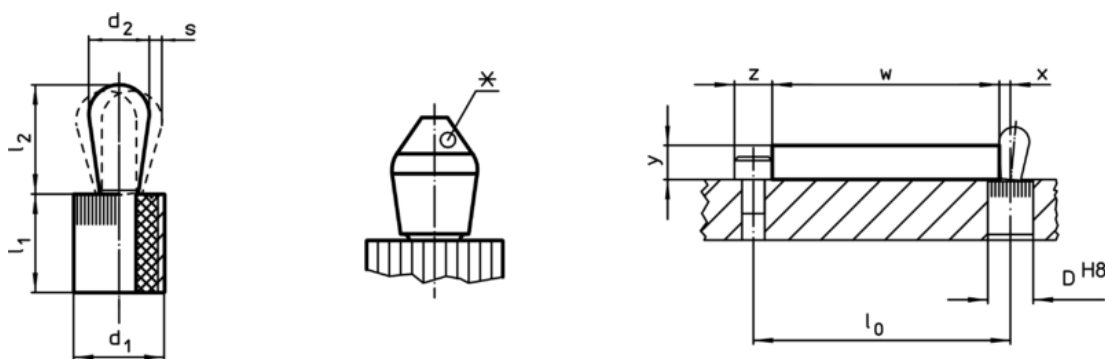
y smaller than $l_2 - d_2/2$, then $x =$

$$d_2/2 - s - [(l_2 - d_2/2 - y) * 0,123]$$

Characteristic

Heavy spring load = green spring

Drawing




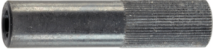
*some sizes (see chart) have a deviating pin shape

Order information

Dimensions		Spring load F max. ¹⁾ ~ [lb]	Dimensions		Stroke s [inch]	Location hole D H8 [inch]	max. [°F]	oz	Art. No.
d ₁ [inch]	d ₂ [inch]		l ₁ -0,03 [inch]	l ₂ ±0,02 [inch]					
7/16	0,197	20	0,374	0,287	0,032	0,438	212	0,096	2B150.0222

¹⁾ statistical average value

Accessories

	Dimensions d ₁ [inch]	 [oz]	Art. No.
assembly tool			
	7/16	1,749	22150.0831