

Lateral Plungers· smooth, without seal - INCH

2B150.0065



Product Description

To be used for positioning and applying pressure, e.g. during painting and sandblasting.

Material

Body

- Aluminium

Spring

- Stainless steel

Pin

- Thermoplastic POM, white

Assembly

Installation by pressing in.

Formula for calculating the center distance for the mounting hole:

$$l_0 = z/2 + w + x,$$

l_0 = center distance,

y = workpiece height,

w = workpiece length,

x = coordinate dimension,

s = stroke,

z = stop diameter

Calculation dimension x :

y greater than or equal to $l_2 - d_2/2$, then $x =$

$$d_2/2 - s$$

or

y smaller than $l_2 - d_2/2$, then $x =$

$$d_2/2 - s - [(l_2 - d_2/2 - y) * 0,123]$$

Characteristic

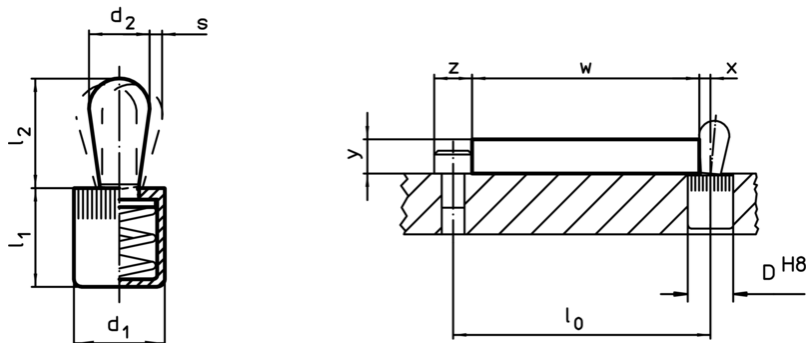
Light spring load = spring from stainless steel

More information

Further products

- Eccentric Mounting Bushings, for lateral plungers, smooth - INCH

Drawing


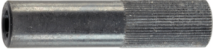


Order information

| Dimensions | | Spring load F max. ¹⁾ ~ [lb] | Dimensions | | Stroke s [inch] | Location hole D H8 [inch] | 🌡️ max. [°F] | 📦 [oz] | Art. No. |
|----------------|----------------|---|----------------|----------------|-----------------------|---------------------------------------|--------------------|-----------|------------|
| d ₁ | d ₂ | | l ₁ | l ₂ | | | | | |
| [inch] | [inch] | | [inch] | [inch] | | | | | |
| 7/16 | 0,236 | 9 | 0,433 | 0,421 | 0,08 | 7/16 | 176 | 0,071 | 2B150.0065 |

¹⁾ statistical average value

Accessories

| | Dimensions d ₁ [inch] |  [oz] | Art. No. |
|---|--|---|------------|
| assembly tool | | | |
|  | 7/16 | 1,749 | 22150.0831 |

Application example

