

Rubber Endstop Buffers• cylindrical

25150.0331



Product Description

To be used as an elastic end-stop, bearing foot etc.
The hardness is $55 \pm 5^\circ$ shore A. Further shore hardnesses ($40 \pm 5^\circ$ shore A and $70 \pm 5^\circ$ shore A) on request.

Material

Support washer

- Steel, zinc-plated, blue chromated

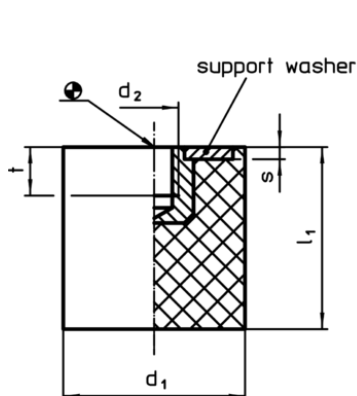
Threaded bushing

- Steel, zinc-plated, blue chromated

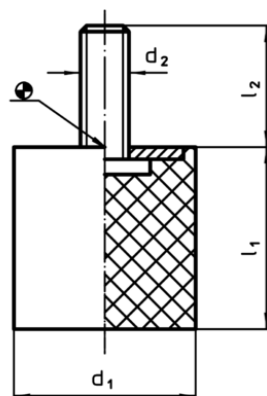
Body

- Natural rubber (caoutchouc NR), black

Drawing



picture 1



picture 2

Order information

Dimensions					Spring rate R ~ [N/mm]	Load capacity max. [N]	Spring range ~ [mm]	Temperature range		Weight [g]	Art. No.
d ₁	l ₁	d ₂	s	t				min.	max.		
[mm]								[°C]			
with female thread – picture 1, Steel											
30	15	M8	2	6,5	294	934	3,75	-30	80	20	25150.0331

Application example

