

Rubber Endstop Buffers• cylindrical

25150.0323



Product Description

To be used as an elastic end-stop, bearing foot etc.
The hardness is $55 \pm 5^\circ$ shore A. Further shore hardnesses ($40 \pm 5^\circ$ shore A and $70 \pm 5^\circ$ shore A) on request.

Material

Support washer

- Steel, zinc-plated, blue chromated

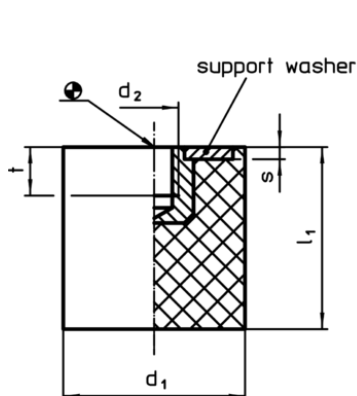
Threaded bushing

- Steel, zinc-plated, blue chromated

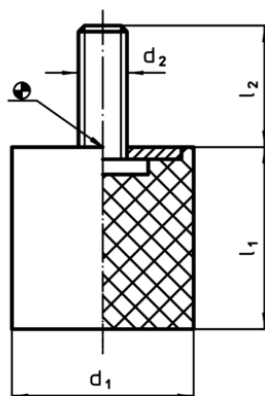
Body

- Natural rubber (caoutchouc NR), black

Drawing



picture 1



picture 2

Order information

Dimensions					Spring rate R ~ [N/mm]	Load capacity max. [N]	Spring range ~ [mm]	Temperature range		Weight [g]	Art. No.
d ₁	l ₁	d ₂	s	t				min.	max.		
with female thread – picture 1, Steel											
20	25	M6	2	5	48	297	6,25	-30	80	10	25150.0323

Application example

