

## Rubber Endstop Buffers• cylindrical

25150.0322



### Product Description

To be used as an elastic end-stop, bearing foot etc.  
The hardness is  $55 \pm 5^\circ$  shore A. Further shore hardnesses ( $40 \pm 5^\circ$  shore A and  $70 \pm 5^\circ$  shore A) on request.

### Material

#### Support washer

- Steel, zinc-plated, blue chromated

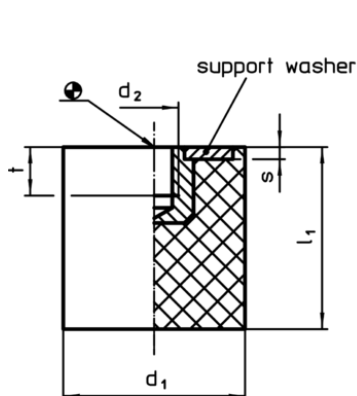
#### Threaded bushing

- Steel, zinc-plated, blue chromated

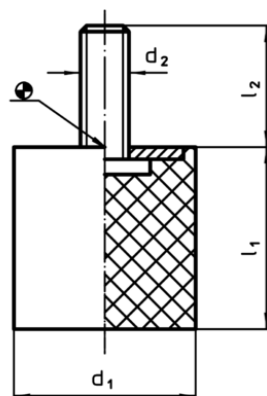
#### Body

- Natural rubber (caoutchouc NR), black

### Drawing



picture 1



picture 2

### Order information

Dimensions					Spring rate R ~ [N/mm]	Load capacity max. [N]	Spring range ~ [mm]	Temperature		Weight [g]	Art. No.
d <sub>1</sub>	l <sub>1</sub>	d <sub>2</sub>	s	t				min.	max.		
with female thread – picture 1, Steel											
20	20	M6	2	5	60	302	5	-30	80	10	25150.0322

### Application example

