

## Rubber Metal Buffers

25150.0031



### Product Description

To be used for elastic bearing of motors, compressors, pumps etc.  
The hardness is  $55 \pm 5^\circ$  shore A. Further shore hardnesses ( $40 \pm 5^\circ$  shore A and  $70 \pm 5^\circ$  shore A) on request.

### Material

#### Support washer

- Steel, zinc-plated, blue chromated

#### Threaded bushing

- Steel, zinc-plated, blue chromated

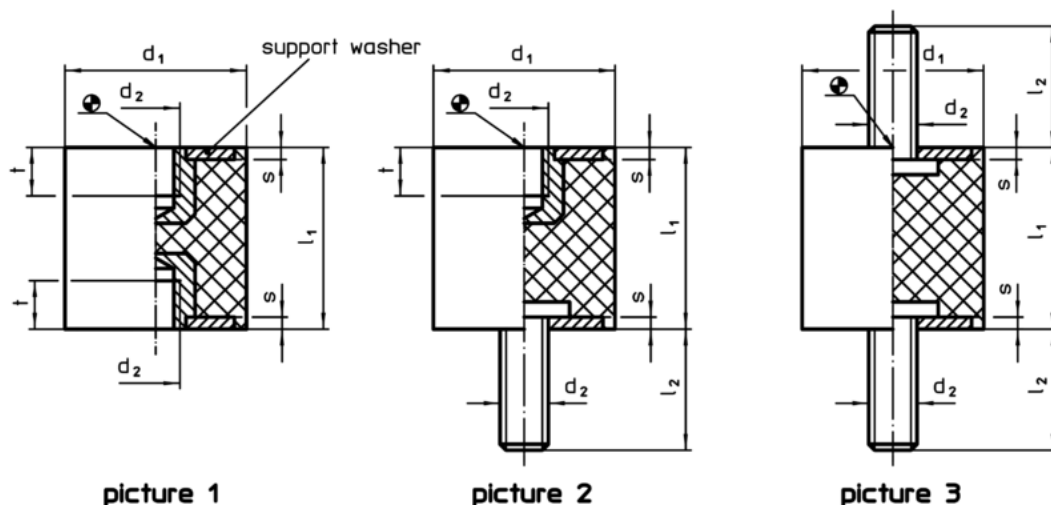
#### Body

- Natural rubber (caoutchouc NR), black

#### Screw

- Steel, zinc-plated, blue chromated

### Drawing



### Order information

Dimensions					Spring rate R ~ [N/mm]	Load capacity max. [N]	Spring range ~ [mm]	Temperature		Weight [g]	Art. No.
d <sub>1</sub> ±1,5	l <sub>1</sub> ±1,5	d <sub>2</sub>	s	t min.				min.	max.		
with female thread on both sides – picture 1											
30	30	M8	2	6,5	114	855	7,5	-30	80	50	25150.0031

### Application example

