

Height Adjusting Elements- high

25120.0136



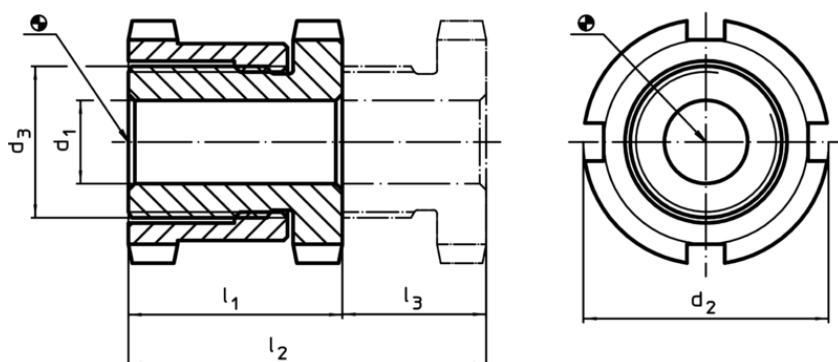
Product Description

For levelling of machines and installations.
For vertical adjustment, the self-locking height adjusting elements are fitted with a fine-pitch thread. All elements have a throughgoing bore for fastening purposes. A turn-out lock serves as height limit for the maximum adjustment height.

Material

- Heat-treated steel, zinc-plated by galvanization, chromalized

Drawing



Order information

Dimensions		Stroke l_3 ~ [mm]	For screw [mm]	Load capacity for static load max. [kN]	Carrying force max. [kN]	Art. No.				
d_1	d_2						d_3 [mm]	l_1 ~	l_2 ~	
26	58	M40 x 1,5	54	86	32	M24	210	37	705	25120.0136

Accessories

For height adjusting element size d_2 [mm]	Dimensions of sickle spanner DIN 1810, form A [mm]	Art. No.
58	58 – 62	25120.0984

Application example

