

Height Adjusting Elements- high

25120.0126



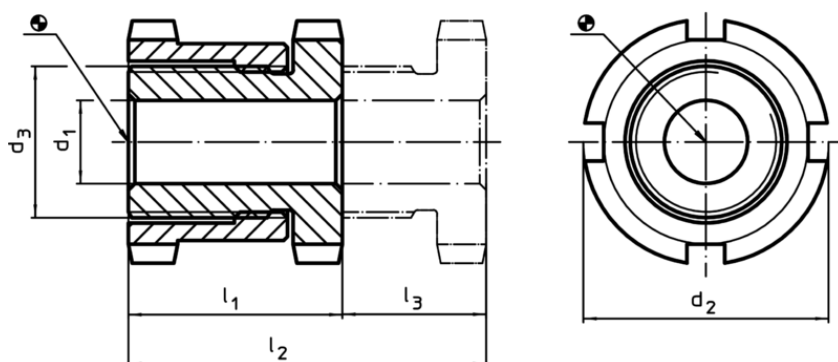
Product Description

For levelling of machines and installations.
For vertical adjustment, the self-locking height adjusting elements are fitted with a fine-pitch thread. All elements have a throughgoing bore for fastening purposes. A turn-out lock serves as height limit for the maximum adjustment height.

Material

- Heat-treated steel, zinc-plated by galvanization, chromalized

Drawing



Order information

d ₁	d ₂	Dimensions		Stroke l ₃ ~ [mm]	For screw [mm]	Load capacity for static load max. [kN]	Carrying force max. [kN]	[g]	Art. No.
		d ₃	l ₁ ~ l ₂						
17,5	45	M30 x 1,5	42 ~ 67	25	M16	120	45,5	321	25120.0126

Accessories

For height adjusting element size d ₂ [mm]	Dimensions of sickle spanner DIN 1810, form A [mm]	[g]	Art. No.
Sickle spanner for vertical adjustment			
45	45 – 50	156	25120.0983

Application example

