

## Height Adjusting Elements- high

25120.0124



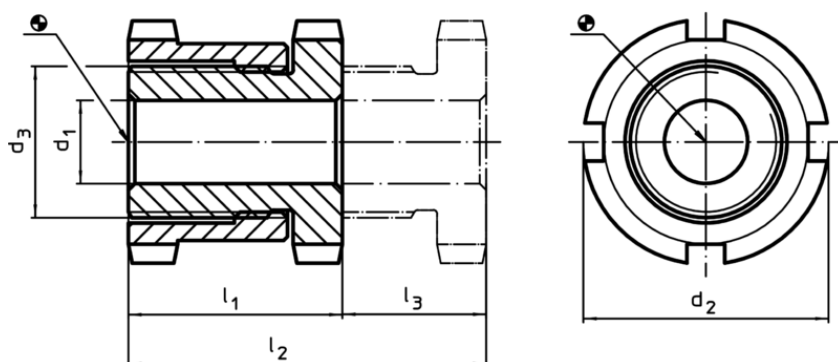
### Product Description

For levelling of machines and installations.  
For vertical adjustment, the self-locking height adjusting elements are fitted with a fine-pitch thread. All elements have a throughgoing bore for fastening purposes. A turn-out lock serves as height limit for the maximum adjustment height.

### Material

- Heat-treated steel, zinc-plated by galvanization, chromalized

### Drawing



### Order information

d <sub>1</sub>	d <sub>2</sub>	Dimensions		Stroke l <sub>3</sub> ~ [mm]	For screw [mm]	Load capacity for static load max. [kN]	Carrying force max. [kN]	[g]	Art. No.
		d <sub>3</sub>	l <sub>1</sub> ~ l <sub>2</sub>						
13,5	45	M30 x 1,5	42 ~ 67	25	M12	120	80,4	357	25120.0124

### Accessories

For height adjusting element size d <sub>2</sub> [mm]	Dimensions of sickle spanner DIN 1810, form A [mm]	[g]	Art. No.
<b>Sickle spanner for vertical adjustment</b>			
45	45 – 50	156	25120.0983

### Application example

