

Height Adjusting Elements

25120.0044



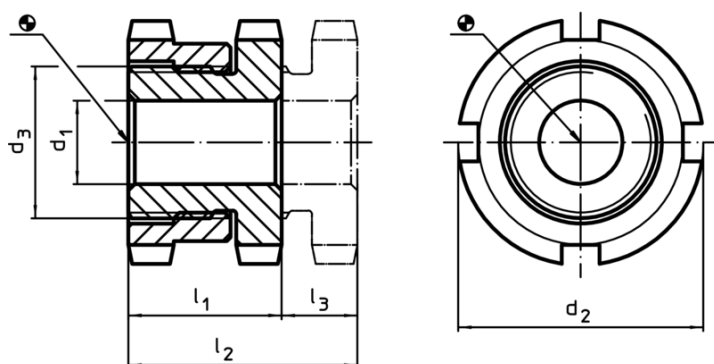
Product Description

For levelling of machines and installations.
For vertical adjustment, the self-locking height adjusting elements are fitted with a fine-pitch thread. All elements have a throughgoing bore for fastening purposes. A turn-out lock serves as height limit for the maximum adjustment height.


Material

- Heat-treated steel, zinc-plated by galvanization, chromalized


Drawing



Order information

d_1	d_2	Dimensions d_3 [mm]	l_1 ~	l_2 ~	Stroke l_3 ~ [mm]	For screw [mm]	Load capacity for static load max. [kN]	Carrying force max. [kN]	 [g]	Art. No.
26	70	M50 x 1,5	33	43	10	M24	330	157	748	25120.0044

Accessories

For height adjusting element size d_2 [mm]	Dimensions of sickle spanner DIN 1810, form A [mm]	 [g]	Art. No.
Sickle spanner for vertical adjustment 70	68 – 75	253	25120.0985

Application example

