

## Height Adjusting Elements

25120.0042



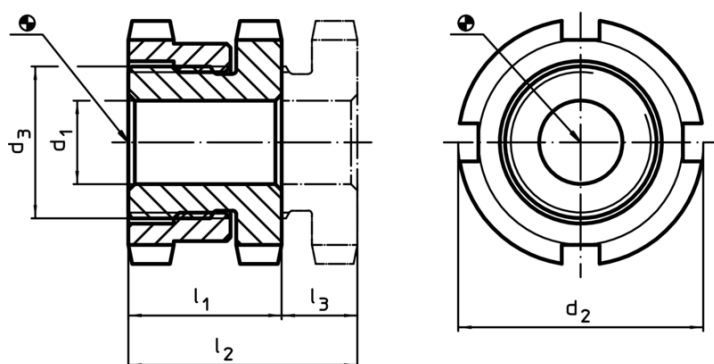
### Product Description

For levelling of machines and installations.  
For vertical adjustment, the self-locking height adjusting elements are fitted with a fine-pitch thread. All elements have a throughgoing bore for fastening purposes. A turn-out lock serves as height limit for the maximum adjustment height.

### Material

- Heat-treated steel, zinc-plated by galvanization, chromalized

### Drawing



### Order information

d <sub>1</sub>	d <sub>2</sub>	Dimensions d <sub>3</sub> [mm]	l <sub>1</sub> ~	l <sub>2</sub> ~	Stroke l <sub>3</sub> ~ [mm]	For screw [mm]	Load capacity for static load max. [kN]	Carrying force max. [kN]	[g]	Art. No.
22	70	M50 x 1,5	33	43	10	M20	330	210	773	25120.0042

### Accessories

For height adjusting element size d <sub>2</sub> [mm]	Dimensions of sickle spanner DIN 1810, form A [mm]	[g]	Art. No.
<b>Sickle spanner for vertical adjustment</b> 70	68 – 75	253	25120.0985

### Application example

