

## Height Adjusting Elements

25120.0032



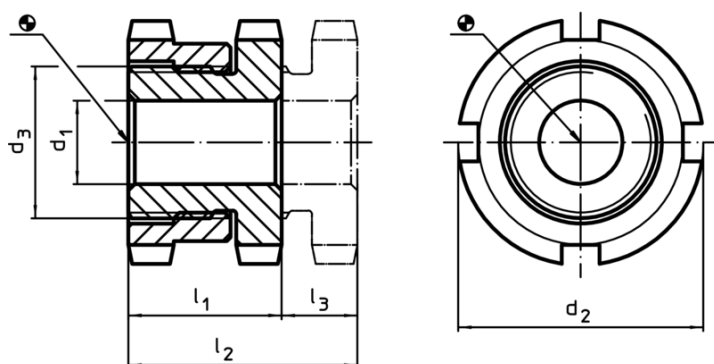
### Product Description

For levelling of machines and installations.  
For vertical adjustment, the self-locking height adjusting elements are fitted with a fine-pitch thread. All elements have a throughgoing bore for fastening purposes. A turn-out lock serves as height limit for the maximum adjustment height.

### Material

- Heat-treated steel, zinc-plated by galvanization, chromalized

### Drawing



### Order information

Dimensions		Stroke $l_3$ ~ [mm]	For screw [mm]	Load capacity for static load max. [kN]	Carrying force max. [kN]	[g]	Art. No.			
$d_1$	$d_2$							$d_3$	$l_1$ ~	$l_2$ ~
17,5	58	M40 x 1,5	28	37	9	M16	210	136	450	25120.0032

### Accessories

For height adjusting element size $d_2$ [mm]	Dimensions of sickle spanner DIN 1810, form A [mm]	[g]	Art. No.
<b>Sickle spanner for vertical adjustment</b>			
58	58 – 62	250	25120.0984

### Application example

