

Height Adjusting Elements

25120.0026



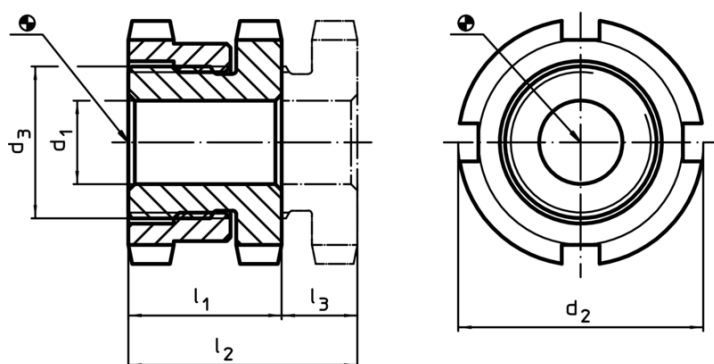
Product Description

For levelling of machines and installations.
For vertical adjustment, the self-locking height adjusting elements are fitted with a fine-pitch thread. All elements have a throughgoing bore for fastening purposes. A turn-out lock serves as height limit for the maximum adjustment height.

Material

- Heat-treated steel, zinc-plated by galvanization, chromalized

Drawing



Order information

| Dimensions | | Stroke l_3 ~ [mm] | For screw [mm] | Load capacity for static load max. [kN] | Carrying force max. [kN] | [g] | Art. No. | | | |
|------------|-------|------------------------------|-------------------|--|--------------------------------|-----|----------|-------|------------|------------|
| d_1 | d_2 | | | | | | | d_3 | l_1 ~ | l_2 ~ |
| 17,5 | 45 | M30 x 1,5 | 22 | 29 | 7 | M16 | 120 | 45,5 | 219 | 25120.0026 |

Accessories

| For height adjusting element size d_2 [mm] | Dimensions of sickle spanner DIN 1810, form A [mm] | [g] | Art. No. |
|--|---|-----|------------|
| Sickle spanner for vertical adjustment | | | |
| 45 | 45 – 50 | 156 | 25120.0983 |

Application example

