

## Height Adjusting Elements

25120.0022



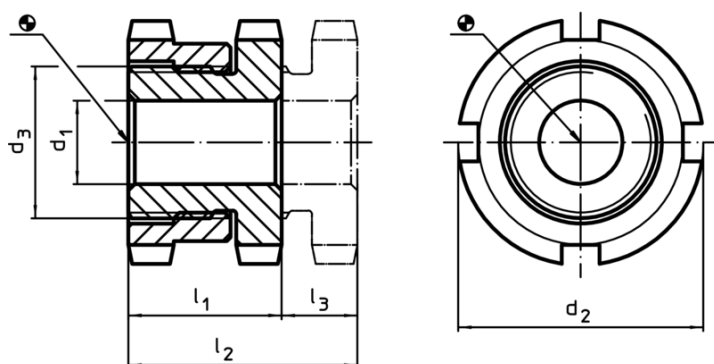
### Product Description

For levelling of machines and installations.  
For vertical adjustment, the self-locking height adjusting elements are fitted with a fine-pitch thread. All elements have a throughgoing bore for fastening purposes. A turn-out lock serves as height limit for the maximum adjustment height.

### Material

- Heat-treated steel, zinc-plated by galvanization, chromalized

### Drawing



### Order information

$d_1$	$d_2$	Dimensions $d_3$ [mm]	$l_1$ ~	$l_2$ ~	Stroke $l_3$ ~ [mm]	For screw [mm]	Load capacity for static load max. [kN]	Carrying force max. [kN]	[g]	Art. No.
11	45	M30 x 1,5	22	29	7	M10	120	92,9	246	25120.0022

### Accessories

For height adjusting element size $d_2$ [mm]	Dimensions of sickle spanner DIN 1810, form A [mm]	[g]	Art. No.
<b>Sickle spanner for vertical adjustment</b>			
45	45 – 50	156	25120.0983

### Application example

