

Height Adjusting Elements

25120.0006



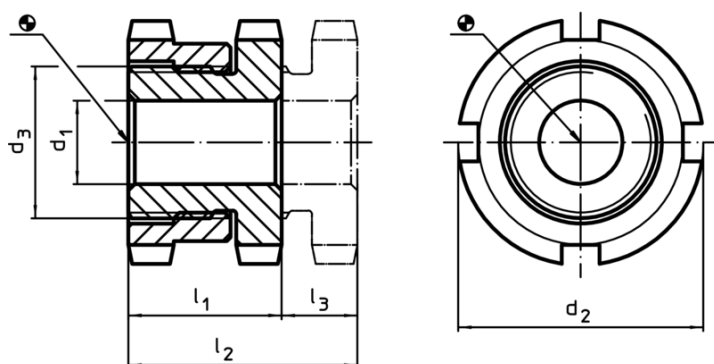
Product Description

For levelling of machines and installations.
For vertical adjustment, the self-locking height adjusting elements are fitted with a fine-pitch thread. All elements have a throughgoing bore for fastening purposes. A turn-out lock serves as height limit for the maximum adjustment height.


Material

- Heat-treated steel, zinc-plated by galvanization, chromalized


Drawing



Order information

d ₁	d ₂	Dimensions d ₃ [mm]	l ₁ ~	l ₂ ~	Stroke l ₃ ~ [mm]	For screw [mm]	Load capacity for static load max. [kN]	Carrying force max. [kN]	 [g]	Art. No.
6,6	25	M15 x 1	15	19	4	M6	40	30,7	43	25120.0006

Accessories

For height adjusting element size d ₂ [mm]	Dimensions of sickle spanner DIN 1810, form A [mm]	 [g]	Art. No.
Sickle spanner for vertical adjustment 25	25 – 28	45	25120.0981

Application example

