

## Quick Plug Couplings• with radial offset compensation

25100.0082

### Product Description

Quick plug coupling with radial offset compensation for multiple applications, e.g. as a link between a piston rod and a linear movement unit.



### Material

#### Claw

- Heat-treated steel, tempered, phosphated

#### Coupling part

- Heat-treated steel, tempered, phosphated

#### Lock nut

- Steel, black (ISO 4035/8675)

### Assembly

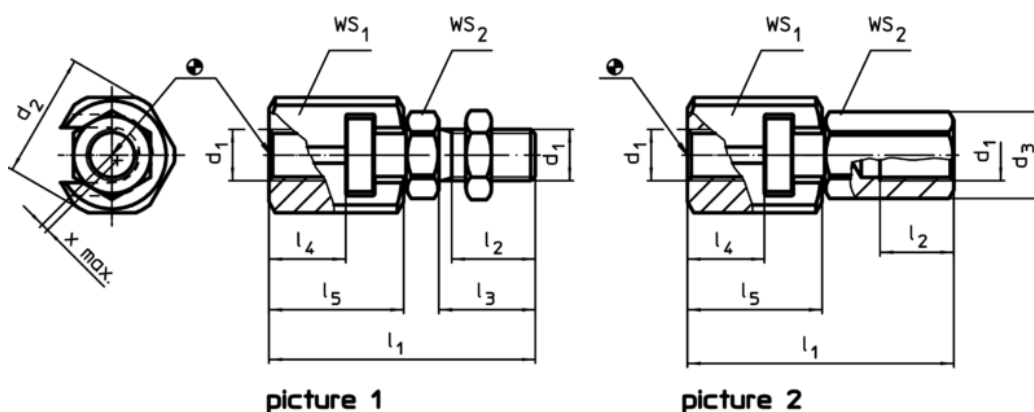
Assembly and disassembly of this simple, solid and two-part coupling is by means of a T-slot; a manual re-adjustment is not necessary. The quick plug coupling can be linked to all commonly used pneumatic and hydraulic lifting cylinders via the connecting thread.

### More information

### Notes

The quick plug coupling does not transmit any torque.

### Drawing



picture 1

picture 2

### Order information

d <sub>1</sub>	d <sub>2</sub>	Dimensions					WS		Axial offset x max. [mm]	Maximum tensile and compressive load max. [kN]	[g]	Art. No.
		d <sub>3</sub>	l <sub>1</sub> ~ [mm]	l <sub>2</sub> min.	l <sub>4</sub> min.	l <sub>5</sub>	WS <sub>1</sub>	WS <sub>2</sub>				
with coupling nut – picture 2												
M12 x 1,25	32,5	21,2	66,7	17,5	17	34	30	19	0,8	10	221	25100.0082

Application example

