

Quick Plug Couplings• with radial offset compensation

25100.0008

Product Description

Quick plug coupling with radial offset compensation for multiple applications, e.g. as a link between a piston rod and a linear movement unit.



Material

Claw

- Heat-treated steel, tempered, phosphated

Coupling part

- Heat-treated steel, tempered, phosphated

Lock nut

- Steel, black (ISO 4035/8675)

Assembly

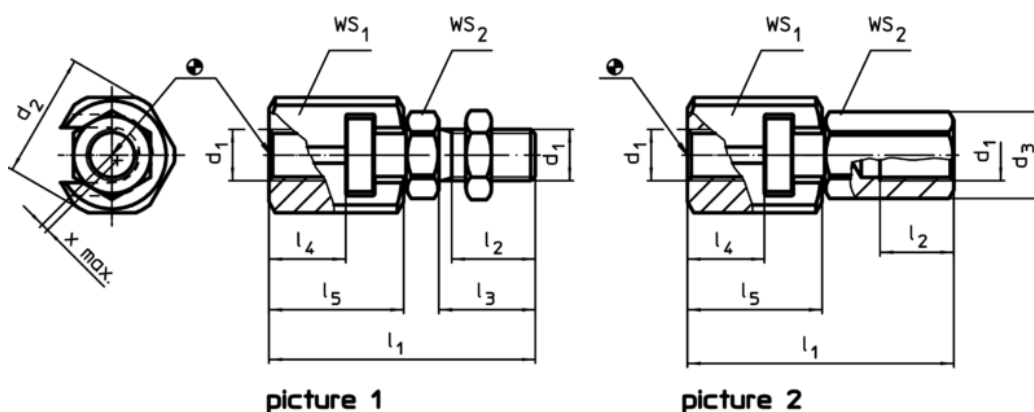
Assembly and disassembly of this simple, solid and two-part coupling is by means of a T-slot; a manual re-adjustment is not necessary. The quick plug coupling can be linked to all commonly used pneumatic and hydraulic lifting cylinders via the connecting thread.

More information

Notes

The quick plug coupling does not transmit any torque.

Drawing



picture 1

picture 2

Order information

d ₁	d ₂	l ₁ ~	Dimensions				l ₅	WS		Axial offset x max. [mm]	Maximum tensile and compressive load max. [kN]	[g]	Art. No.
			l ₂ min. [mm]	l ₃	l ₄ min.	WS ₁		WS ₂					
with coupling screw – picture 1													
M8	26	45	13,5	17	11,5	22,5	24	13	0,7	4,5	86	25100.0008	

Application example

