

Set Collars with sensor adaptor
25070.0024



Product Description

Clamping rings are provided with a fastening possibility for sensors, switches etc. Universal applicability, e.g. as a limit switch on a piston rod.
Clamping ring made of stainless steel with strong clamping force.

Material

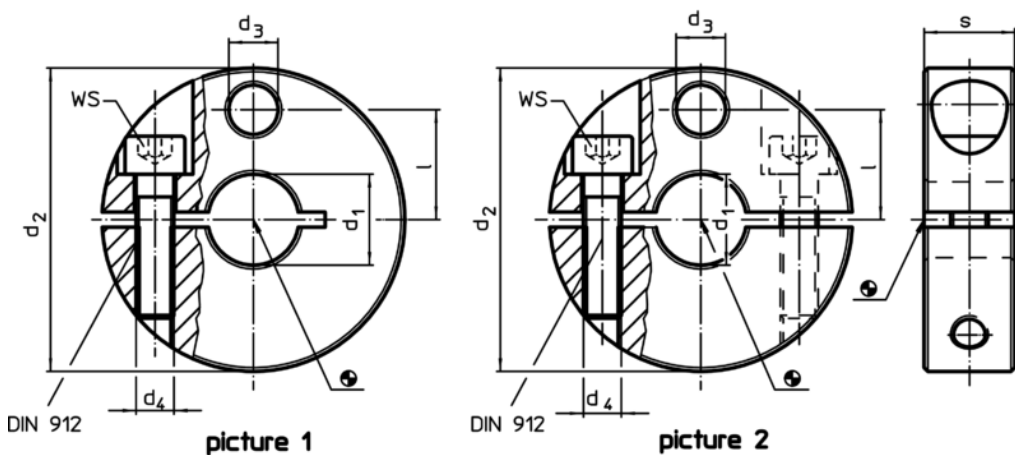
Screw

- Stainless steel

Set collar

- Stainless steel 1.4021

Drawing



Order information

Dimensions						WS		Art. No.
d ₁	d ₂	d ₃	d ₄	l	s	WS		
[mm]						[mm]	[g]	
H8	-0,5							
slotted – picture 1								
24	65	13	M8	23,5	18	6	349	25070.0024

Application example

