

Set Collars

25069.0112



Product Description

Set collars with universal applicability, e.g. as a fixed stop.
Set collars with strong clamping force.

Material

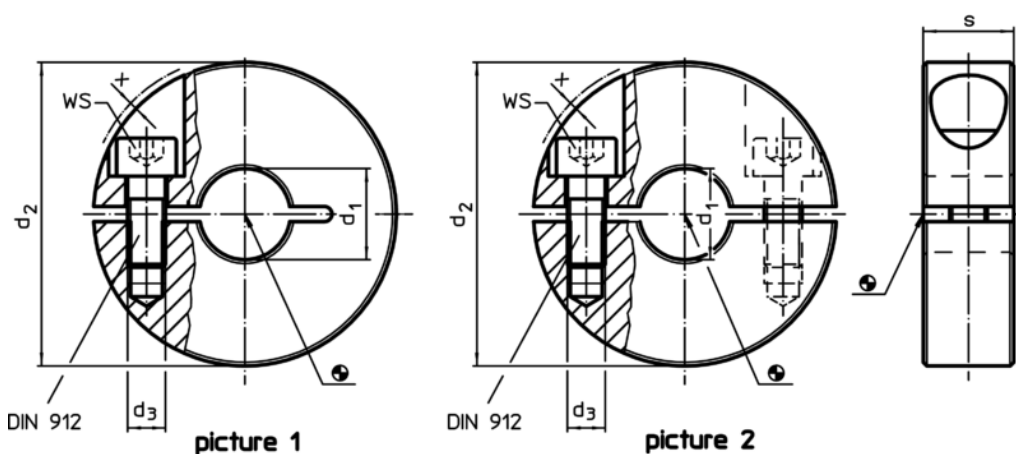
Screw

- Stainless steel

Set collar

- Stainless steel 1.4404

Drawing



Order information

Dimensions					WS		Art. No.
d_1	d_2	d_3	s	x	[mm]	[g]	
H10		[mm]					
slotted – picture 1, Stainless steel							
12	30	M4	11	0,7	3	42	25069.0112

Application example

