

Set Collars

25069.0035



Product Description

Set collars with universal applicability, e.g. as a fixed stop.
Set collars with strong clamping force.

Material

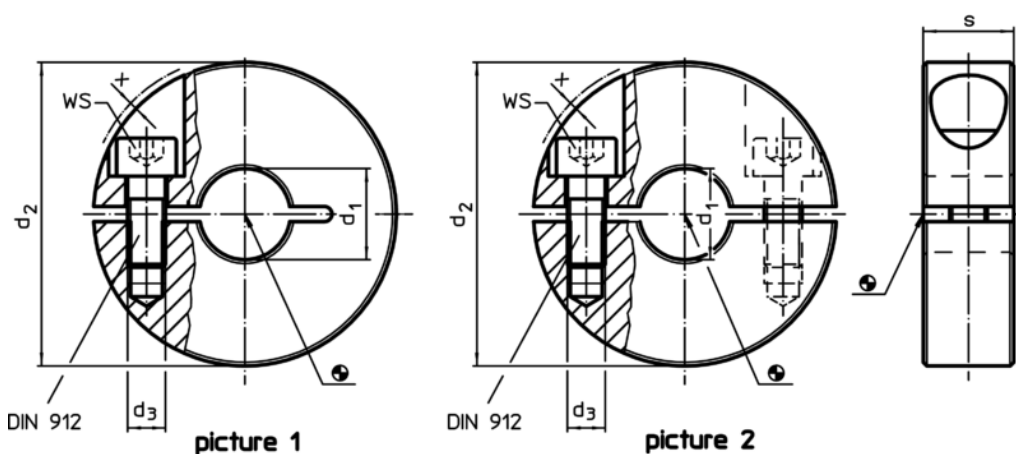
Screw

- Steel

Set collar

- Steel, black, steam oxidized

Drawing



Order information

d ₁ H10	d ₂	Dimensions			x	WS [mm]	[g]	Art. No.
		d ₃ [mm]	s					
slotted – picture 1, Steel								
35	60	M6	15	0,4	5	180	25069.0035	

Application example

