

Tapered Shaft Hubs• no lock nut

25050.0025



Product Description

By using tapered shaft hubs, all shaft-hub joints of machine elements such as sprocket wheels, gear wheels, belt pulleys, cams, levers etc. can be easily and efficiently established. It is a self-centering and non-floating tapered shaft hub in corrosion-protected design with a hexagon nut. The rotational accuracy is 0,03 mm.

Material

External part

- Steel, zinc-plated by galvanization

Inner part

- Steel, nickel-plated

Nut

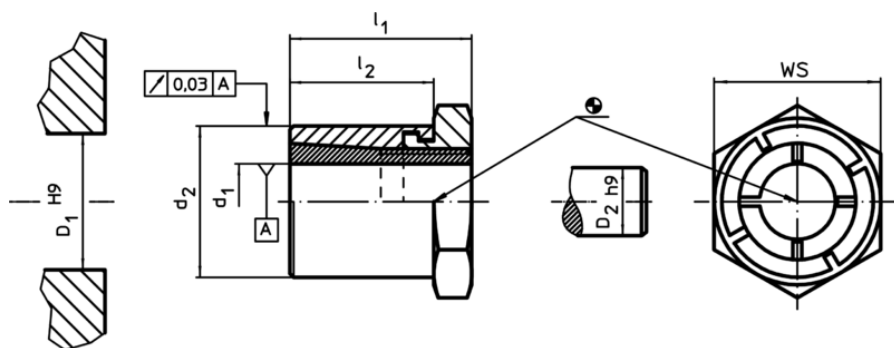
- Steel, nickel-plated

More information

References

Mounting instructions, mounting arrangements and technical data will be found on the following pages.

Drawing



Order information

Dimensions				WS	Tightening torque of the nut T_A max.	Transferable torque M max.	Transferable thrust load F_a max.	Surface pressure shaft p_w max.	Surface pressure hub p_N max.	Hub bore D_1 H9	Shaft diameter D_2 h9	Art. No.	
d_1	d_2	l_1	l_2										[mm]
25	42	41	30	46	250	397	31,8	173	110	42	25	315	25050.0025

Accessories

WS	Art. No.
[mm]	[g]
special fork wrench	
46	612
	25050.0846

Application example

