

## Sensing Elements• with actuating bolt, protected against rotating

25020.0016

### Product Description

Spring plunger with position sensing by means of an actuating bolt which is protected against rotating. Suitable for multiple applications, e.g. as lift-off pin in tools with position control. Depending on the selected version, the tip is either round or pointed or fitted with a connection thread for all-purpose use. At the fastening thread of the actuating bolt, a switching element can be fitted which is secured against rotating and suitable for all commonly used switches.



### Material

#### Body

- Free cutting steel, blackened

#### Nut

- Steel, black (ISO 4035)

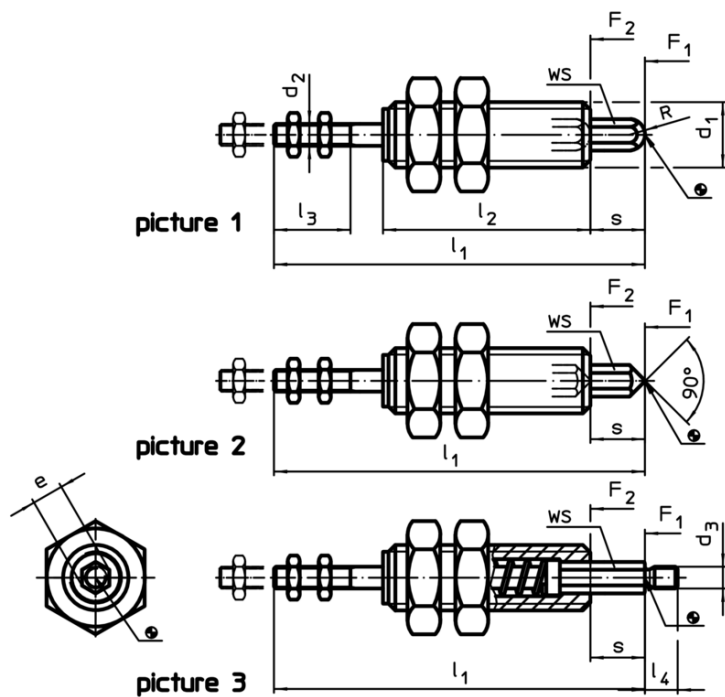
#### Actuating bolt

- Steel, nitrided, black

#### Spring

- Stainless steel

### Drawing



### Order information

d <sub>1</sub>	s	d <sub>2</sub>	Dimensions					R	WS	Spring load <sup>1)</sup>		[g]	Art. No.
			e	l <sub>1</sub>	l <sub>2</sub>	l <sub>3</sub>	min.			F <sub>1</sub>	F <sub>2</sub>		
			[mm]				[mm]	[mm]	[N]	[N]			
<b>tip, round – picture 1</b>													
M16	12	M5	6,9	78	42	16	3,5	6	7,5	13,8	87	25020.0016	

<sup>1)</sup> statistical average value

Application example

