

Sensing Elements• with actuating bolt, protected against rotating

25020.0012

Product Description

Spring plunger with position sensing by means of an actuating bolt which is protected against rotating. Suitable for multiple applications, e.g. as lift-off pin in tools with position control. Depending on the selected version, the tip is either round or pointed or fitted with a connection thread for all-purpose use. At the fastening thread of the actuating bolt, a switching element can be fitted which is secured against rotating and suitable for all commonly used switches.



Material

Body

- Free cutting steel, blackened

Nut

- Steel, black (ISO 4035)

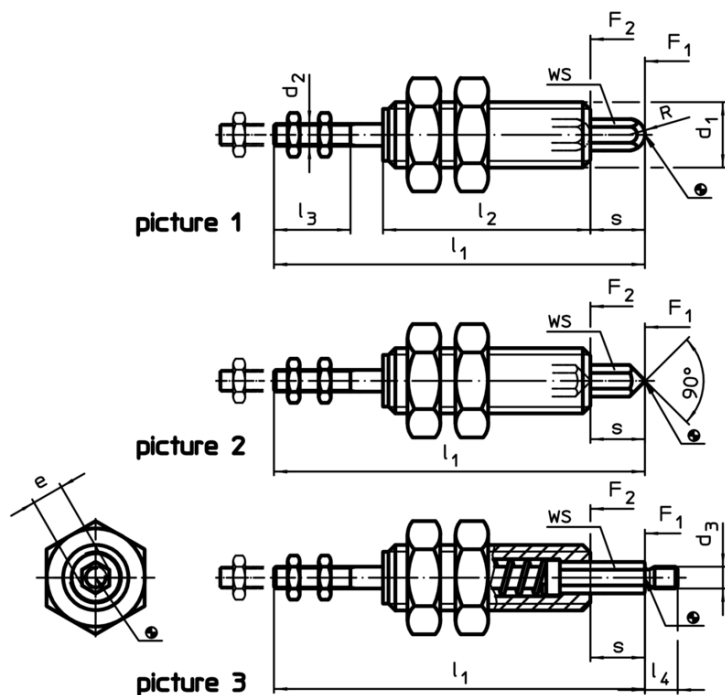
Actuating bolt

- Steel, nitrided, black

Spring

- Stainless steel

Drawing



Order information

| d ₁ | s | d ₂ | Dimensions | | | | | WS | Spring load ¹⁾ | | Art. No. | |
|-------------------------------|----|----------------|------------|----------------|----------------|------------------------|-----|------|---------------------------|----------------|----------|------------|
| | | | e | l ₁ | l ₂ | l ₃ min. | R | | F ₁ | F ₂ | | |
| | | | [mm] | | | | | [mm] | [N] | [g] | | |
| tip, round – picture 1 | | | | | | | | | | | | |
| M12 | 10 | M4 | 5,8 | 68 | 38 | 14 | 2,9 | 5 | 5,1 | 11 | 44 | 25020.0012 |

¹⁾ statistical average value

Application example

