

Sensing Elements • with sensor adaptor

25010.0012

Product Description

Spring plunger in robust and compact design with fine-pitch thread and integrated position sensing using standard proximity sensors. Suitable for multiple applications, e.g. for locking including position control and for proximity sensors with **flush contact**. Switching range adjustable via screwed position of sensor. Sensitivity of switching operations can be adjusted throughout the entire stroke.



Material

Pin

- Stainless steel 1.4305

Housing

- Stainless steel 1.4305

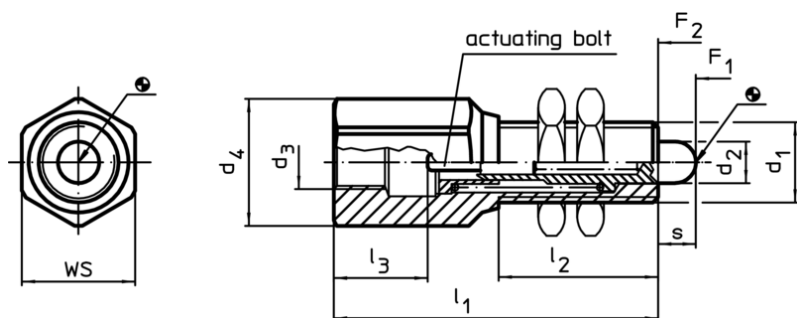
Nut

- Brass (ISO 4035), nickel-plated

Spring

- Stainless steel

Drawing



Order information

Dimensions								WS	Spring load ¹⁾		Art. No.	
d ₁	d ₂	d ₃	d ₄	l ₁	l ₂	l ₃	s		F ₁	F ₂		
[mm]								[mm]	[N]		[g]	
M12 x 1	6,2	M8 x 1	19	44	20	15,5	5,6	17	24	41,5	57	25010.0012

¹⁾ statistical average value

Application example

