

## High Knurled Nuts (with collar) · DIN 466

24780.0300

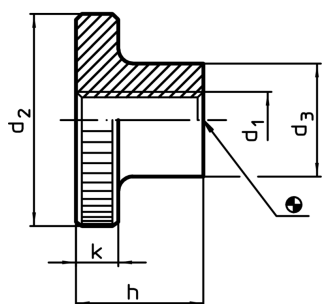


### Product Description

#### Material

- Stainless steel 1.4301, dull blasted

### Drawing



### Order information

| $d_1$           | $d_2$ | Dimensions |     |      | $k$ | [g]        | Art. No. |
|-----------------|-------|------------|-----|------|-----|------------|----------|
|                 |       | $d_3$      | $h$ | [mm] |     |            |          |
| Stainless steel |       |            |     |      |     |            |          |
| M10             | 36    | 20         | 23  | 8    | 85  | 24780.0300 |          |

### Application example

