

High Knurled Nuts (with collar) · DIN 466

24780.0280

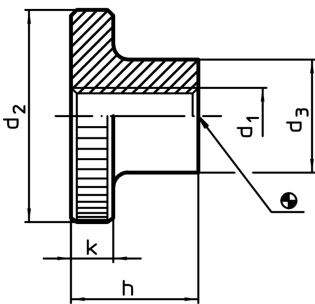


Product Description

Material

- Stainless steel 1.4301, dull blasted

Drawing



Order information

d ₁	d ₂	Dimensions			k	[g]	Art. No.	
		d ₃ [mm]						
Stainless steel								
M8	30	16			18	6	44	24780.0280

Application example

