

High Knurled Nuts (with collar) · DIN 466

24780.0100

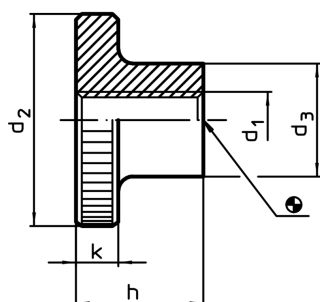


Product Description

Material

- Steel, blackened, quality 5

Drawing



Order information

d ₁	d ₂	Dimensions			k	[g]	Art. No.
		d ₃	h	[mm]			
Steel							
M10	36	20	23	8	85	24780.0100	

Application example

