

Grub Screws with Star Grip• Plastic

24750.0100



Product Description

Material

Cap

- Thermoplastic PA, black similar to RAL 9005

Handle

- Thermoplastic PA 6, black similar to RAL 9005

Screw

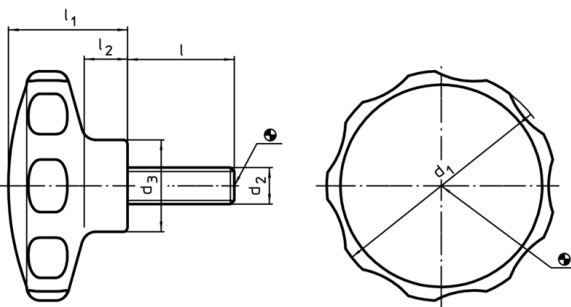
- Stainless steel

More information

Notes

Special types, e.g. differing threads or thread lengths, on request.

Drawing



Order information

Dimensions						min.	max.	[g]	Art. No.
d ₁	d ₂	l	d ₃	l ₁	l ₂				
[mm]						[°C]			
black									
30	M4	10	14	19	7	-30	80	6,1	24750.0100

Application example

