

Star Grips• DIN 6336 stainless steel die-cast  
24661.0450

Product Description

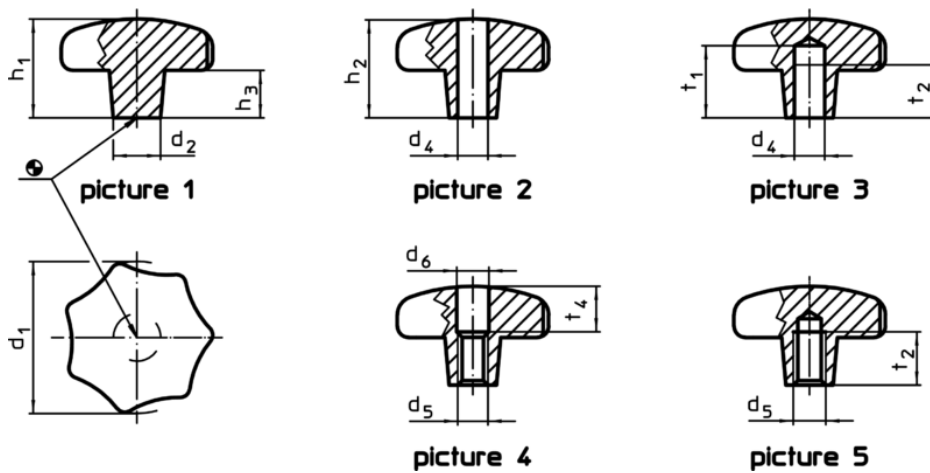


Material

Handle

- Stainless steel A2, dull blasted

Drawing



Order information

d <sub>1</sub>	d <sub>2</sub>	Dimensions			[g]	Art. No.
		d <sub>5</sub> [mm]	h <sub>2</sub>	t <sub>2</sub>		
with threaded blind hole, form E – picture 5						
50	18	M10	32	18	165	24661.0450