

Star Grips • DIN 6336 stainless steel die-cast
24661.0050

Product Description

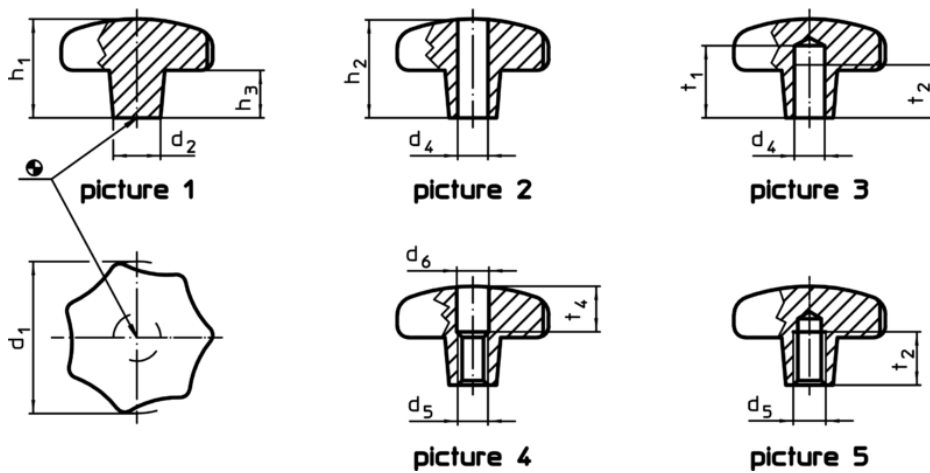


Material

Handle

- Stainless steel A2, dull blasted

Drawing



Order information

d ₁	Dimensions				[g]	Art. No.
	d ₂	h ₁	h ₃	[mm]		
raw part, form A – picture 1						
50	18	34	17		181	24661.0050