

Star Grips • DIN 6336 stainless steel die-cast  
24661.0040

Product Description

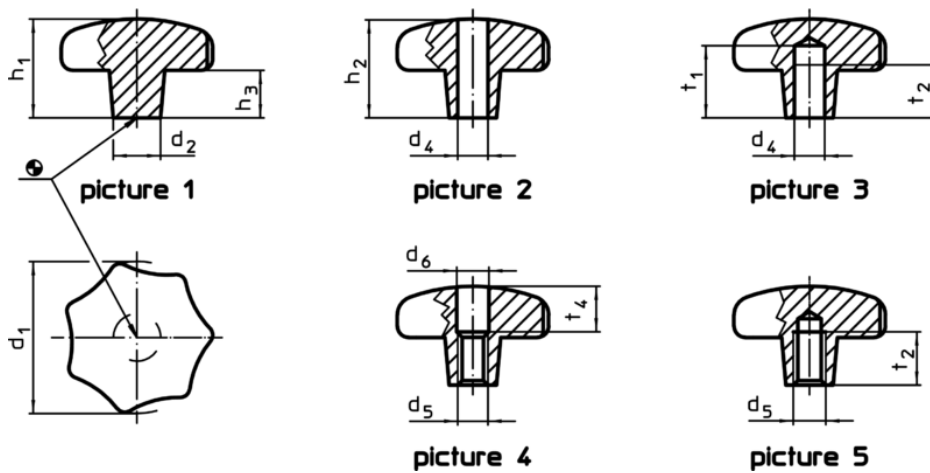


Material

Handle

- Stainless steel A2, dull blasted

Drawing



Order information

d <sub>1</sub>	Dimensions		h <sub>1</sub>	h <sub>3</sub>	[g]	Art. No.
	d <sub>2</sub>	[mm]				
raw part, form A – picture 1						
40	14		26	13	85	24661.0040