

Palm Grips• DIN 6335 cast iron
24620.0340



Product Description

Sandblasted or tumbled.

Material

Handle

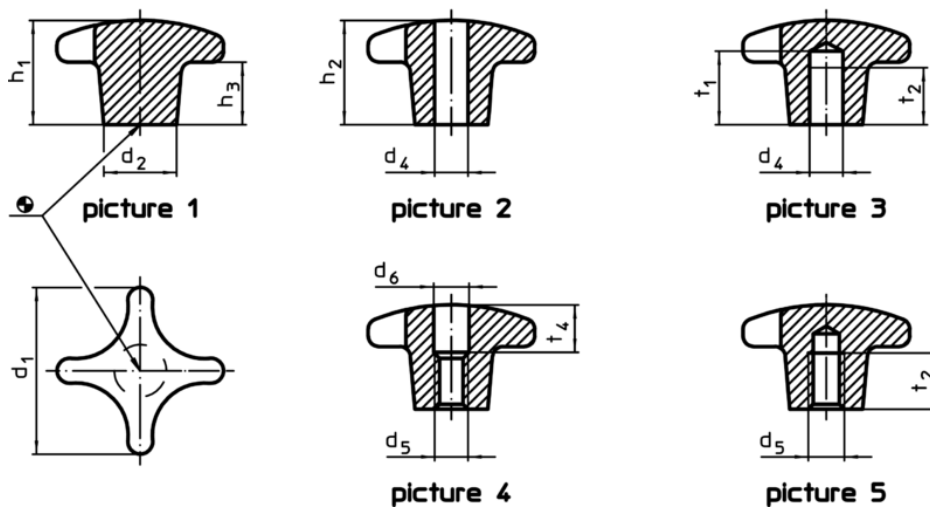
- Grey cast iron GG 20, bright

More information

Notes

Grips with different bores or surface treatment can be obtained on request.

Drawing



Order information

Dimensions						[g]	Art. No.
d ₁	d ₂	d ₅	d ₆	h ₂	t ₄		
with thread, drilled out, form D – picture 4							
40	14	M8	8,4	25	12	60	24620.0340