

Palm Grips• DIN 6335 cast iron
24620.0290



Product Description

Sandblasted or tumbled.

Material

Handle

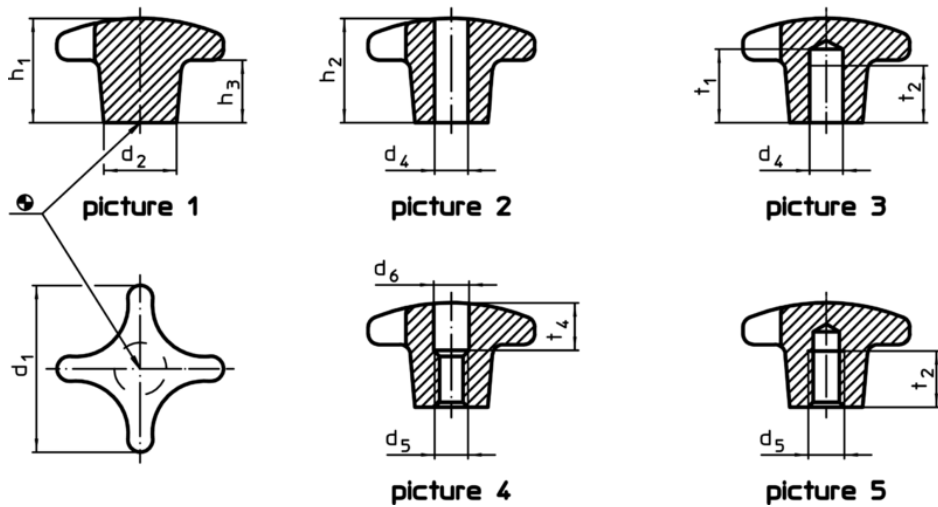
- Grey cast iron GG 20, bright

More information

Notes

Grips with different bores or surface treatment can be obtained on request.

Drawing



Order information

Dimensions						[g]	Art. No.
d ₁	d ₂	d ₄ H7	h ₂	t ₁	t ₂		
with smooth blind hole, form C – picture 3							
100	32	20	63	40	36	706	24620.0290