

## Disc-Type Handwheels· DIN 3670

24570.0120



### Product Description

There are gripping indentations on the rear sides.  
Hub machined; rim turned and mirror-finished on all sides, non-machined surfaces cleanly blasted.

### Material

#### Handwheel

- Aluminium permanent-mould casting

### Assembly

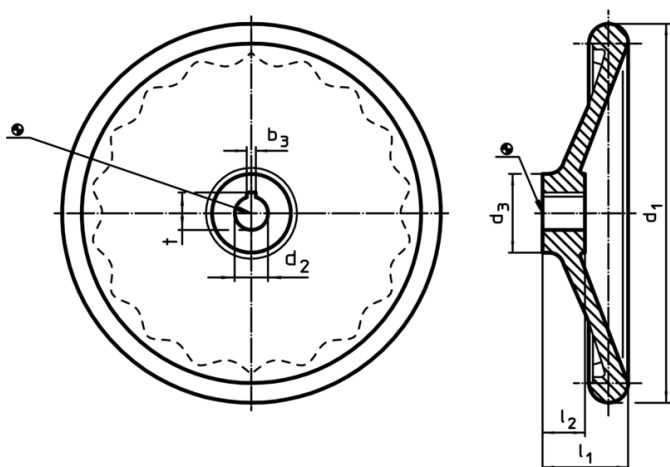
Shaft-end washers EH 22270. for axial fastening.

### More information

### Further products

- Shaft-End Washers

### Drawing



The orientation of the hub keyway may be different than shown in the drawing.

### Order information

Dimensions					[g]	Art. No.
d <sub>1</sub>	d <sub>2</sub> H7	d <sub>3</sub> [mm]	l <sub>1</sub> ~	l <sub>2</sub>		
without steel bushing, form B, without keyway						
160	14	36	40	20	477	24570.0120

### Application example

