

Disc-Type Handwheels· DIN 3670

24570.0106



Product Description

There are gripping indentations on the rear sides.
Hub machined; rim turned and mirror-finished on all sides, non-machined surfaces cleanly blasted.

Material

Handwheel

- Aluminium permanent-mould casting

Assembly

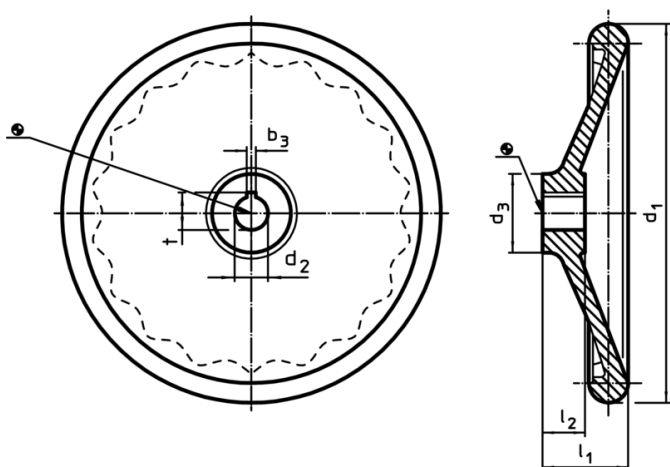
Shaft-end washers EH 22270. for axial fastening.

More information

Further products

- Shaft-End Washers

Drawing



The orientation of the hub keyway may be different than shown in the drawing.

Order information

| Dimensions | | | | | [g] | Art. No. |
|---|----------------------|------------------------|---------------------|----------------|-----|------------|
| d ₁ | d ₂ H7 | d ₃ [mm] | l ₁ ~ | l ₂ | | |
| without steel bushing, form B, without keyway | | | | | | |
| 100 | 12 | 28 | 33 | 17 | 194 | 24570.0106 |

Application example

