

Ball Knobs· DIN 319
24560.0116



Product Description

The DIN 319 ball knobs are jointless and polished.

Material

Bushing

- Brass

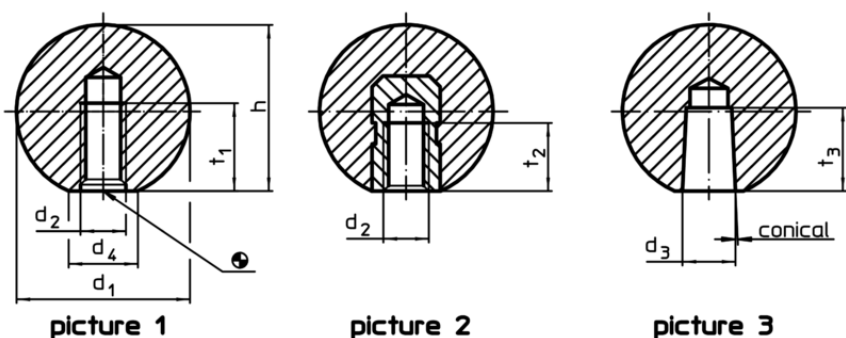
Ball

- DIN 7708 - Thermosetting plastic (PF 31), black similar to RAL 9005

Assembly

Assembly instruction for form M: Fitted by lightly tapping with a hammer, holds in position without being cemented. For the counter element a h9-fit is sufficient.

Drawing



Order information

Dimensions					🌡️	📦	Art. No. ¹⁾
d ₁	d ₂	d ₄ ~ [mm]	h ~	t ₂ min.	max. [°C]	[g]	
with threaded bushing, form E – picture 2, black							
16	M4	8	15	6	110	5,1	24560.0116

¹⁾ bushing from brass

Application example

