

**Ball Knobs· DIN 319**  
24560.0032



**Product Description**

The DIN 319 ball knobs are jointless and polished.

**Material**

**Bushing**

- Steel, zinc-plated by galvanization

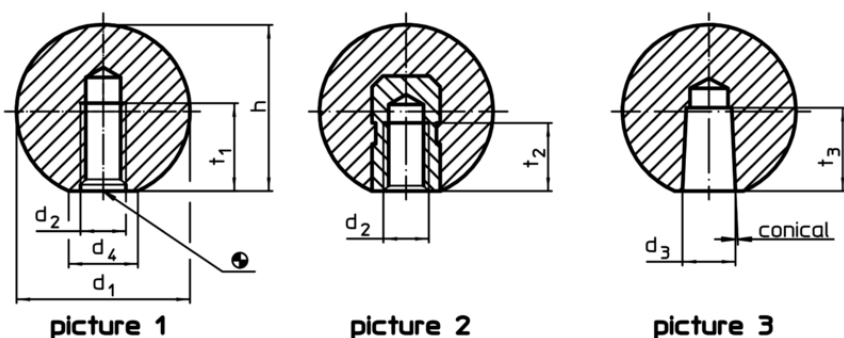
**Ball**

- DIN 7708 - Thermosetting plastic (PF 31), black similar to RAL 9005

**Assembly**

**Assembly instruction for form M:** Fitted by lightly tapping with a hammer, holds in position without being cemented. For the counter element a h9-fit is sufficient.

**Drawing**



**Order information**

Dimensions					max. [°C]	[g]	Art. No.
d <sub>1</sub>	d <sub>2</sub>	d <sub>4</sub> ~ [mm]	h ~	t <sub>1</sub> min.			
with moulded material thread, form C – picture 1, black							
32	M8	18	29	14	110	22	24560.0032

**Application example**

