

Mushroom-Type Knobs

24540.0133



Product Description

Material

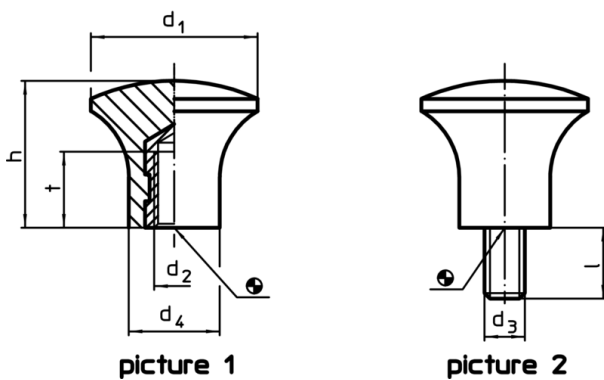
Button-Handle

- Thermosetting plastic PF 31, black

Screw

- Steel, zinc-plated by galvanization

Drawing



Order information

| Dimensions | | | | | max. [°C] | [g] | Art. No. |
|------------------------|----------------|-----------|----------------|----|--------------|-----|------------|
| d ₁ | d ₃ | l [mm] | d ₄ | h | | | |
| with screw – picture 2 | | | | | | | |
| 33 | M8 | 14 | 18 | 29 | 110 | 23 | 24540.0133 |

Application example

